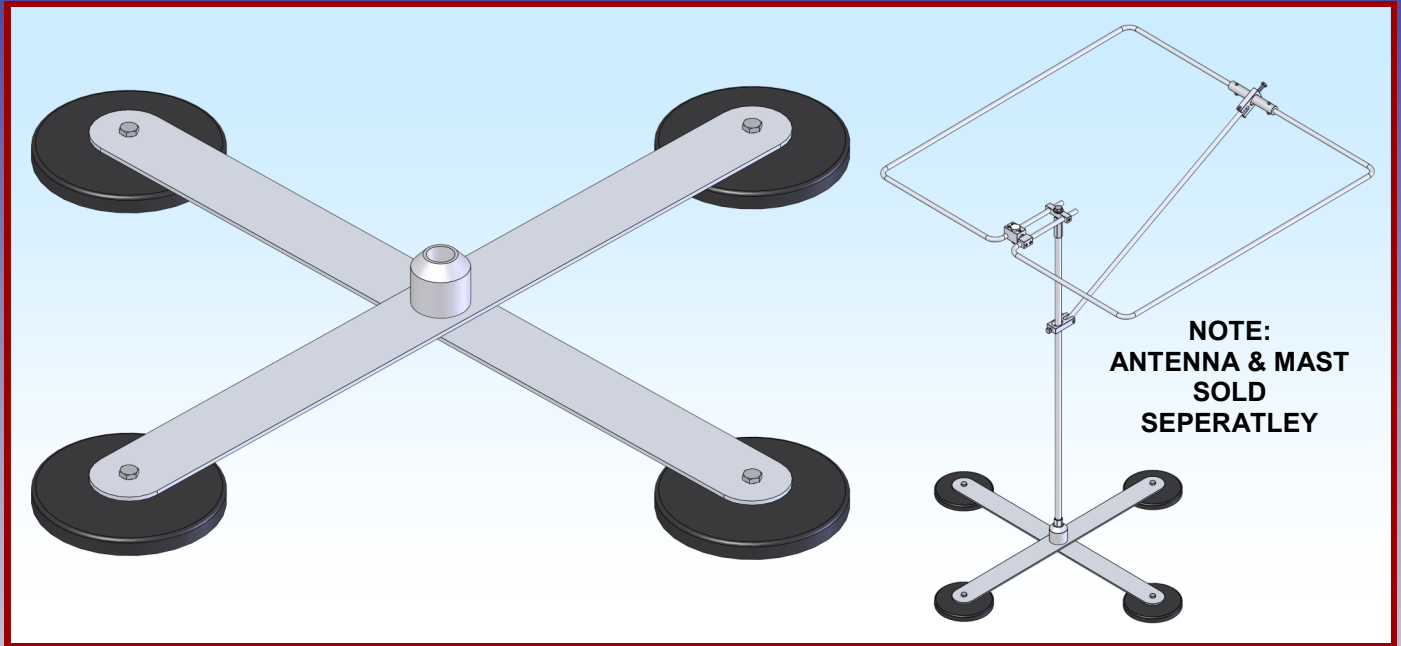




# M2 Antenna Systems, Inc.

## Model No: FGBIGFOOT

### BIG FOOT MAG MOUNT



#### SPECIFICATIONS:

Model .....BGMAGMNT  
 Dimensions.....26-3/4" X 26-3/4"  
 Weight .....10 lbs.  
 Shipping Weight .....12 lbs.

#### WARNING:

**NEWER VEHICLES LACK STEEL MATERIAL ON ROOF TOPS. IF NECESSARY GUY BIG FOOT TO ROOF TOP. NOTE: USE MYLAR COVERS TO AVOID PAINT SCRATHCES.**

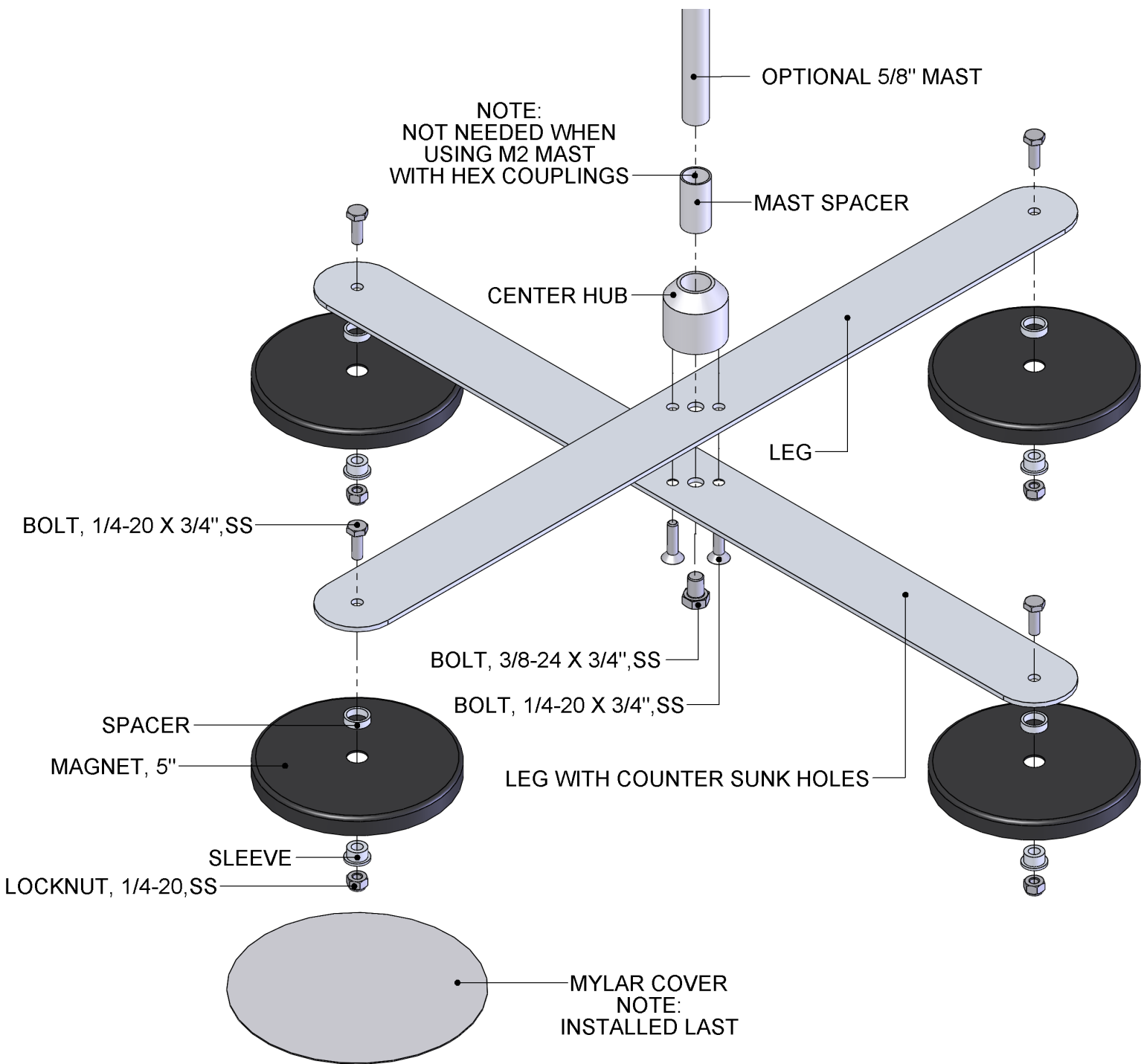
#### FEATURES:

Vehicle construction and materials are evolving. **M<sup>2</sup>** is changing with the times to provide products that meet amateurs needs. **BIG FOOT** is a perfect example. Vehicle roofs are becoming thinner and thinner providing less and less steel for use with magnetic bases. We have come up with the '**BIG FOOT**' configuration to adapt to these conditions. The aluminum bars forming the base of **BIG FOOT** are flexible and long (22" center to center). The flexibility acts like a spring and greatly reduces the instantaneous stress on the magnets. The extended length spreads the load over a much wider area of the vehicle roof surface. We have also added an extra magnet to even out the holding power in all directions. Large, 5 inch diameter magnets are used again to help spread the wind and shock load of the antenna over a greater area. All these changes provide a very effective "shock absorber", minimizing the chances that the **BIG FOOT** will ever come loose from the motion or speed of the vehicle.

#### USES:

**BIG FOOT** supports all of the above combinations but we know there are other types of antennas that need the **BIG FOOT** holding power. HF single and multiband antennas always perform better from the roof of a car than the bumper. The optional base insulator kit (Coming Soon!) allows base feeding and the four large magnets provide a superb coupling to the groundplane of the vehicle. Other uses might be to support **EGGBEATERS** for terrestrial and **OSCAR** use or specialized "T" hunt antennas. Of course, putting your own creation or some competitive antenna on our **BIG FOOT** would shock us but we would probably get over it! We know you'll find some unique uses that we would never think of. Surprise us!

# ASSEMBLY MANUAL



# BF MAG MOUNT PARTS & HARDWARE

DESCRIPTION.....	QTY
BIG FOOT LEGS, 2" X 0.125 X 24".....	2
MAGNET, 5" BLACK.....	4
BIG FOOT CENTER HUB.....	1
MAGNET COVER, MYLAR 5".....	4
BIG FOOT SLEEVE.....	4
BIG FOOT SPACER.....	4
MAST SPACER, 3/4" X 1-3/8".....	1
ASSEMBLY MANUAL.....	1

## HARDWARE:

BOLT, 3/8-24 X 3/4", SS.....	1
BOLT, 1/4-20 X 3/4", FLAT HD, SS.....	2
BOLT, 1/4-20 X 3/4", HEX HD, SS.....	4
LOCKNUT, 1/4-20, SS.....	4
ALLEN WRENCH, 5/32".....	1

## M<sup>2</sup> ANTENNA SYSTEMS, INC.

4402 N. SELLAND AVE.

FRESNO, CA 93722

(559) 432-8873 FAX: 432-3059

[www.m2inc.com](http://www.m2inc.com) Email: [sales@m2inc.com](mailto:sales@m2inc.com)