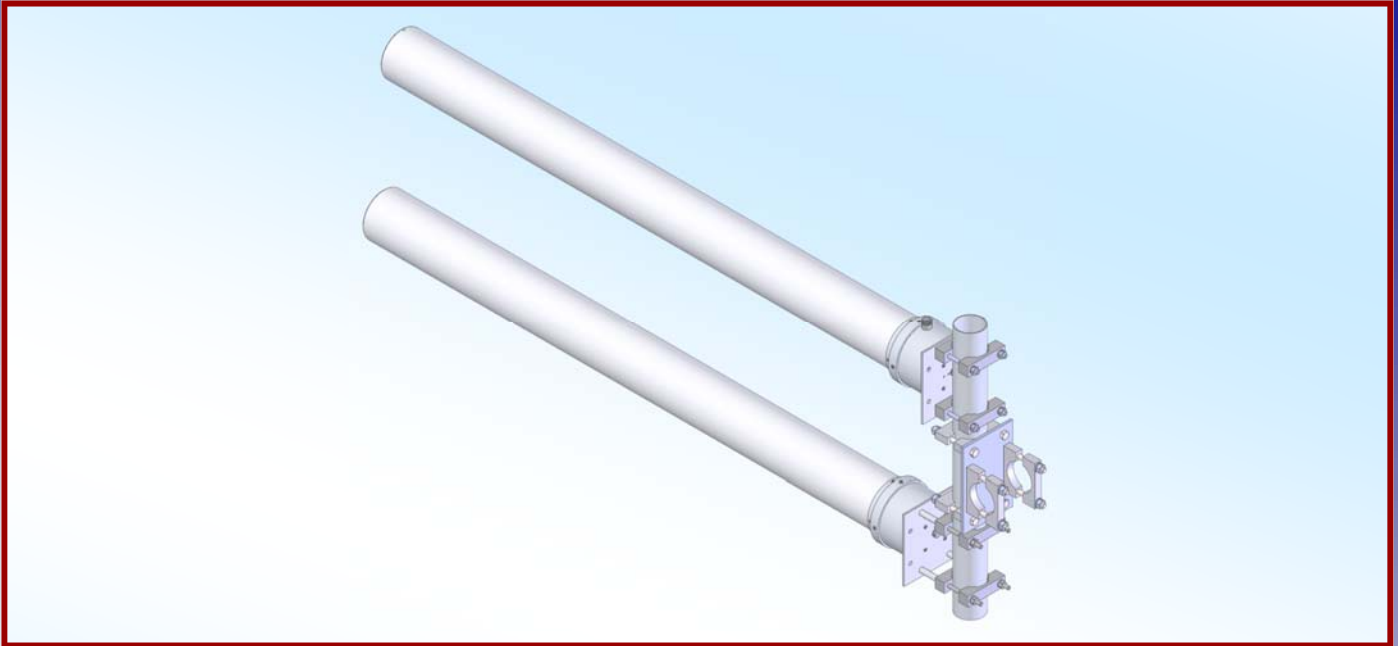




M2 Antenna Systems, Inc. Model No: 1975-23X2CP



SPECIFICATIONS:

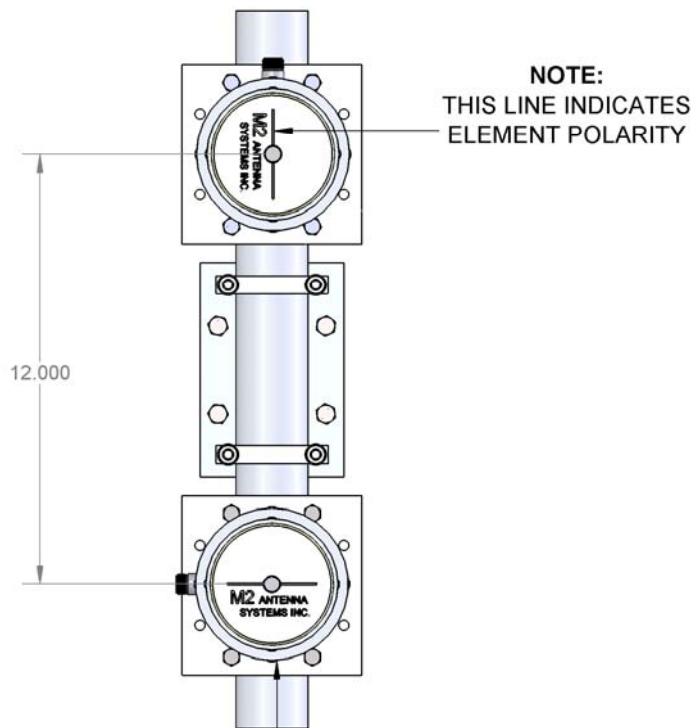
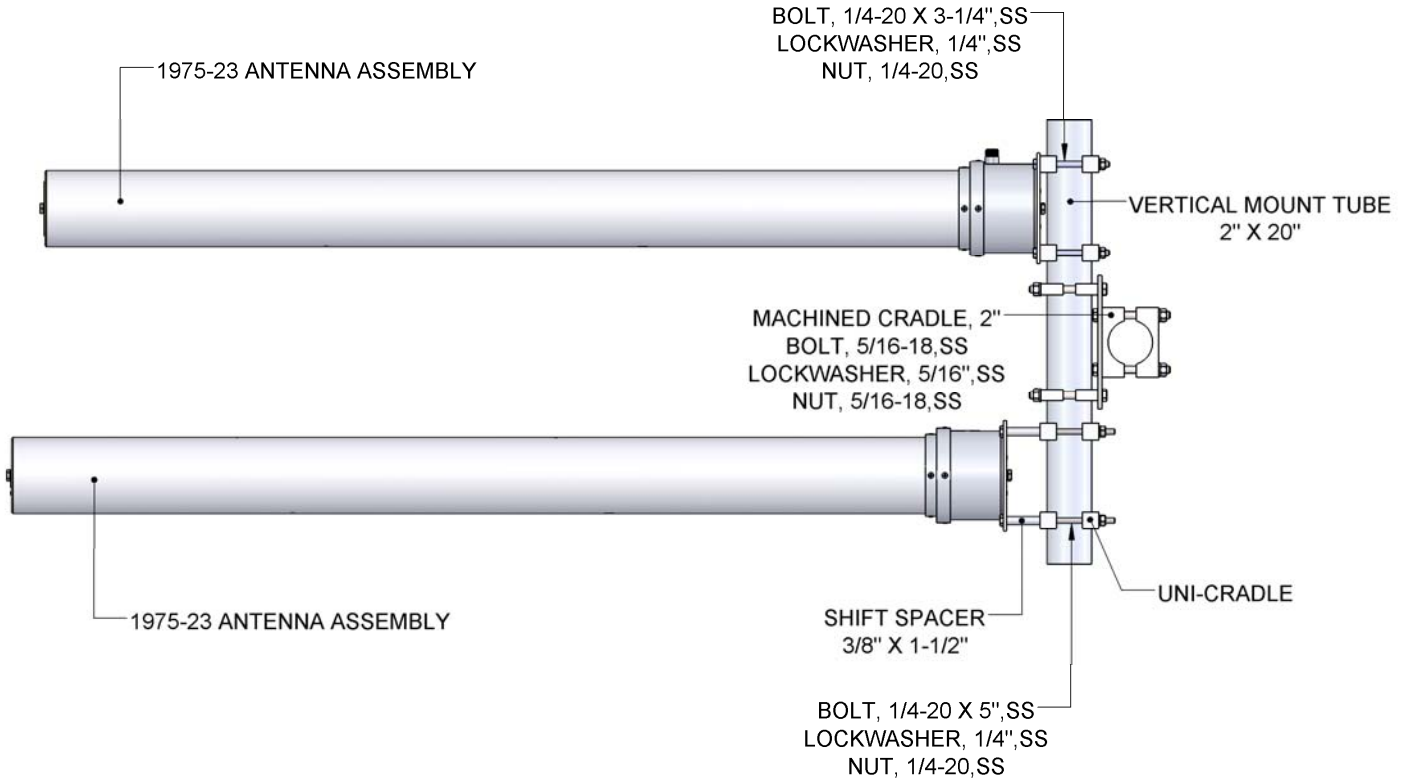
Model	1975-23X2CP	Input Connector	"N" Female
Frequency Range	1925 To 2075 MHz	System Polarity	RHC
Usable Range	1900-2100 MHz	Power Handling	500 Watts
System*Gain	17.25 dBic	Boom Length / Dia	46"
Front to back	20 dB Typical	Stacking Distance	12"
Beamwidth	E=26° H=28°	Mast Size.....	1-1/4" to 2"
Feed type	Horn	Wind area / Survival	0.75 Sq. Ft. / 100MPH
Feed Impedance.	50 Ohms Unbalanced	Weight / Ship Wt.	2 Lbs. / 5 Lbs.
VSWR	1.2:1 Typical		

***Subtract 2.14 from dBi for dBd**

FEATURES:

The **1975-23X2CP** is a high gain, Wave Guide Fed Yagi system. Computer optimized for use in the 1975-2075 MHz band. The low-loss Polyethylene Radome covers and adds to the strength of the antenna. Vertical or Horizontal polarization is achieved simply by rotating the antenna 90 degrees.

1975-23 ASSEMBLY MANUAL



NOTE:
 IF ANTENNA IS ELEVATED
 PAST HORIZONTAL
 WATER MAY SETTLE INSIDE CUP.

DRILL 1/8" DRAIN HOLE ON
 UNDERSIDE OF CUP
 IF NESECARY.

1975-23X2CP PARTS & HARDWARE

DESCRIPTION	QTY
1975-23 ANTENNA ASSEMBLY	2
1975-23 SHIFT SPACER, 3/8" X .058 X 1-1/2"	4
VERTICAL MOUNT TUBE, 2" X .058 X 20"	1
VERTICAL MOUNT PLATE, 4" X 6" (M2APT0021).....	1
POWER DIVIDER, 2000 2PT PD	1
PHASING LINES, 16" RG-303	2
ASSEMBLY MANUAL	1

IN HARDWARE BAGS:

M-CRADLE, 2" (M2AMC0130)	8
UNI-CRADLE, (M2AMC0076)	4
BOLT, 5/16-18 X 3-1/4",SS	8
LOCKWASHER, 5/16", SS	8
NUT, 5/16-18,SS	8
BOLT, 1/4-20 X 5", HEX HD, SS	4
BOLT, 1/4-20 X 3-1/4", HEX HD, SS	4

M² ANTENNA SYSTEMS, INC.

4402 N. SELLAND AVE.

FRESNO, CA 93722

(559) 432-8873 FAX: 432-3059

www.m2inc.com Email: sales@m2inc.com