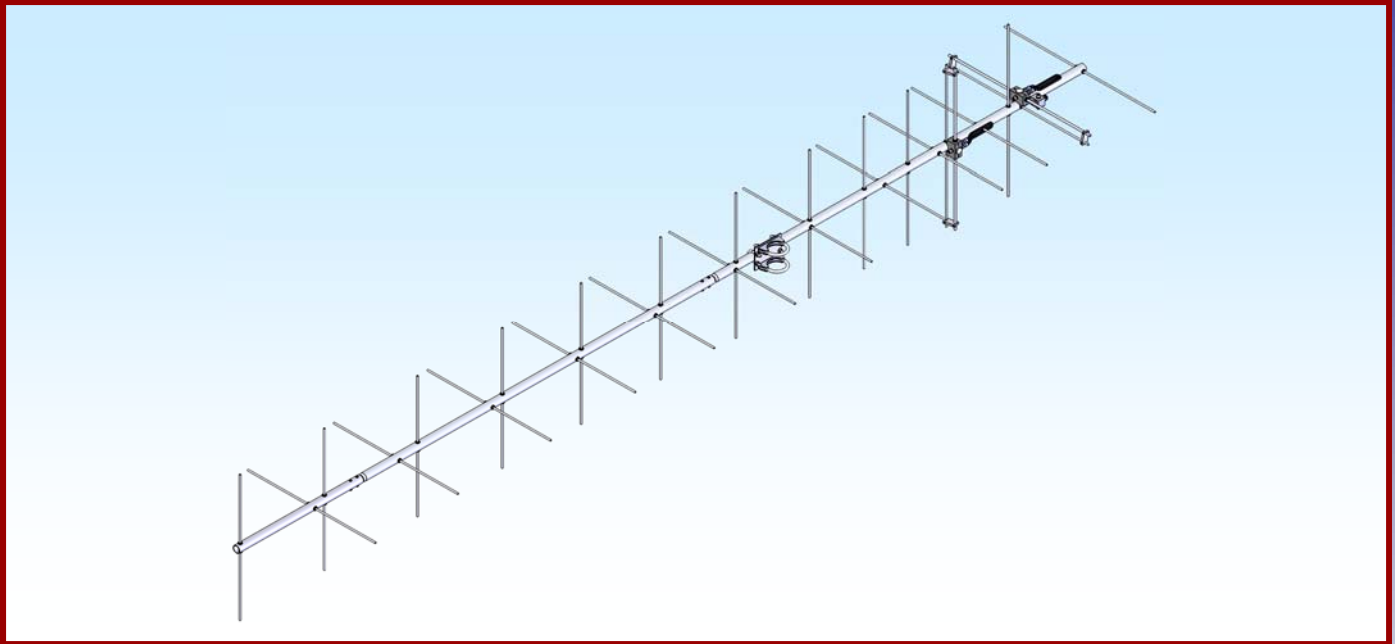




# M2 Antenna Systems, Inc. Model No: 258CP24



## SPECIFICATIONS:

Model .....	258CP24	Power Handling .....	1 kW
Frequency Range.....	248 To 268 mHz	Boom Length / Dia.....	130" / 1"
*Gain .....	12.5 dBi	Maximum Element Length.....	23-1/8"
Front to back .....	17 dB Typical	Turning Radius: .....	82"
Beamwidth .....	E=36° H=40°	Stacking Distance.....	63" High & 63" Wide
Feed type .....	Folded Dipole	Mast Size.....	1-1/2" to 2" Nom.
Feed Impedance. ....	50 Ohms Unbalanced	Wind area / Survival .....	0.89 Sq. Ft. / 100 MPH
Maximum VSWR.....	1.5:1 Typical	Weight / Ship Wt.....	5 Lbs. / 8 Lbs.
Input Connector.....	"N" Female		

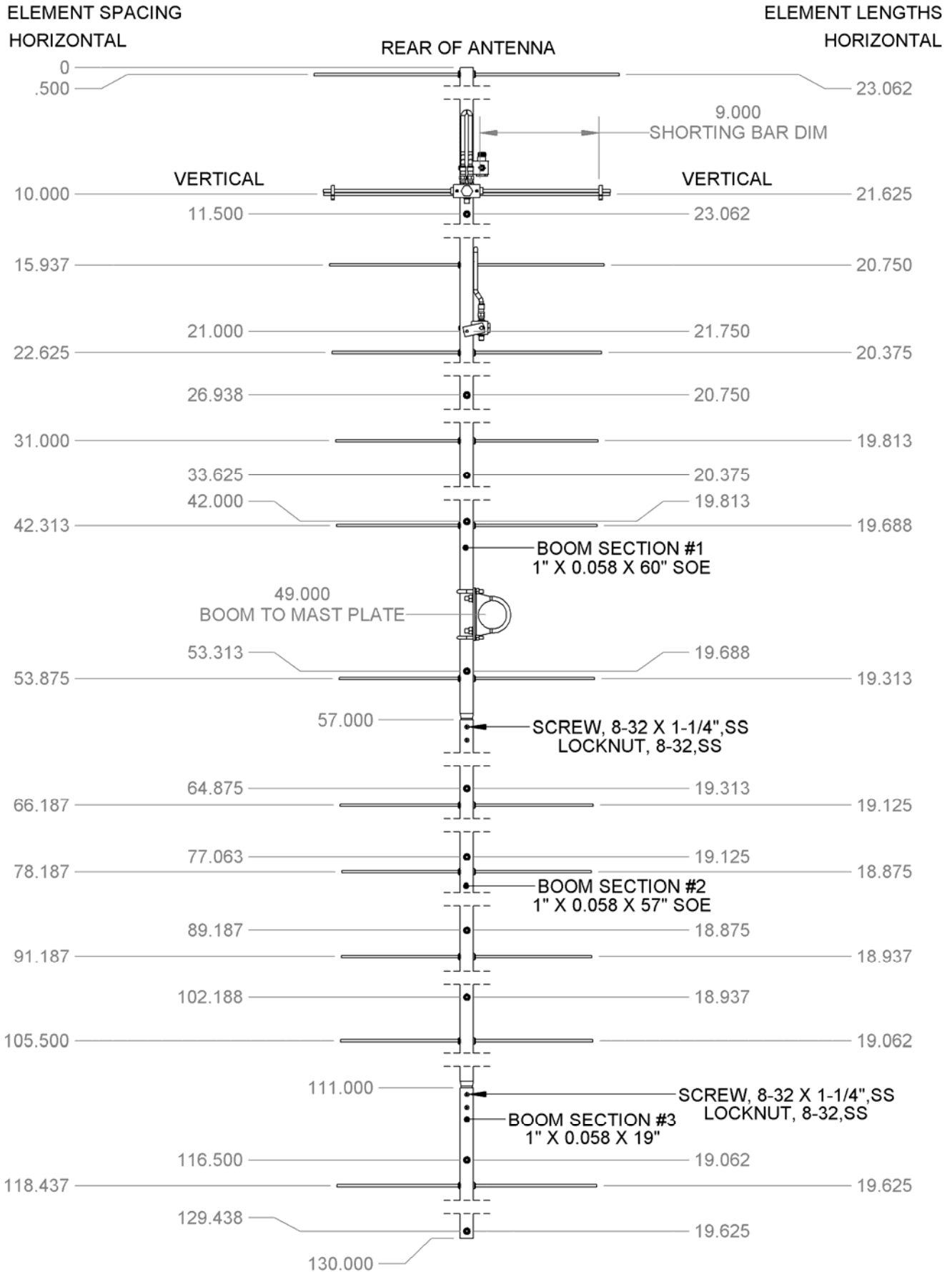
**\*Subtract 2.14 from dBi for dBd**

## FEATURES:

The 258CP24 is high performance circular polarized antenna with a remarkably clean pattern. The pattern is important in order to match the antenna's noise temperature with modern low noise preamps. This antenna is ideal for satellite work but is also excellent for terrestrial uses like ATV, repeater operation, and long haul tropo DX.

The CNC machined driven element module is O-ring sealed and weather tight for low maintenance and long-term peak performance. Internal connections are encapsulated in a space-age silicone gel that seals out moisture and improves power handling. The 3/16" 6061-T6 rod elements are centered to minimize interaction and maintain good ellipticity. Insulators are UV stabilized and locked in place with stainless keepers. Rugged construction, uncompromising performance for the boom length: that's the M<sup>2</sup> 258CP24!

# 258CP24 DIMENSION SHEET



# 258CP24 ASSEMBLY MANUAL

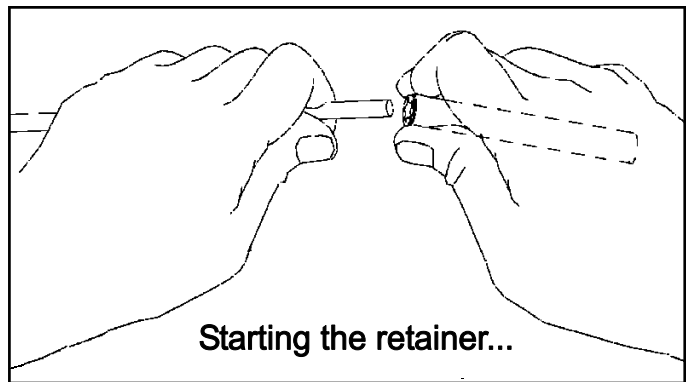
TOOL REQUIRED FOR ASSEMBLY: screwdriver, 11/32 nut driver or wrench, 7/16" and 1/2" socket or end wrenches, measuring tape.

1. Assemble the boom using 8-32 X 1-1/4 screws and locknuts to join sections. (SEE DIMENSION SHEET).

## ASSEMBLING THE HORIZONTAL ELEMENTS

2. Lay out the elements by "Horizontal" length and position as shown the DIMENSION SHEET. Start with the reflector (longest) element. Balance it on your finger to find rough center and push on a black button insulator to about 1/2" off center. Push the element through the holes 1.937" from the rear of the boom and install the second button, snugging it up into boom. **DO NOT BOTHER CENTERING** the element at this time and **DO NOT INSTALL** the stainless steel shaft retainers yet. It is easier to do it after all the horizontal elements are installed in the boom.
3. Install the 3/16" rod DRIVEN ELEMENT as you did the reflector. Then continue with the installation of the DIRECTORS. **Note: the Director Elements do not consistently diminish in length from rear to front, so pay close attention to length and position.**
4. Now begin centering the elements. Use a tape measure to EQUALIZE the amount the element sticking out on each side of the boom. Once you have all the elements centered, sight down the element tips from the rear comparing each side. Look for any obvious discrepancies and correct if found.

5. Stainless steel SHAFT RETAINERS lock the elements in place. They should always be used for permanent and long term antenna installations. For portable or temporary use, the button insulators are adequate for holding the elements and the retainers may be left off. To install the stainless steel SHAFT RETAINERS, use thumb and forefinger to hold the retainer over the end of the PUSH TUBE ( 3/8" x 3" tube, supplied in the kit), internal fingers on retainer dished into tube. **HOLD THE ELEMENT FIRMLY TO PREVENT IT FROM SLIDING OFF CENTER** and press the retainer onto the element end and continue until retainer butts on insulator button. Locking pliers, *lightly* clamped up against opposite button insulator will help maintain center reference (if you push the first retainer too far, remove element from boom, push retainer completely off the element, and start over). Install another retainer to the opposite side of the element. Continue installing retainers until all elements are secured.



6. Mount the **HORIZONTAL DRIVEN ELEMENT ASSEMBLY** to the **TOP** of the boom using a single 8-32 X 1-1/4" screw (SEE PICTURE).
7. Install the 8-32 x 1/4" set screws (internal Allen head - tool supplied) into the SHORTING BARS. Slide the bars onto the 1/8" Driven Element Block Rods and the 3/16" driven element rod. **Position the Shorting Bars as shown on dimension sheet.**

# 258CP24 ASSEMBLY MANUAL

## ASSEMBLING THE VERTICAL ELEMENTS

Note: The vertical element set is shifted forward on the boom by 1/4 wave lengths. This increases isolation between element planes, improving circularity and ease of phasing / matching the two element sets.

- Repeat steps #2 through #5 for the Vertical elements, using the Dimension Sheet as your guide to lengths and spacing.

**INSTALLATION OF THE VERTICAL DRIVEN ELEMENT BLOCK DETERMINES THE CIRCULARITY OF THIS ANTENNA. THE ORIENTATION OF THE BLOCK FOR RHC - RIGHT HAND CIRCULARITY, IS SHOWN ON THE DIMENSION SHEET.**

- Viewed from the rear of the boom (rearmost Reflector HORIZONTAL is on top), the VERTICAL Driven Element Block mounts to the LEFT hand side of the boom with the two Balun connectors oriented to the REAR. Secure with 8-32 x 1-1/4" screw. Install the Shorting Bars as in step #7.
- Before installing the Baluns and Matching / Phasing Harness, thread 3/8" SEAL NUTS fully onto all connectors, with the black Neoprene face of the nuts facing out. Attach Baluns and Phasing lines to the Driven Element Blocks and Junction Block as shown on the picture below. Tighten the connectors **gently** using a 7/16" end wrench. Once the connectors are tight, back the Seal Nuts out and finger-tighten firmly up against the face of the connectors (or tighten **gently** with 1/2" end wrench). A lot of torque is unnecessary. Depending on model and polarity, the Vertical balun may loop around another element. This is normal. Form balun coax until it is close to the boom and secure with a nylon cable tie. Also secure the other balun and the matching / phasing harness coax with cable ties. Ties should be snug but not crushing or kinking the coax.
- Use good quality coax and "N" connector for your feedline (see Installation Tips). Secure feed coax near connector on Junction Block, to provide stress relief. Allow about 60" of coax to hang in a loop between the rear end of the boom and the reattachment point (at least 12" beyond element tips) on the mast or crossboom. ***Do not route feedline thru boom to mast plate as exiting antenna here will adversely affect circular field.***
- The boom to mast plate is normally mounted to the boom at the balance point (SEE DIMENSION SHEET). Since the feed line represents significant weight it is best to have it attached and fastened to the boom with cable ties before final mounting the plate. Use two 1" U-bolts and the stainless nuts and lock washers provided. DO NOT OVER TIGHTEN. 2" U-bolts (and stainless steel nuts / lock washers) are provided for mounting the antenna to your NON-CONDUCTIVE mast or crossboom. Other size u-bolts and cradles are available upon request.

**M<sup>2</sup> ANTENNA SYSTEMS, INC.**

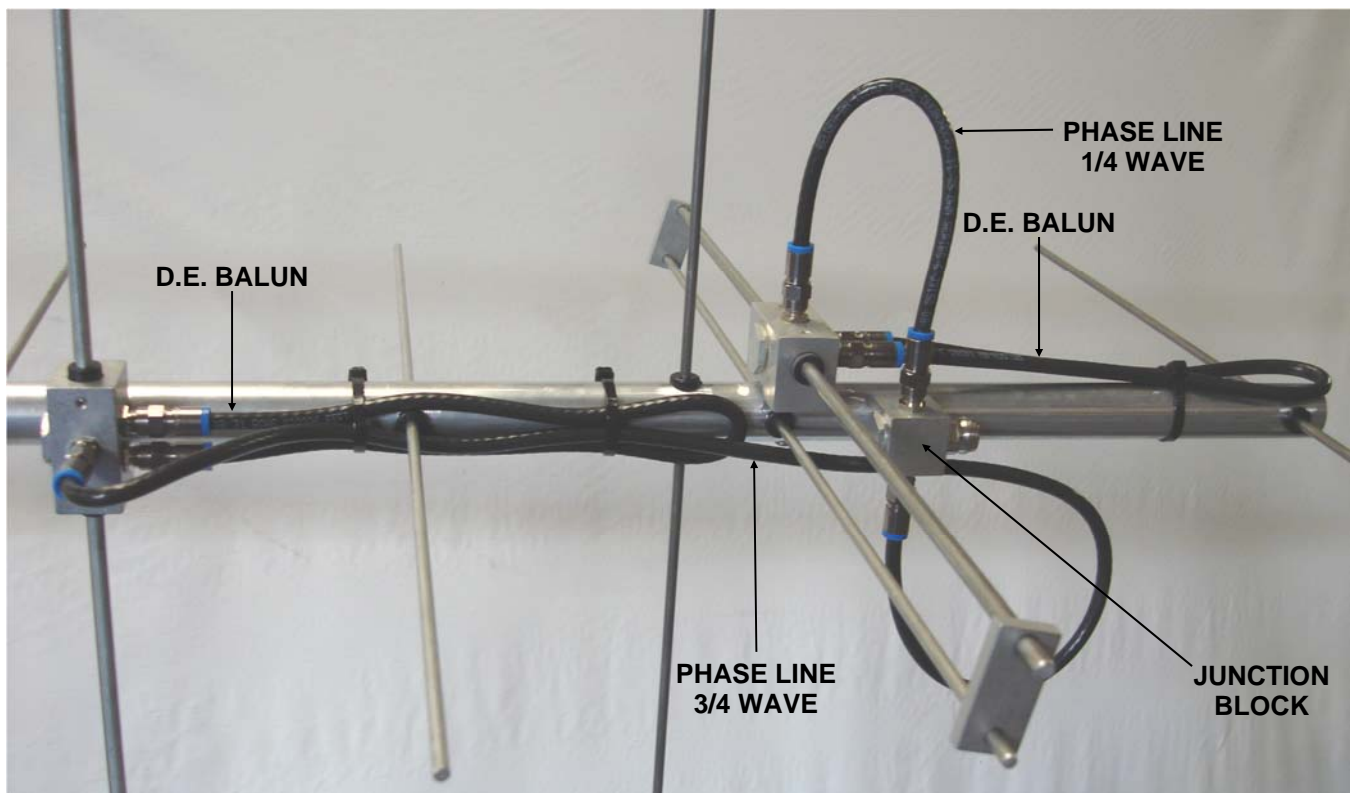
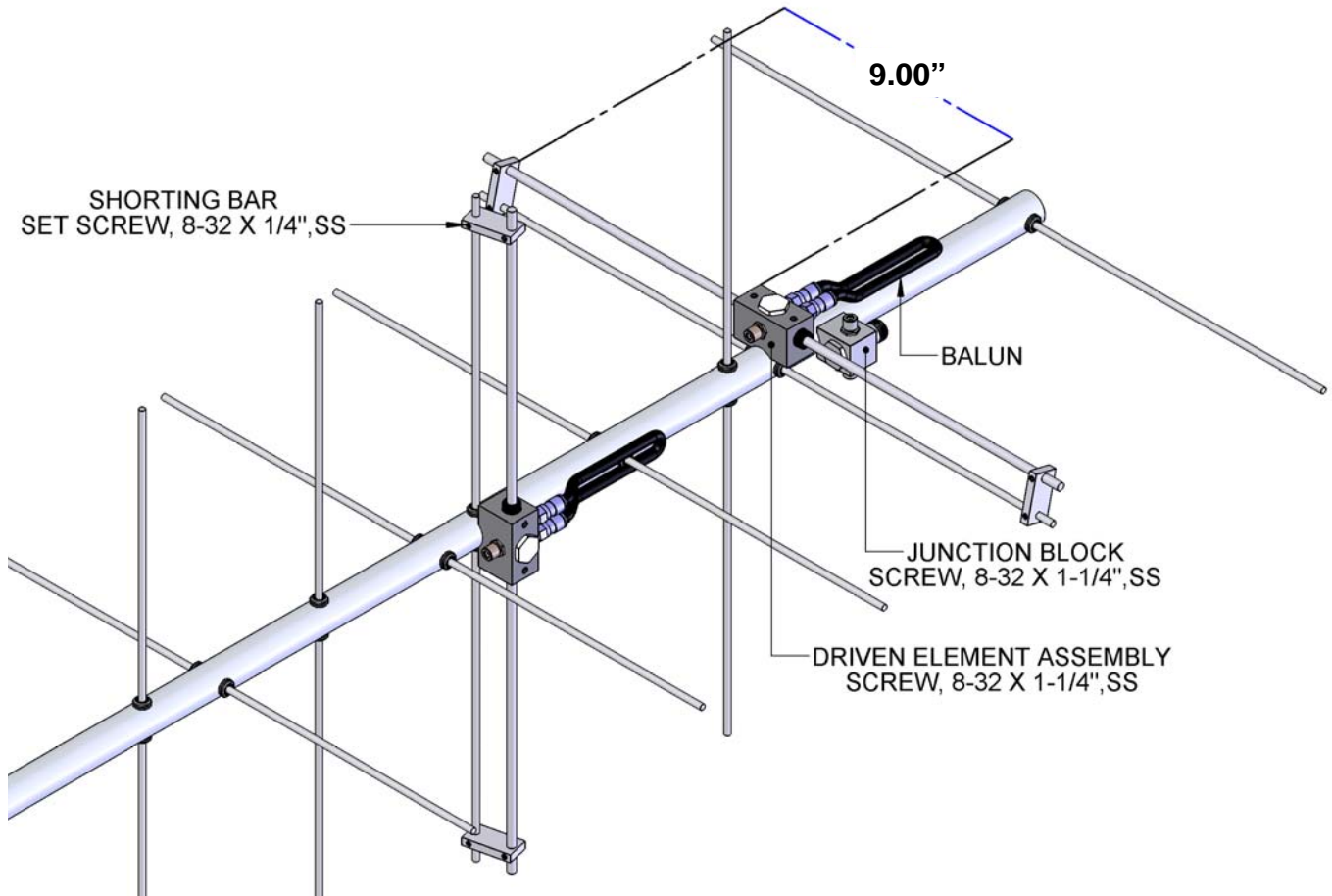
4402 N. SELLAND AVE.

FRESNO, CA 93722

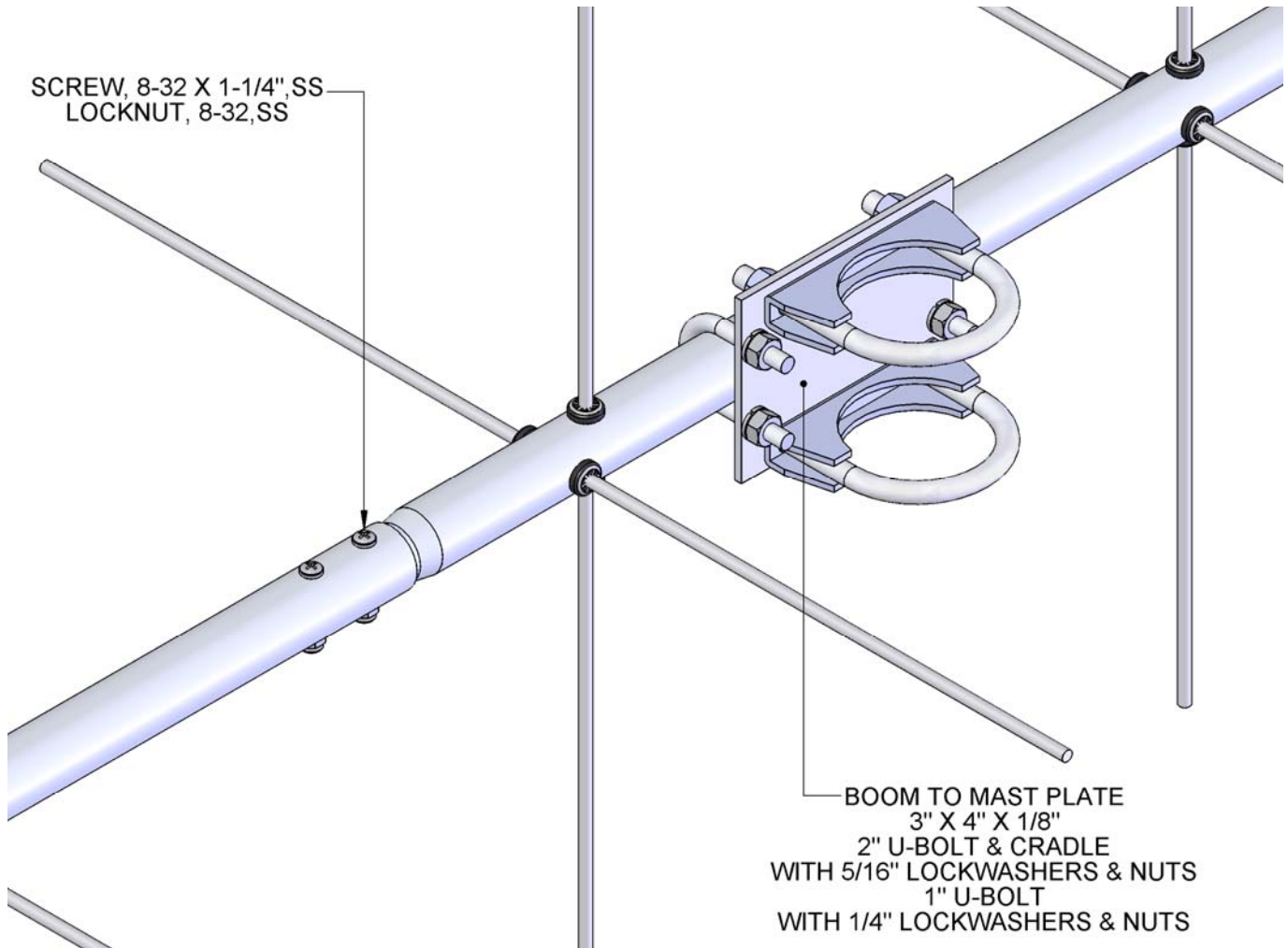
(559) 432-8873 FAX: 432-3059

[www.m2inc.com](http://www.m2inc.com) Email: [sales@m2inc.com](mailto:sales@m2inc.com)

# 258CP24 D.E. & PHASING LINE DETAIL



# 258CP24 BOOM TO MAST PLATE



## **M<sup>2</sup> ANTENNA SYSTEMS, INC.**

4402 N. SELLAND AVE.  
FRESNO, CA 93722

(559) 432-8873 FAX: 432-3059

www.m2inc.com Email: sales@m2inc.com

# 258CP24 PARTS & HARDWARE

DESCRIPTION	QTY.
Boom section #1, 1" x 0.058 x 60" SOE .....	1
Boom section #2, 1" x 0.058 x 57" SOE .....	1
Boom section #3, 1" x 0.058 x 19" .....	1
Elements, 3/16" Alum. Rod x (See Dim Sheet) .....	24
Driven Element Block Assembly.....	2
Junction Block Assembly (SADE0065) .....	1
Balun, RG-6U X 20".....	2
Phasing Line, RG6-U X 10-1/2" quarterwave length .....	1
Phasing Line, RG6-U X 29" three quarterwave length .....	1
Shorting Bars, 0.75 x 1.532 x .250" (M2ASB0090) .....	4
Boom to Mast Plate, 3 x 4 x .125" (M2APT0019).....	1
Assembly instructions .....	1
 <b>HARDWARE BAG #1</b>	
U-bolt and cradle, 2" .....	2
U-bolt, 1" no cradle .....	2
Nut, 5/16-18 ss .....	4
Lockwasher, 5/16" ss .....	4
Nuts, 1/4-20 ss .....	4
Lockwasher, 1/4-20 ss .....	4
 <b>IN HARDWARE BAG #2</b>	
Button insulators, 3/16" black .....	48
Shaft Retainers, 3/16" ss.....	48
Screw, 8-32 x 1-1/4" pan head,ss .....	7
Set screw, 8-32 x 1/4" ss .....	8
Locknut, 8-32 ss .....	4
Seal nuts, 3/8-32 gold zinc .....	8
Allen wrench, 5/64" .....	1
Push tube, 3/8 x 3" (for retainer installation) .....	1
Nylon cable ties, 8" .....	4

## M<sup>2</sup> ANTENNA SYSTEMS, INC.

4402 N. Selland Ave.

Fresno, CA 93722

(559) 432-8873 Fax: 432-3059

[www.m2inc.com](http://www.m2inc.com) Email: [sales@m2inc.com](mailto:sales@m2inc.com)