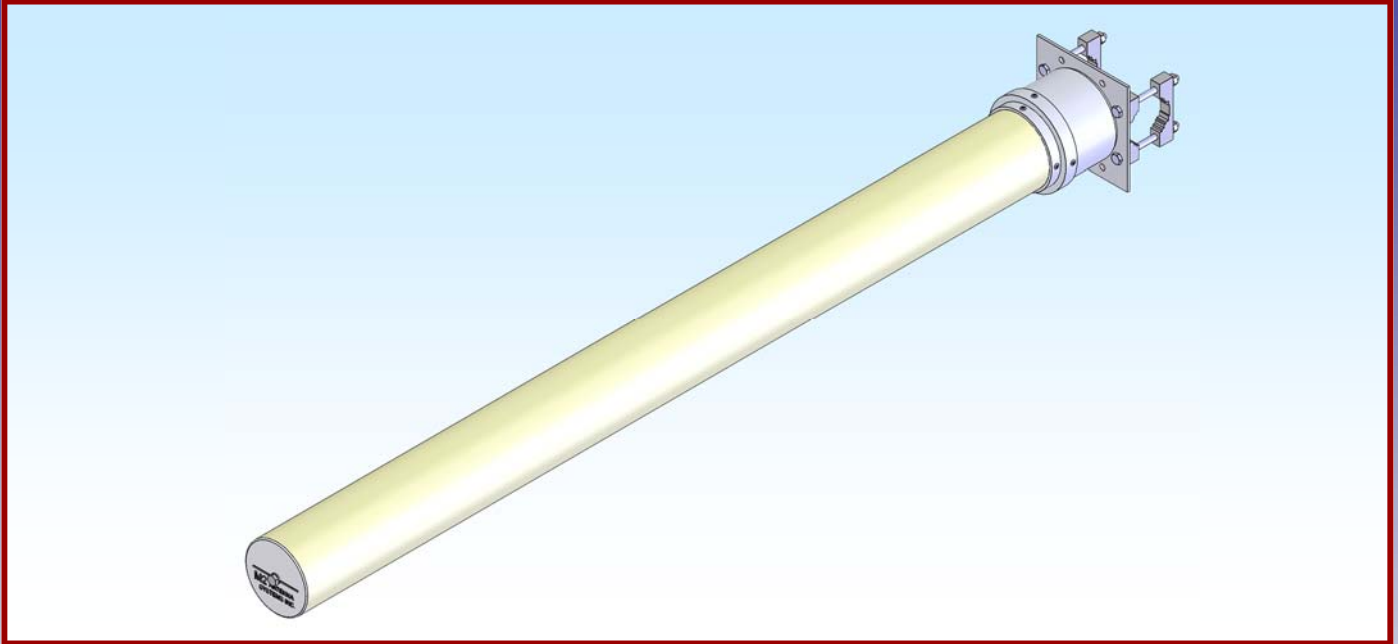




# M2 Antenna Systems, Inc. Model No: 1975-23



### SPECIFICATIONS:

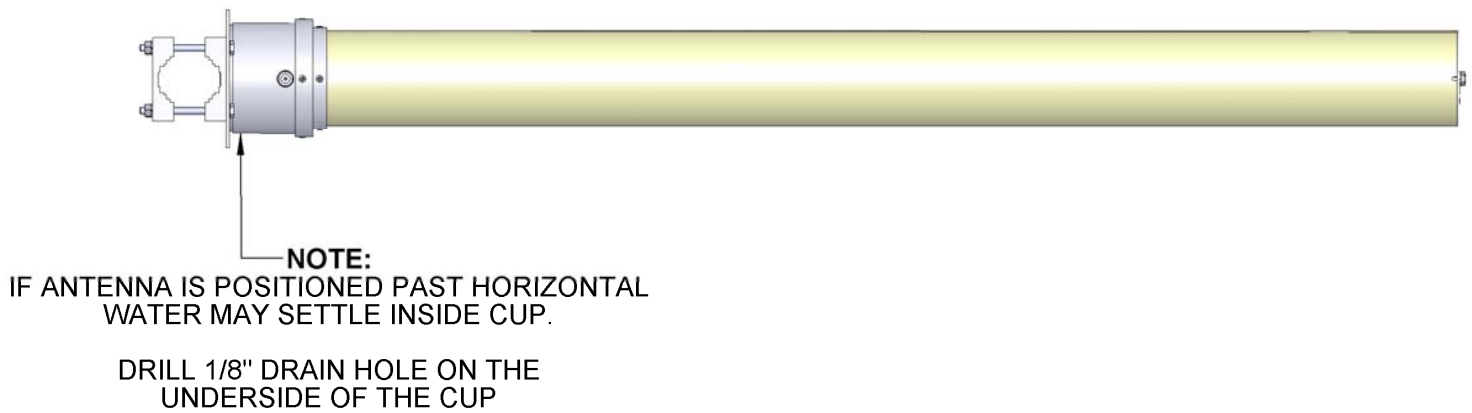
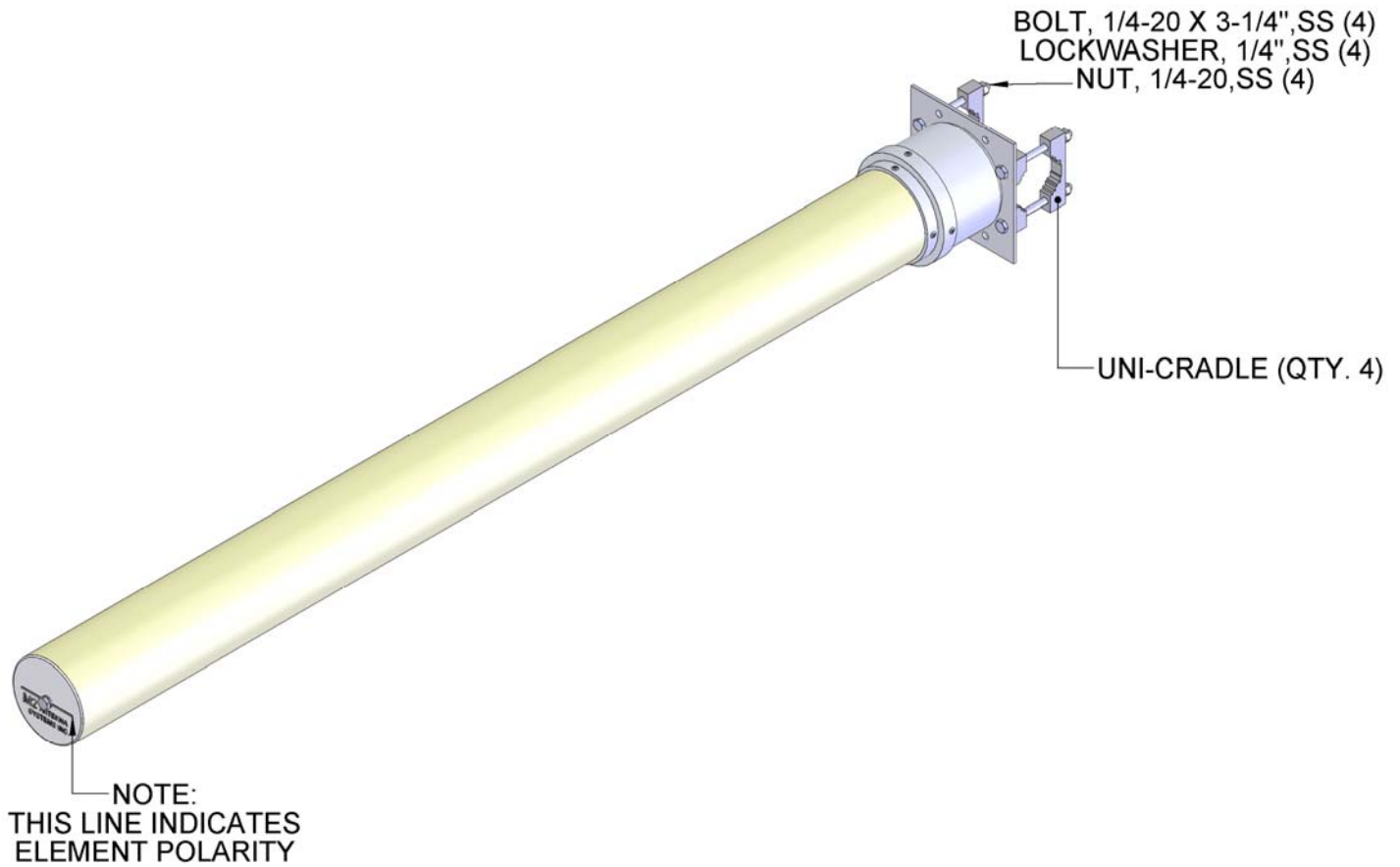
Model .....	1975-23	Input Connector .....	"N" Female
Frequency Range .....	1925 To 2075 mHz	System Polarity .....	RHC
Usable Range .....	1900-2100 mHz	Power Handling .....	500 Watts
System*Gain .....	17.25 dBi	Boom Length / Dia .....	43"
Front to back .....	20 dB Typical	Stacking Distance .....	13"
Beamwidth .....	E=26° H=28°	Mast Size.....	1-1/4" to 2"
Feed type .....	Horn	Wind area / Survival .....	0.75 Sq. Ft. / 100MPH
Feed Impedance. ....	50 Ohms Unbalanced	Weight / Ship Wt. ....	3 Lbs. / 5 Lbs.
VSWR .....	1.2:1 Typical		

**\*Subtract 2.14 from dBi for dBd**

### FEATURES:

The **1975-23** is a high gain, Wave Guide Fed Yagi. Computer optimized for use in the 2210-2245 MHz band. The low-loss Polyethylene Radome covers and adds to the strength of the antenna. Vertical or Horizontal polarization is achieved simply by rotating the antenna 90 degrees.

# 1975-23 ASSEMBLY MANUAL



# 1975-23 PARTS & HARDWARE

DESCRIPTION.....	QTY
1975-23 ANTENNA ASSEMBLY .....	2
1975-23 SHIFT SPACER, 3/8" X .058 X 1-1/2" .....	4
POWER DIVIDER, 2000 2PT PD .....	1
PHASING LINES, 16" RG-303 .....	2
ASSEMBLY MANUAL .....	1

## IN HARDWARE BAGS:

UNI-CRADLE, (M2AMC0076) .....	8
BOLT, 1/4-20 X 5", HEX HD, SS .....	4
BOLT, 1/4-20 X 3.25", HEX HD, SS .....	4
LOCKWASHER, 1/4", SS .....	8
LOCKNUT, 1/4-20,SS .....	8

## M<sup>2</sup> ANTENNA SYSTEMS, INC.

4402 N. SELLAND AVE.

FRESNO, CA 93722

(559) 432-8873 FAX: 432-3059

[www.m2inc.com](http://www.m2inc.com) Email: [sales@m2inc.com](mailto:sales@m2inc.com)