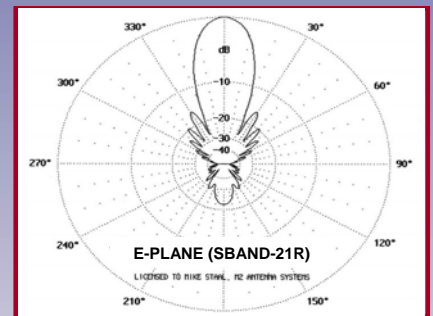
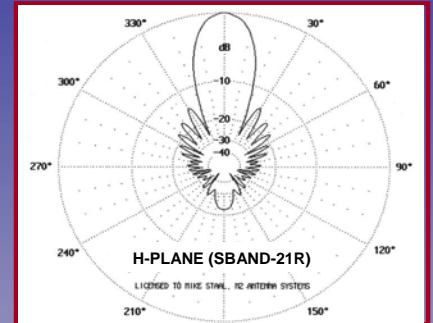
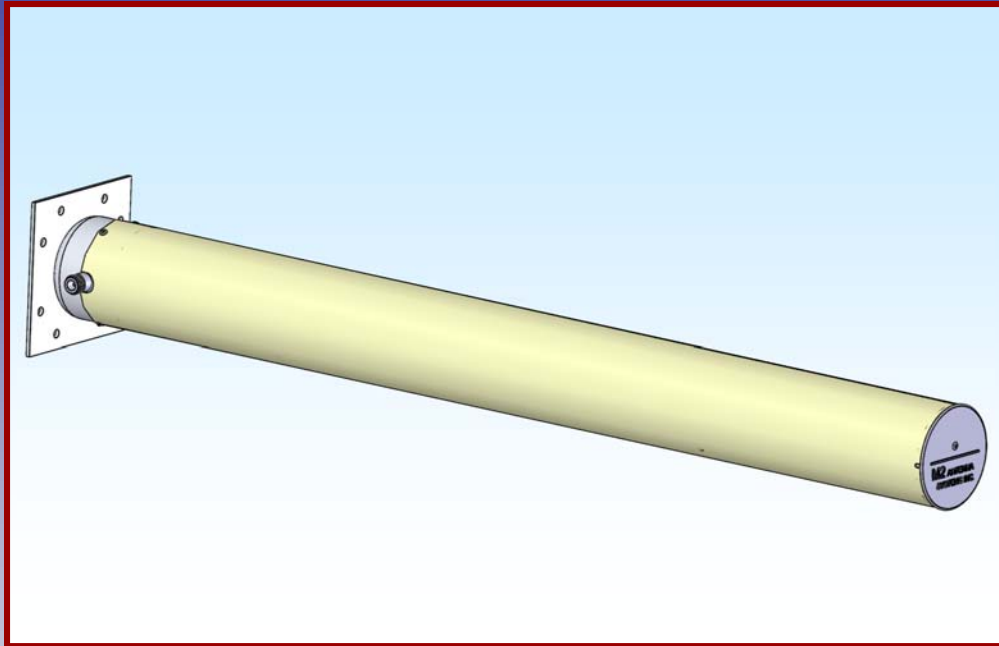




M2 Antenna Systems, Inc.

Model No: SBAND-21R



SPECIFICATIONS:

| | | | |
|----------------------|--------------------|----------------------------|---------------------|
| Model | SBAND-21R | Power Handling | 500 Watts |
| Frequency Range..... | 2390-2450 MHz | Boom Length | 35" |
| *Gain | 15.86 dBd / 18 dBi | Boom Dia..... | 3.3" |
| Front to back | 17 dB | Stacking Distance..... | 30' High & 30' Wide |
| VSWR..... | 1.5:1 Max | Mast Size..... | 1-1/4" to 2" |
| Polarity | Vert / Horz | Wind Area..... | (.2) Sq. Ft. |
| Feed Impedance..... | 50 Ohms Unbalanced | Wind area / Survival | 100 MPH |
| Input Connector..... | "N" Female | Weight | 1.5 Lbs. |

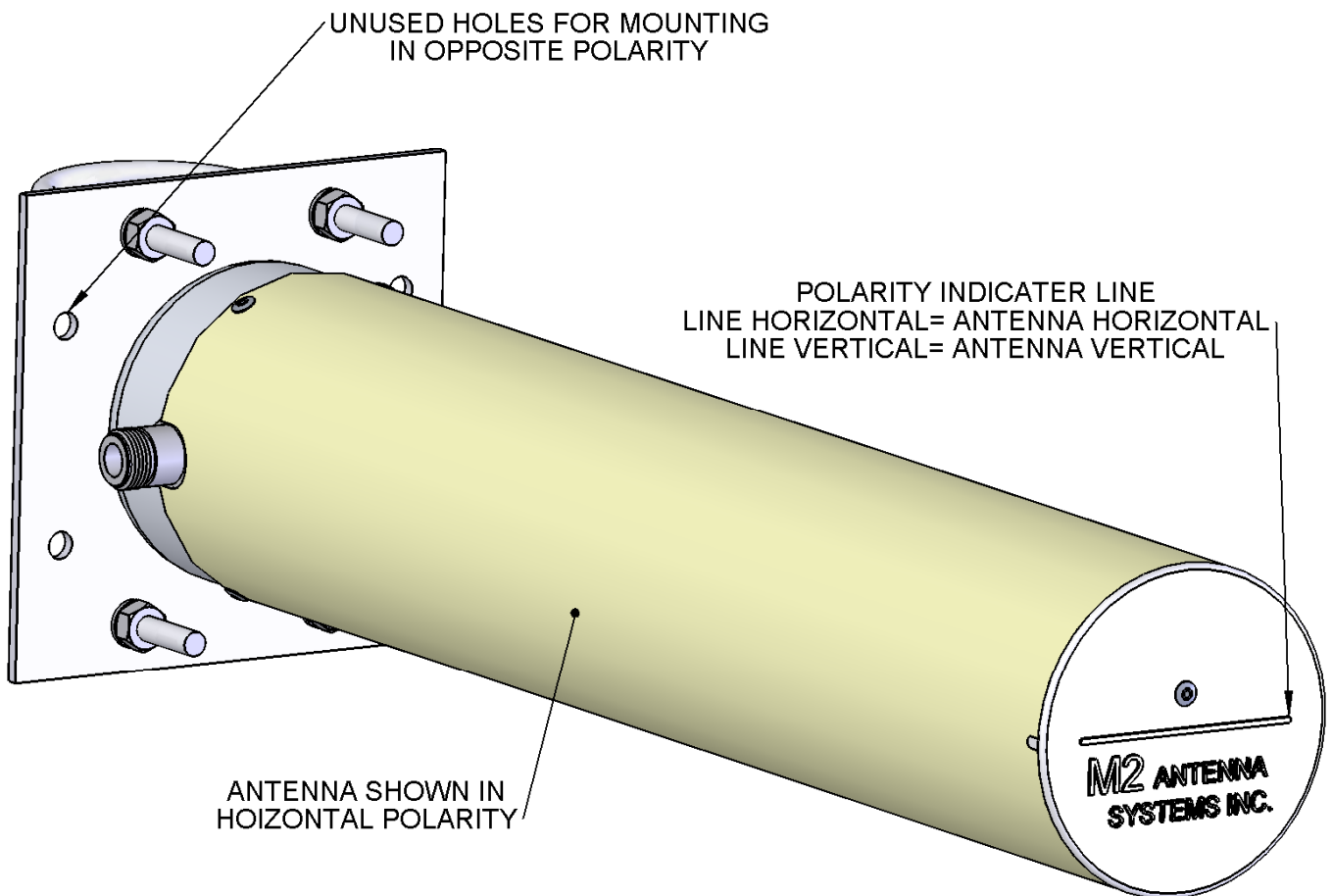
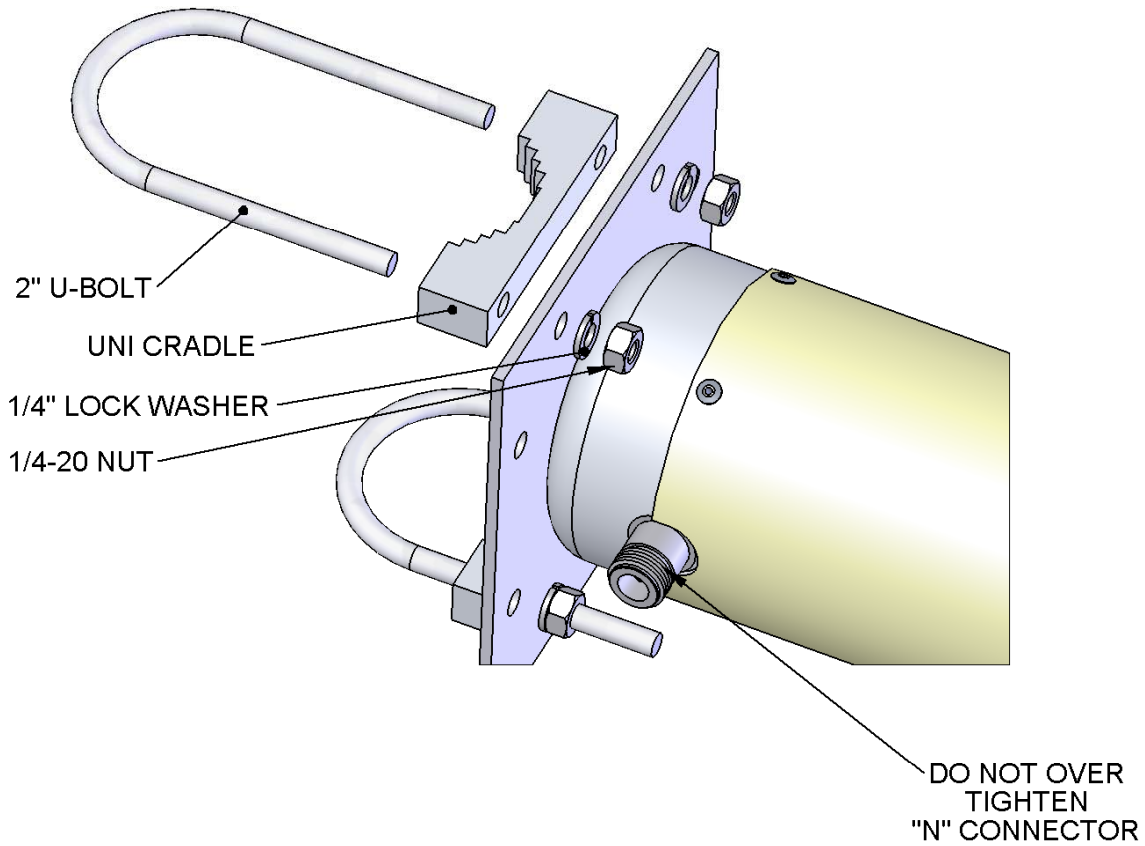
*Subtract 2.14 from dBi for dBd

FEATURES:

The **SBAND-21R** is a high gain, Wave Guide Fed Yagi. Computer optimized for use in the 2350-2500 MHz band. Mechanically optimum computer calculations are held by CNC stamping out the director element structure. The low-loss Polyethylene Radome covers and adds to the strength of the antenna. Vertical or Horizontal polarization is achieved simply by rotating the antenna 90 degrees.

The **SBAND-21R** is one of the best performers for it's size in the market. If more gain is required, stacking two at 8" apart nets another 3.0 dB gain. All antenna hardware is stainless steel for long life.

SBAND-21R MOUNTING DETAIL



SBAND-21R PARTS & HARDWARE

| DESCRIPTION..... | QTY |
|------------------------|-----|
| SBAND-21R ANTENNA..... | 1 |
| ASSEMBLY MANUAL..... | 1 |

HARDWARE BAG #1:

| | |
|----------------------------|---|
| NUT, 1/4-20,SS..... | 4 |
| LOCKWASHER, 1/4", SS..... | 4 |
| U-BOLT, 2", SS..... | 2 |
| UNICRADLE (M2AMC0076)..... | 2 |

M² ANTENNA SYSTEMS, INC.

4402 N. SELLAND AVE.

FRESNO, CA 93722

(559) 432-8873 FAX: 432-3059

www.m2inc.com Email: sales@m2inc.com