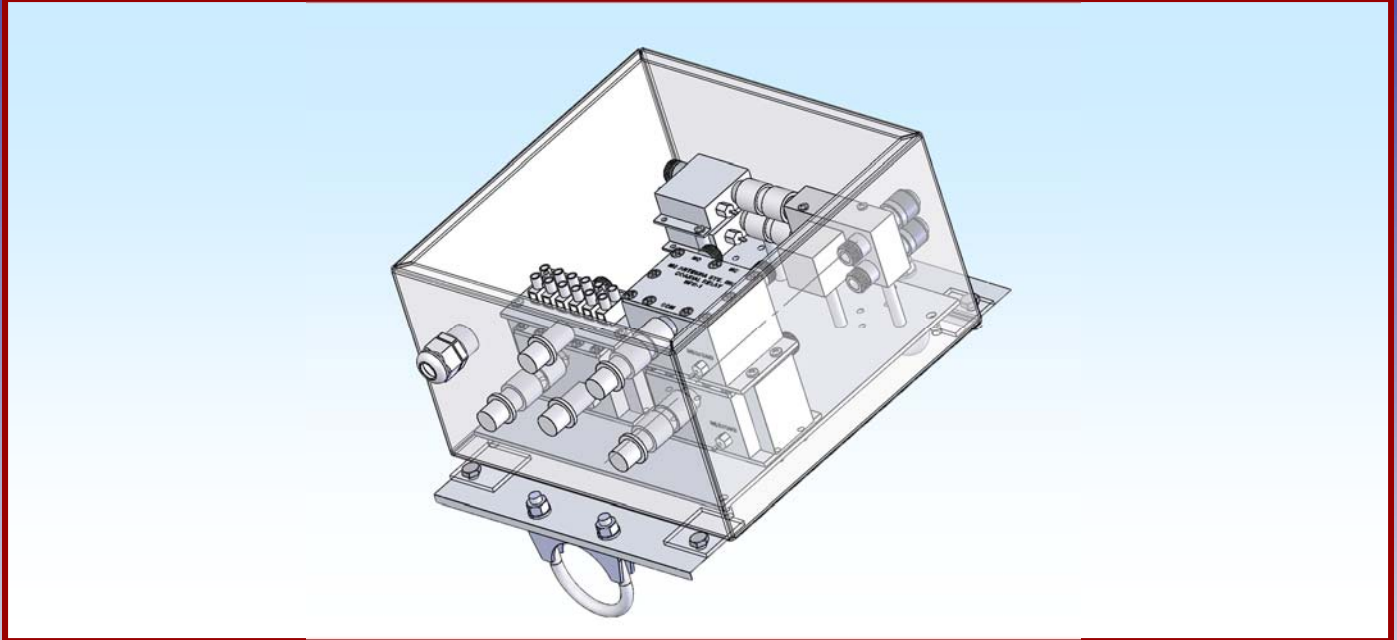




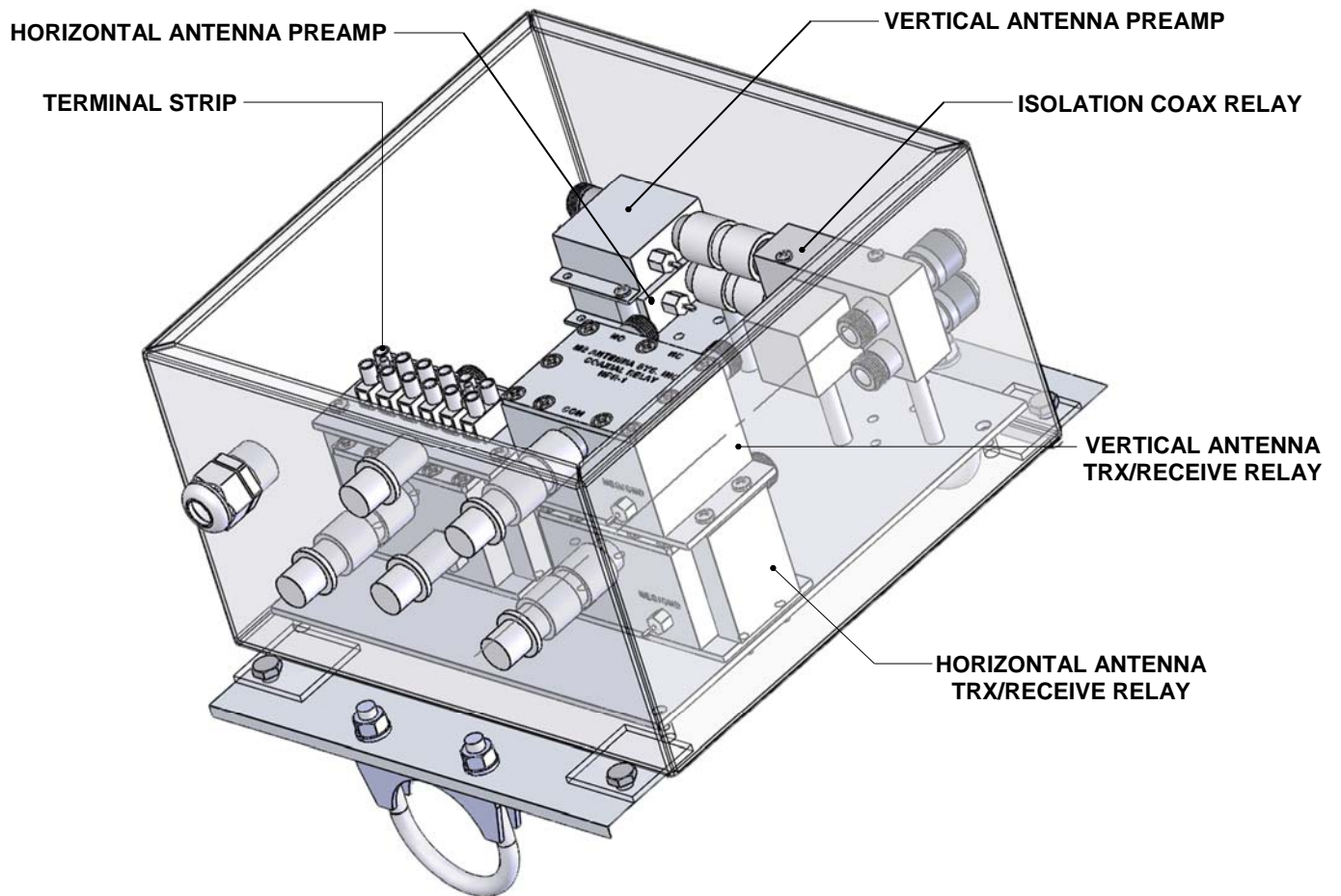
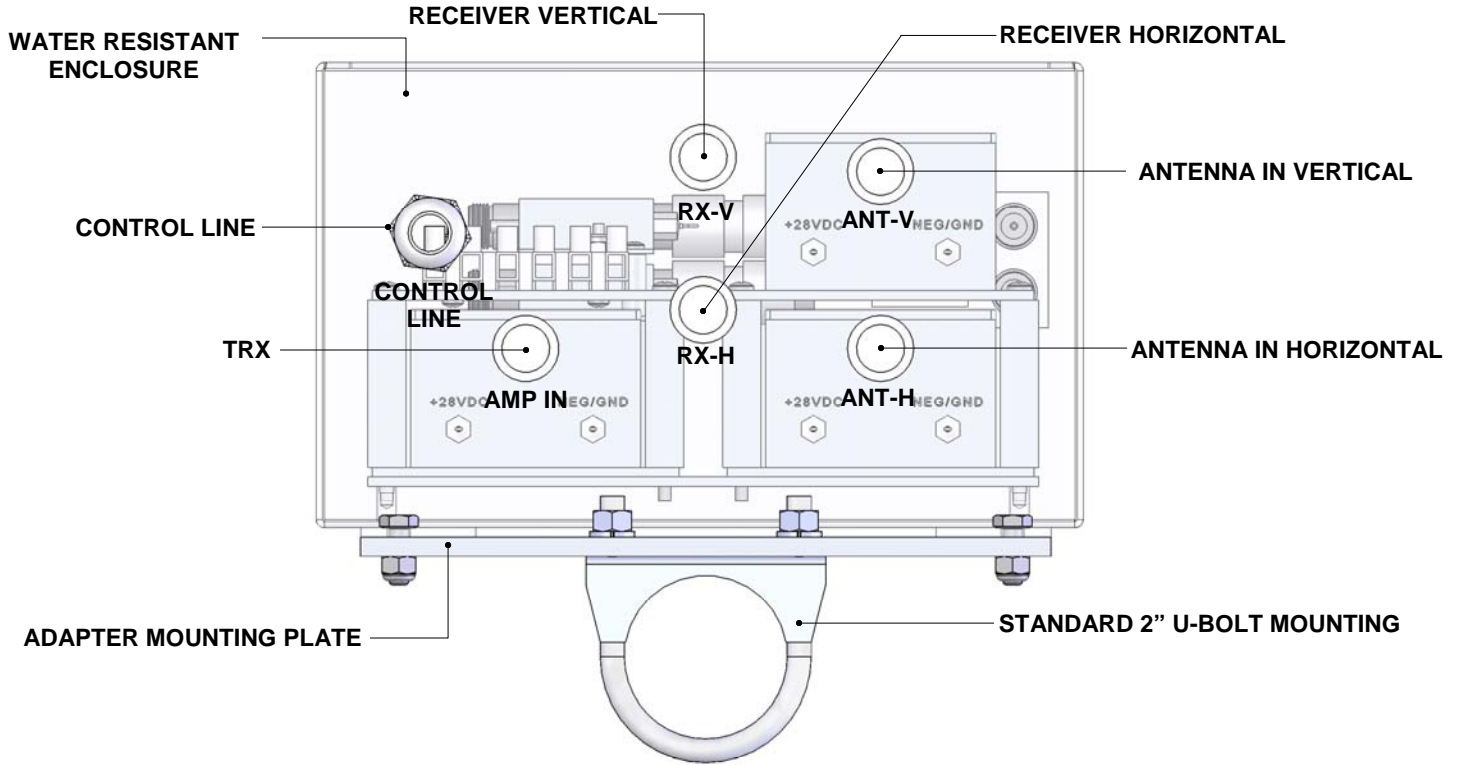
# M2 Antenna Systems, Inc. Model No: Relay/Preamp Housing with MAP65



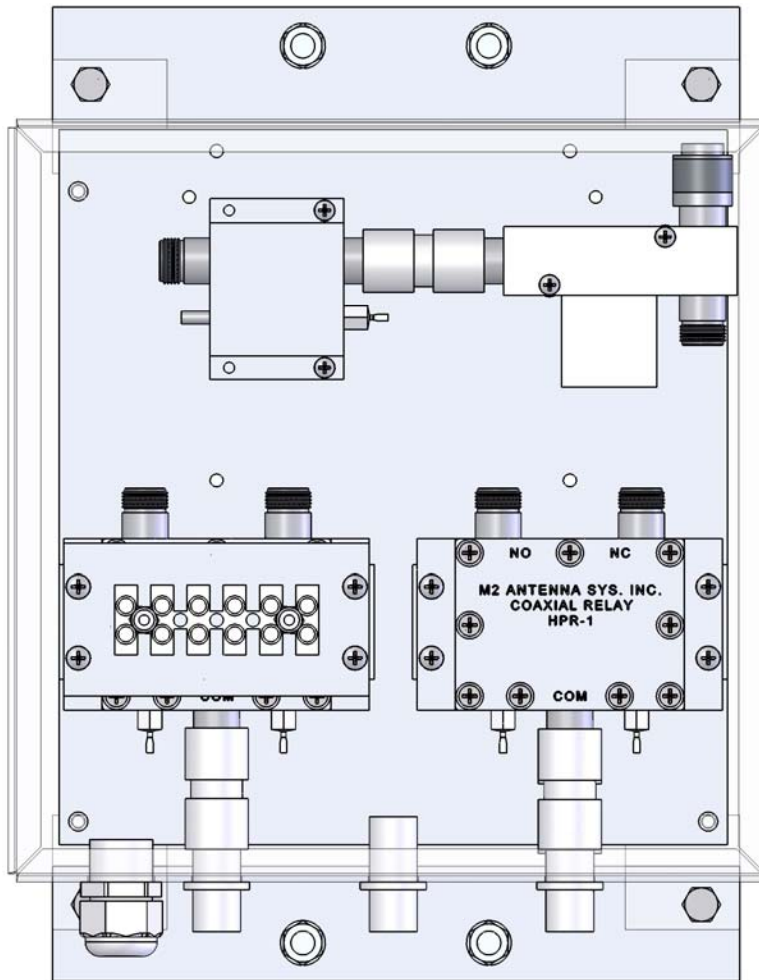
## SPECIFICATIONS:

MODEL NUMBER.....	PREAMP/RELAY HOUSING
PREAMP (VHF).....	12 VDC @ 1 AMP
COAX SWITCH (M2 HPR-1).....	24 VDC @ 1 AMP
ISOLATION COAX RELAY.....	24 VDC @ 1 AMP (>85 dB @ 144 MHz)
ENCLOSURE SIZE.....	W=8" / H=6" / D=8"
COLOR.....	GREY
CONTROLLER (RECOMMENDED).....	M2 S2 SEQUENCER
CONTROL WIRE.....	8 CON. # 22 GA.
MOUNTING.....	2" U-BOLT / ADAPTABLE

# Componets & Input Panel Overview



# Relay/Preamp Housing Terminal Assignments



Terminal assignments are very important, so take your time when doing the wiring. Damage can be caused to the Preamp and Power Relays if connections are made incorrectly. *\*Wiring detail is for a MAP65 System.*

**TERMINAL 1:** +12 VDC to power both Preamps.

**Terminal # 1 from the M2 EME Sequencer S2**

**TERMINAL 2:** This is for the CX800N Coaxial Relay Switching. When the sequencer is “Keyed”, the CX800N Relay will switch to a N.O. State. We have included this new Relay for more Isolation.

**Terminal # 2 from the M2 EME Sequencer S2**

**TERMINAL 3:** This is the Vertical / Horizontal Relay Control lines. When the sequencer is “Keyed”, this will switch the relays.

**Terminal # 3 from the M2 EME Sequencer S2**

**TERMINAL 4:** Constant +28 VDC to power the Vertical / Horizontal Relays and the additional CX800N Isolation Relay.

**Terminal # 8 from the M2 EME Sequencer S2**

**TERMINAL 5:** Switched +28 VDC to power the polarity relay.

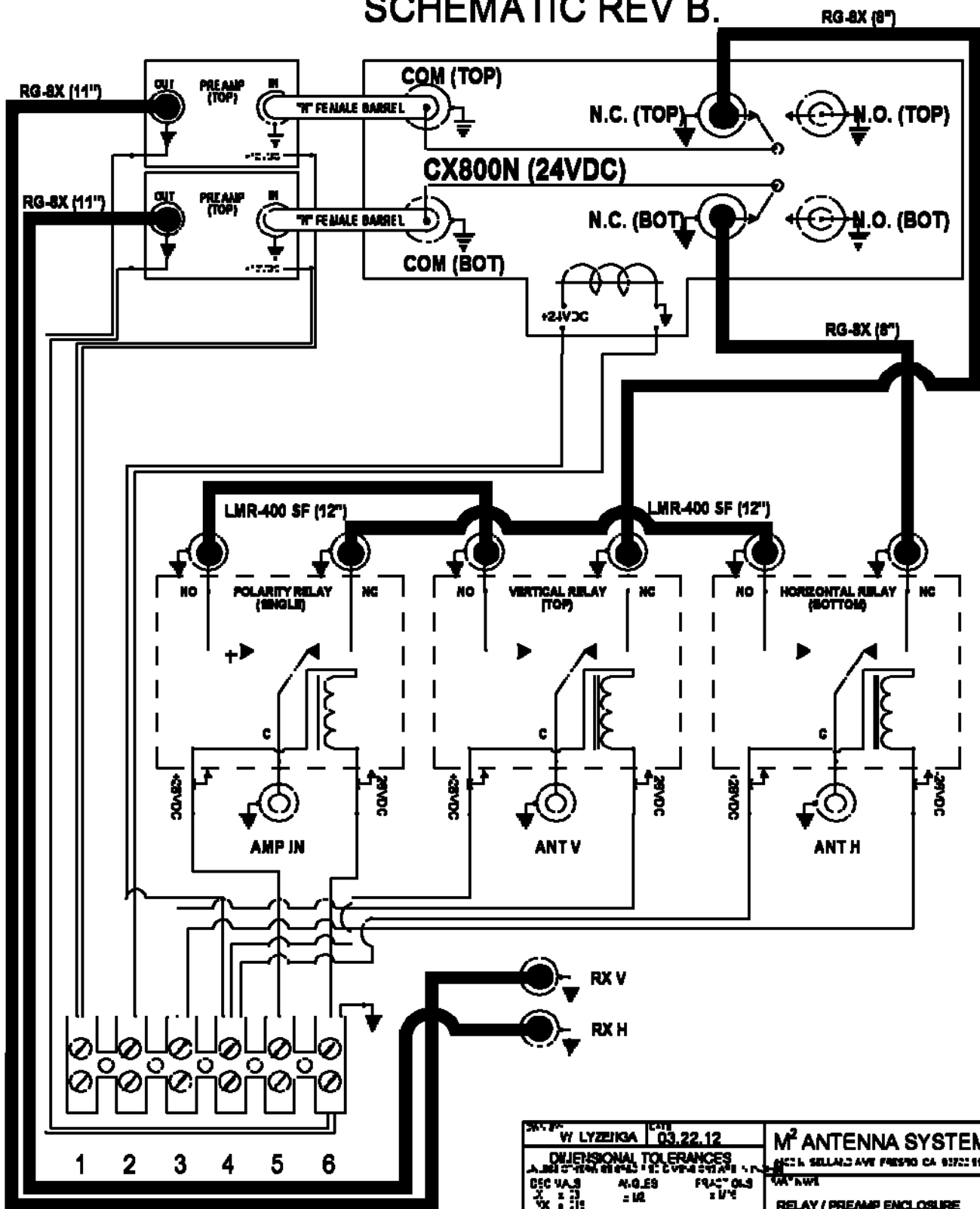
**Terminal # 7 from the M2 EME Sequencer S2**

**TERMINAL 6:** Chassis / Ground

**Terminal #10 from the M2 EME Sequencer S2**

# EME Relay/Preamp Housing (MAP65) Schematic Rev B.

## EME RELAY / PREAMP HOUSING (MAP65) SCHEMATIC REV B.



DATE: W/ LYZEJKA DATE: 03.22.12 DIMENSIONAL TOLERANCES DECIMALS = 0.005 FRACTIONS = 1/32" ANGLES = 15' 1/2" UNLESS OTHERWISE SPECIFIED DIMENSIONS APPLY AFTER PLATING SURFACE FINISH: 200 UG PLATING: 200 UG	<b>M<sup>2</sup> ANTENNA SYSTEMS, INC.</b> 1020 S. SELLAND AVE FRESNO CA 93722 509 432 8872 FAX: 509 432 8872 <b>RELAY / PREAMP ENCLOSURE (MAP65) REV B</b> P/N: 102 P/N 10/15
--	---

# EME Relay/Preamp Housing (MAP65) Parts List

DESCRIPTION.....	QTY
RELAY / PREAMP HOUSING .....	1
MOUNTING PLATE, .250 X 1.5" X 9".....	2
USER MANUAL .....	1

## IN HARDWARE BAGS:

U-BOLT & CRADLE, 2" .....	2
NUT, 5/16-18 HEX.....	4
WASHER, 5/16.....	4
BOLT, 1/4-20 X 3/4" SS.....	4
NUT, 1/4-20 LOCKING .....	4

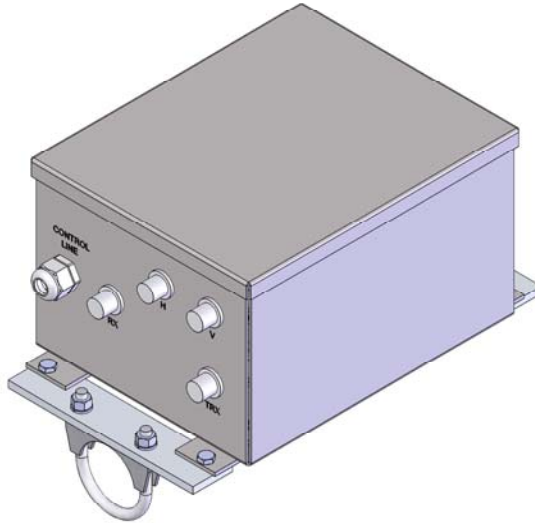
### M<sup>2</sup> ANTENNA SYSTEMS, INC.

4402 N. SELLAND AVE.  
FRESNO, CA 93722

(559) 432-8873 FAX: 432-3059

[www.m2inc.com](http://www.m2inc.com) Email: [sales@m2inc.com](mailto:sales@m2inc.com)

# 12 Month Limited Warranty Information



This warranty gives you specific legal rights. You may also have other rights which will vary from state to state or province to province.

**M2** warrants the **RELAY / PREAMP HOUSING** unit against defects in material and workmanship for a **period of 12 months** from date of purchase. During the warranty period, **M2** will, at its option, either repair or replace products or components which prove to be defective. The warranty shall not apply to defects or damage resulting from:

- Improper or inadequate maintenance by user
- Improperly prepared installation site
- Unauthorized modifications or misuse
- Accident, abuse, or misapplication
- Normal wear

**M2** specifically does not warrant this product for any direct, indirect, consequential, or incidental damages arising from the use or inability to use the product. Some states or provinces do not allow the exclusion or limitation of liability for consequential or incidental damages so the above limitation may not apply.

In the event repair or replacement are necessary, purchaser shall contact **M2** for return authorization. In many cases this contact can simplify and expedite the repair / replacement process and help reduce costs and downtime.

The purchaser shall be responsible for packing the product properly for return and for charges to ship the product to **M2**. Always include with the shipment, a statement detailing the problem / failure and any other pertinent observations. Insuring the product for shipment is recommended. Use the original packing materials whenever possible. **M2** is responsible for charges **(in the United States)** to return the repaired / replacement product only where warranty service is involved.