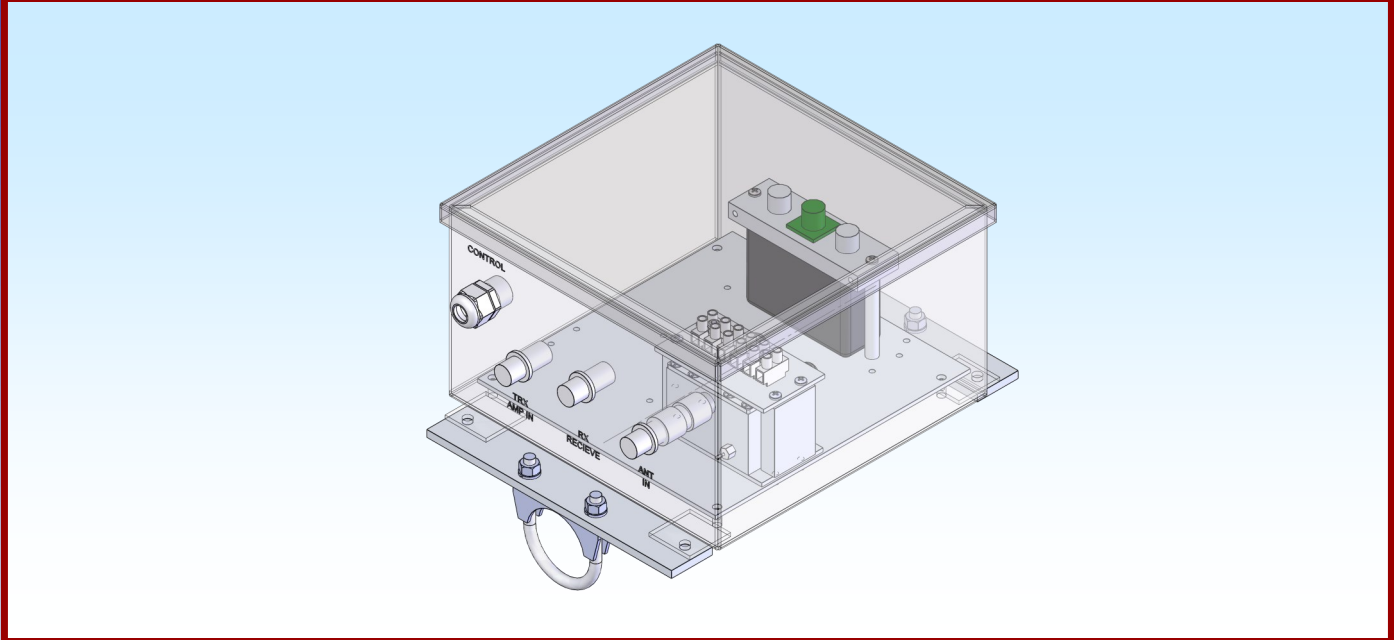




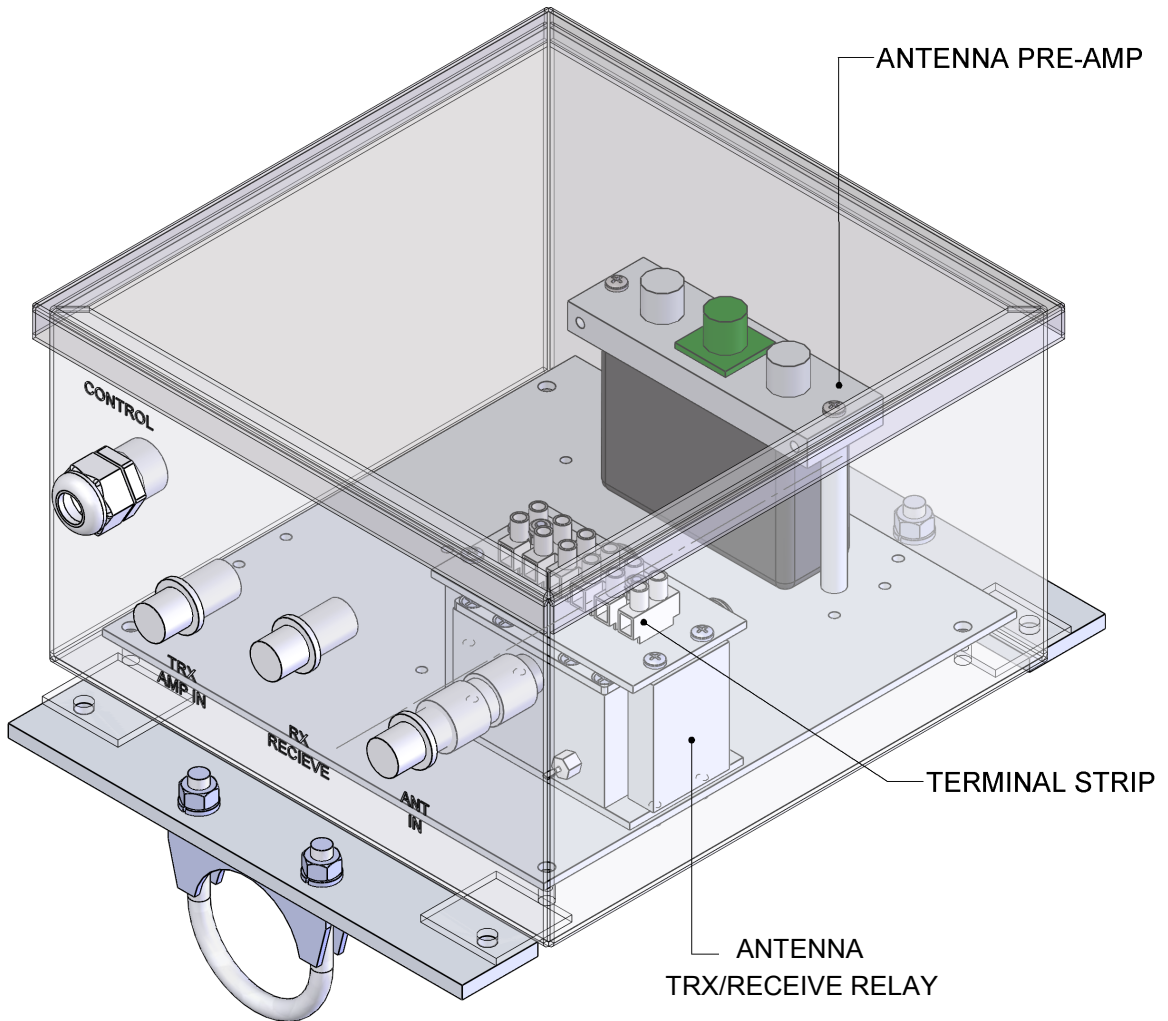
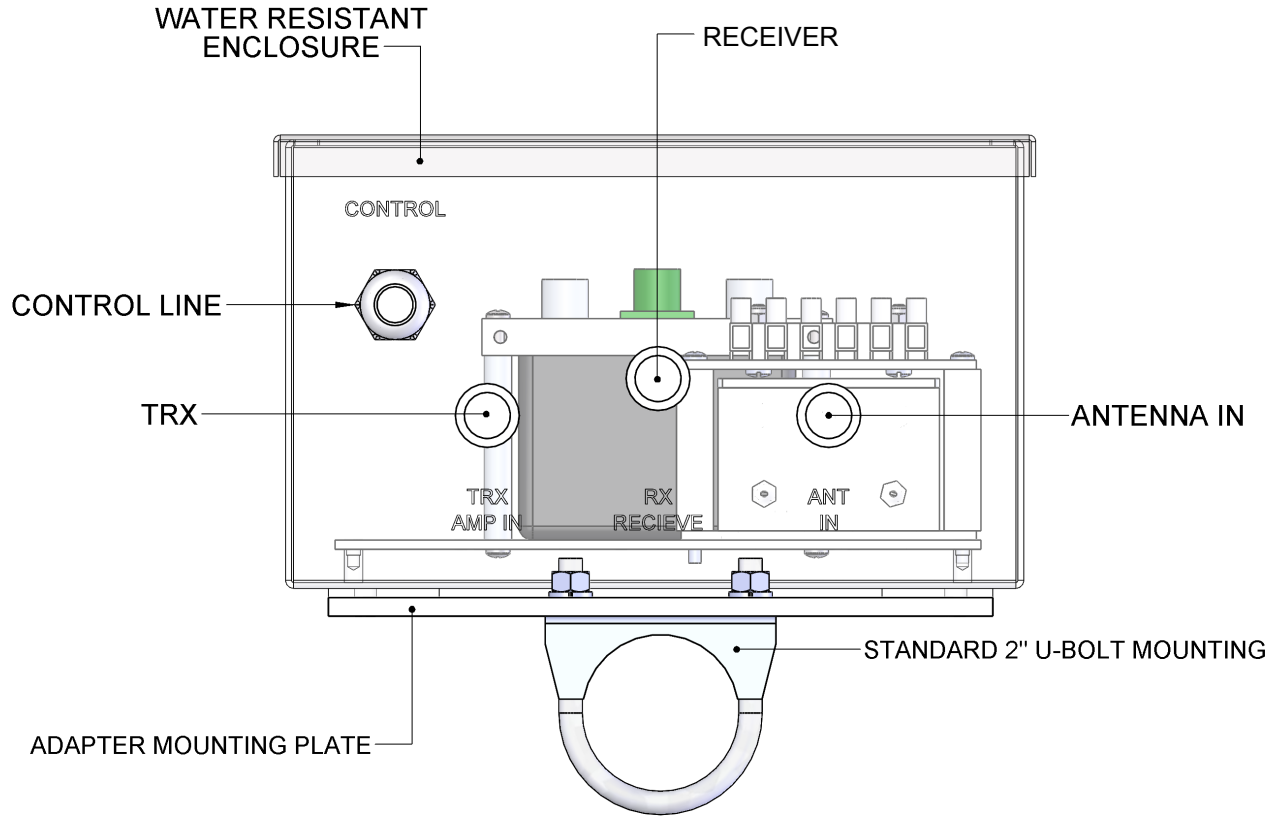
# M2 Antenna Systems, Inc. Model No: Relay/Preamp Single Polarity



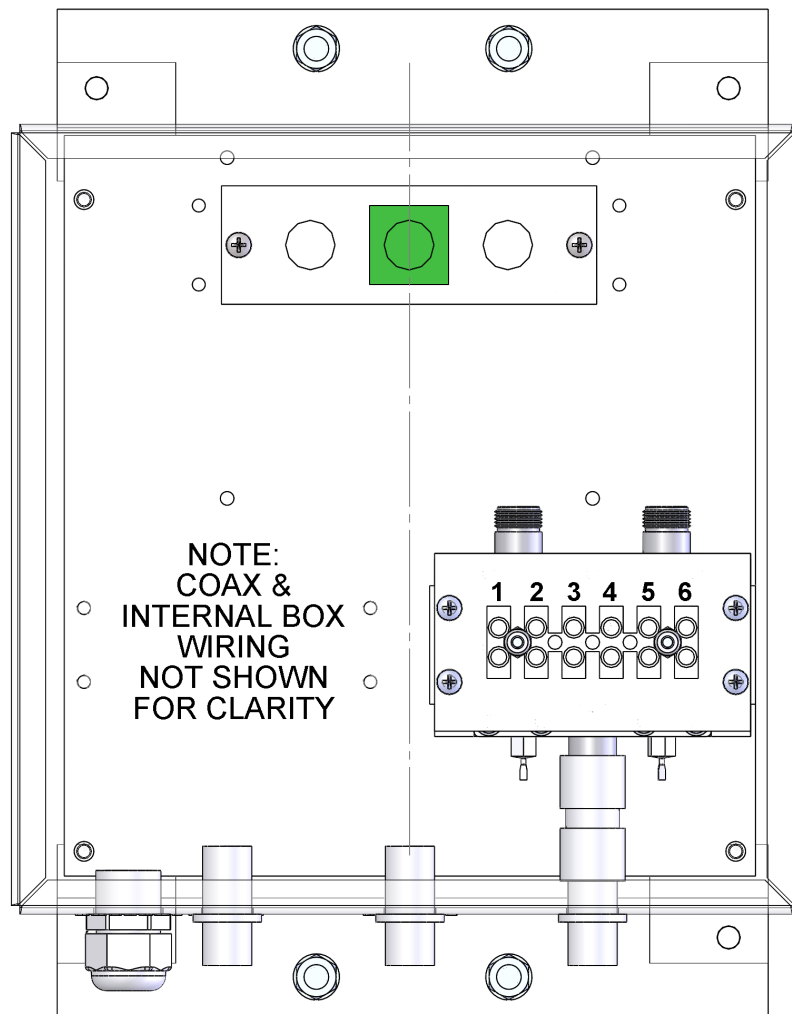
## SPECIFICATIONS:

MODEL NUMBER .....	FGHRLYPREAMPSP
PREAMP (VHF/UHF/MICROWAVE) .....	12 VDC @ 1 AMP
COAX SWITCH (M2 HPR-1) .....	24 VDC @ 1 AMP
ENCLOSURE SIZE .....	W=8" / H=6" / D=8"
COLOR.....	GREY
CONTROLLER (RECOMMENDED) .....	M2 S2 SEQUENCER
CONTROL WIRE.....	8 CON. # 22 GA.
MOUNTING .....	2" U-BOLT / ADAPTABLE

# Componets & Input Panel Overview



# Relay/Preamp Housing Single Polarity Terminal Assignments



Terminal assignments are very important, so take your time when doing the wiring. Damage can be caused to the Preamp and Power Relays if connections are made incorrectly. ***\*Wiring detail is for a Single Polarity System.***

**TERMINAL 1:** +12 VDC to power both Preamp.

**Terminal # 1 from the M2 EME Sequencer S2**

**TERMINAL 2:** This is the Preamp control line. When the sequencer is “Keyed”, this line will put the Preamp in a **NON** operating state for Transmit.

**Terminal # 2 from the M2 EME Sequencer S2**

**TERMINAL 3:** This is the Transmit / Receive Relay Control line. When the sequencer is “Keyed”, this will switch the relay.

**Terminal # 3 from the M2 EME Sequencer S2**

**TERMINAL 4:** Constant +28 VDC to power the Transmit / Receive Relay.

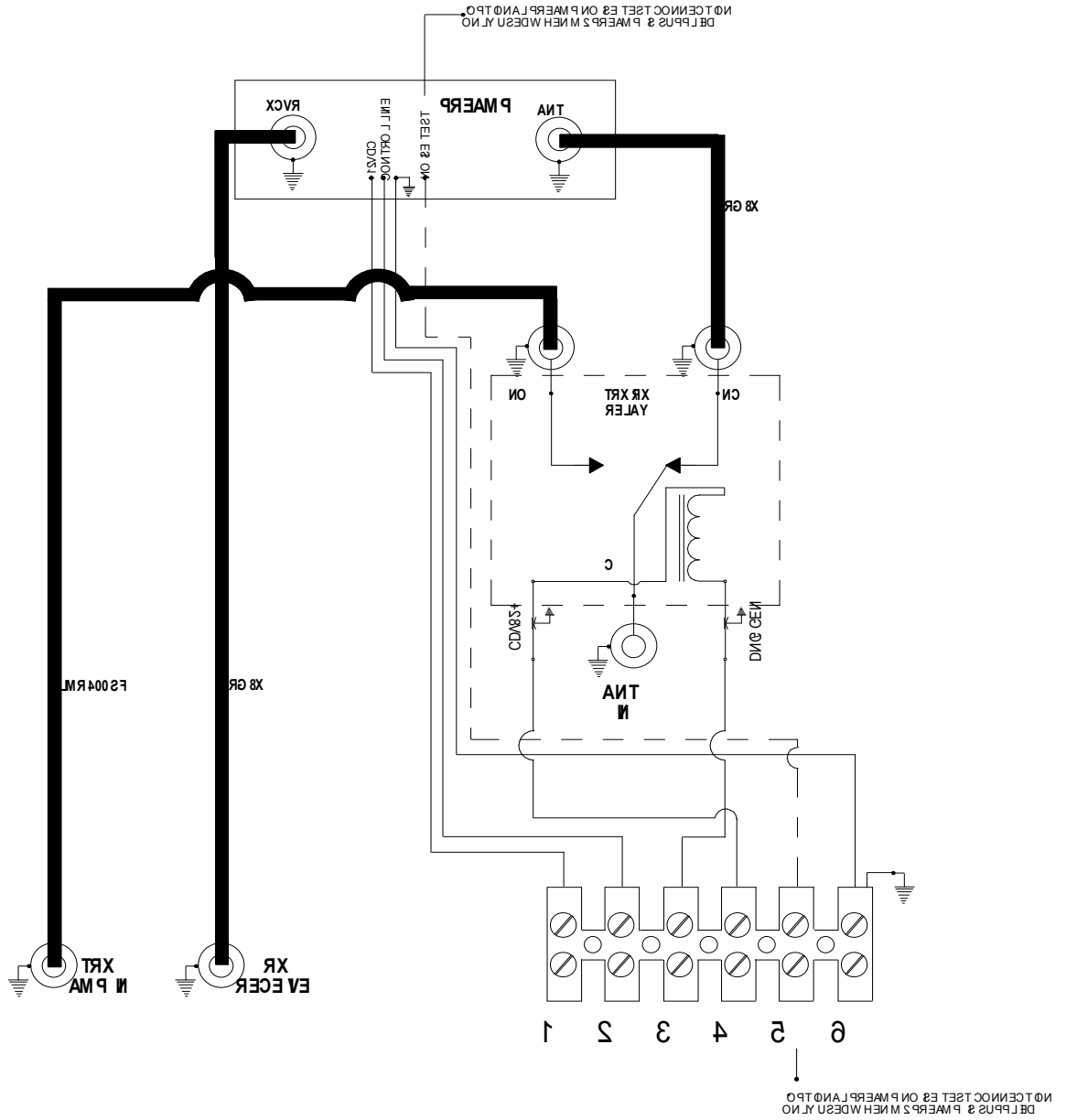
**Terminal # 8 from the M2 EME Sequencer S2**

**TERMINAL 5:** Normally open and not used.

\*If the M2 2M-PA preamp is built into the Relay/Preamp Housing, a “Noise Test” function can be Connected here. \*Refer to the 2M-PA manual for more details.

**TERMINAL 6:** Ground

# EME Relay/Preamp Housing Single Polarity Schematic



<p>3788 234 898 23238 AC ONSERF, EVA DNALLS N2044</p> <p>SECTION IN EARA SNEWD DBR CES ES WREHO SBLIN</p> <p>SECONRAL OT LANDSNEWD</p> <p>AGNEZY.. W</p>	<p>VER 1.0</p> <p>REVISIONS</p> <p>NO. REV. DATE</p> <p>1. 01. 01. 01</p>
<p>OT YRAB RPORP NOTARCPIN SINTA INCOE MCOO 3 TH</p> <p>ROBDCS DINTODORPER YAM. CN. SMETYS ANNETAS M</p> <p>PARCEK DEE HORR Y 888RKE &amp; LIMECOO 8 TH 0.82M</p> <p>QNT RWM ERGGA ES WREHOYAM CN. SMETYS ANNETAS M</p>	<p>VER. E MAN BIL</p> <p>DKS MCHG OPS</p>

# EME Relay/Preamp Housing Single Polarity Parts List

DESCRIPTION .....	QTY
RELAY / PREAMP HOUSING .....	1
MOUNTING PLATE, .250 X 1.5" X 9" .....	2
USER MANUAL .....	1

## IN HARDWARE BAGS:

U-BOLT & CRADLE, 2" .....	2
NUT, 5/16-18 HEX .....	4
WASHER, 5/16 .....	4
BOLT, 1/4-20 X 3/4" SS .....	4
NUT, 1/4-20 LOCKING .....	4

### M<sup>2</sup> ANTENNA SYSTEMS, INC.

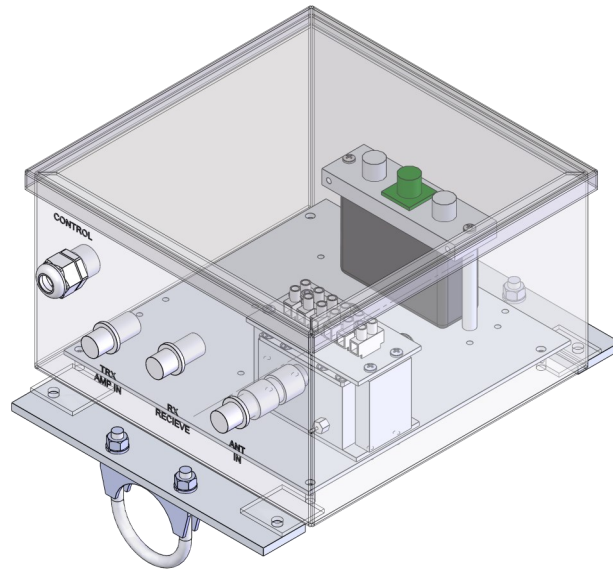
4402 N. SELLAND AVE.

FRESNO, CA 93722

(559) 432-8873 FAX: 432-3059

[www.m2inc.com](http://www.m2inc.com) Email: [sales@m2inc.com](mailto:sales@m2inc.com)

# 12 Month Limited Warranty Information



This warranty gives you specific legal rights. You may also have other rights which will vary from state to state or province to province.

**M2** warrants the **RELAY / PREAMP HOUSING** unit against defects in material and workmanship for a **period of 12 months** from date of purchase. During the warranty period, **M2** will, at its option, either repair or replace products or components which prove to be defective. The warranty shall not apply to defects or damage resulting from:

- Improper or inadequate maintenance by user
- Improperly prepared installation site
- Unauthorized modifications or misuse
- Accident, abuse, or misapplication
- Normal wear

**M2** specifically does not warrant this product for any direct, indirect, consequential, or incidental damages arising from the use or inability to use the product. Some states or provinces do not allow the exclusion or limitation of liability for consequential or incidental damages so the above limitation may not apply.

In the event repair or replacement are necessary, purchaser shall contact M2 for return authorization. In many cases this contact can simplify and expedite the repair / replacement process and help reduce costs and downtime.

The purchaser shall be responsible for packing the product properly for return and for charges to ship the product to **M2**. Always include with the shipment, a statement detailing the problem / failure and any other pertinent observations. Insuring the product for shipment is recommended. Use the original packing materials whenever possible. **M2** is responsible for charges (**in the United States**) to return the repaired / replacement product only where warranty service is involved.

**M2 Antenna Systems, Inc. 4402 N. Selland Ave. Fresno, CA 93722**  
**(559) 432-8873 Fax (559) 432-3059 Web: [www.m2inc.com](http://www.m2inc.com)**