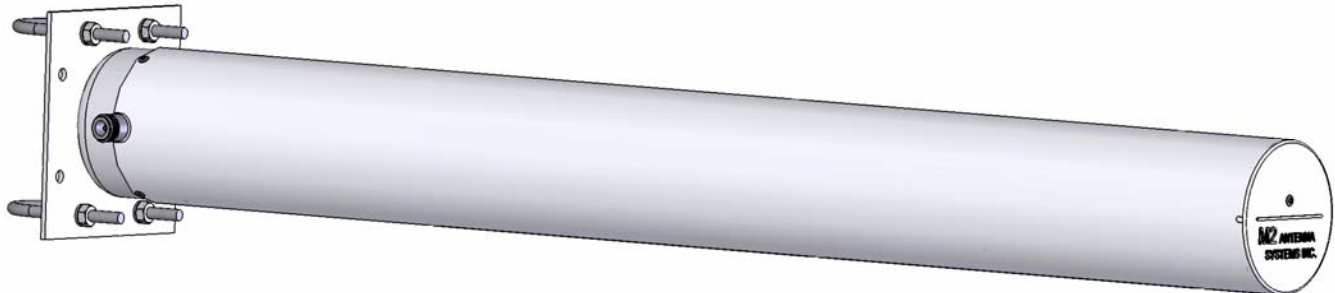




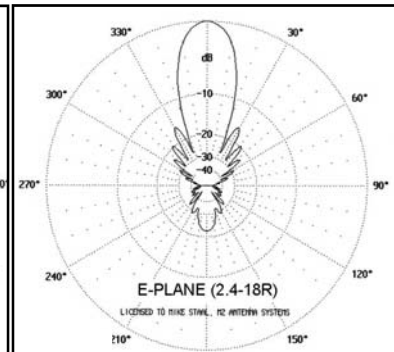
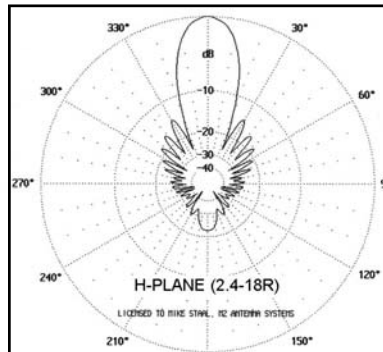
2.4-18R YAGI (2.4-2.5 GHz)

3-10-08



SPECIFICATIONS

MODEL.....2.4-18R
 FREQUENCY RANGE2.4-2.5 GHz
 GAIN.....18 dBi
 FRONT TO BACK.....17 dB
 VSWR.....1.5:1 MAX
 POLARITY.....VERT / HORZ
 FEED IMPEDANCE.....50 OHMS
 FEED CONNECTORN-FEMALE
 POWER HANDLING.....500 WATTS
 BOOM LENGTH.....35"
 RADOME DIA.....3.3"
 MAST SIZE.....1 1/4" TO 2"
 WIND AREA(.2) SQ FT.
 WIND RATING.....100 MPH
 WEIGHT.....1.5 LB



FEATURES

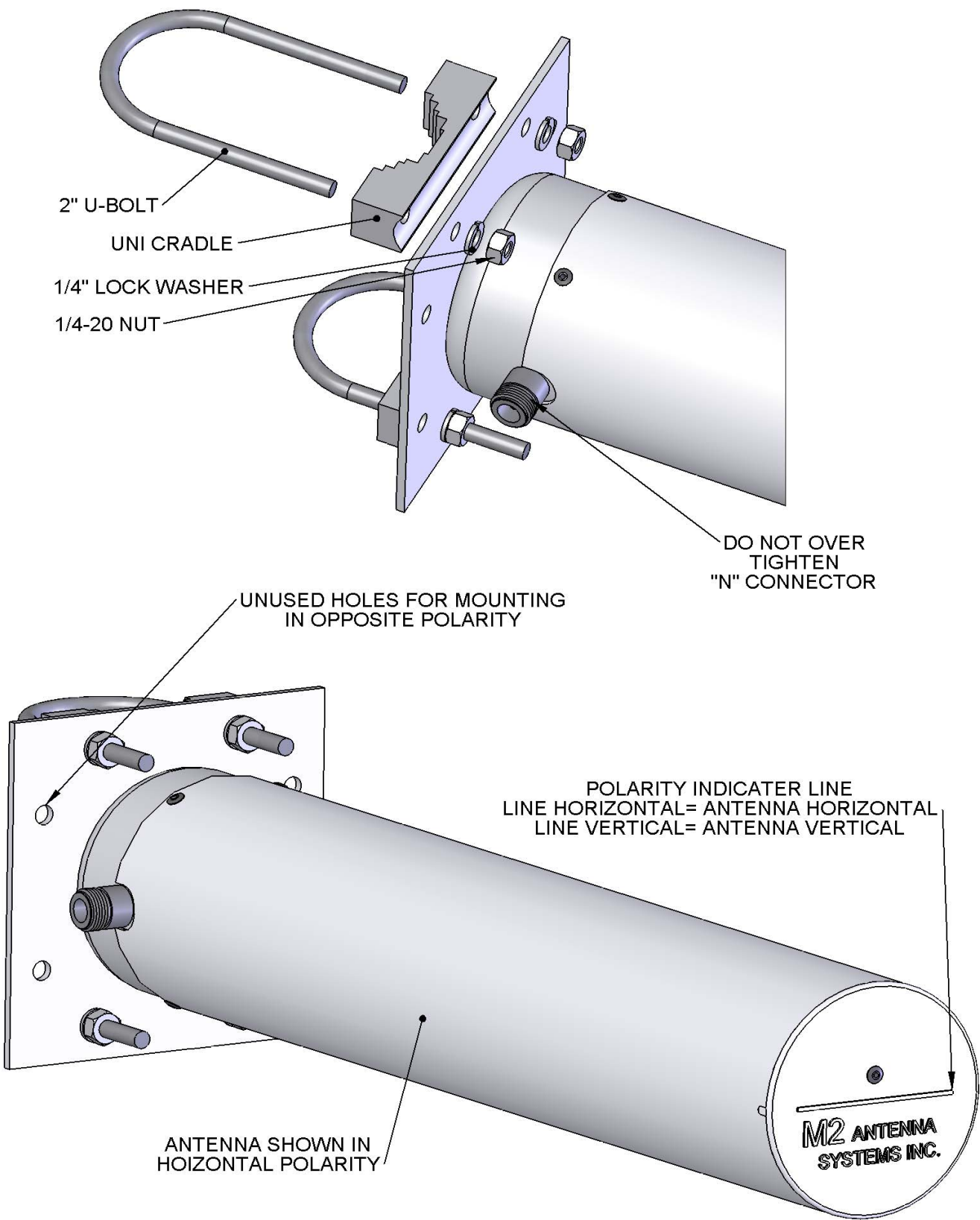
The **2.4-18R** is a high gain, Wave Guide Fed Yagi. Computer optimized for use in the 2350-2500 MHz band. Mechanically optimum computer calculations are held by CNC stamping out the director element structure. The low-loss Polyethylene Radome covers and adds to the strength of the antenna. Vertical or Horizontal polarization is achieved simply by rotating the antenna 90 degrees.

The **2.4-18R** is one of the best performers for it's size in the market. If more gain is required, stacking two at 8" apart nets another 3.0 dB gain. All antenna hardware is stainless steel for long life.



2.4-18R MOUNTING DETAIL

3-10-08



2.4-18R PARTS LIST

3-10-08

DESCRIPTION	QTY
2.4-18R ANTENNA.....	1
ASSEMBLY MANUAL	1

HARDWARE BAG # 1:

NUT, 1/4-20, SS	4
LOCKWASHER, 1/4" SPLIT RING SS	4
U-BOLT, 2" SS	2
UNICRADLE.....	2

M² ANTENNA SYSTEMS, INC.
4402 N. SELLAND AVE.
FRESNO, CA 93722
(559) 432-8873 FAX: 432-3059
www.m2inc.com Email: sales@m2inc.com