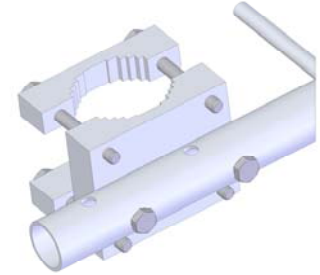
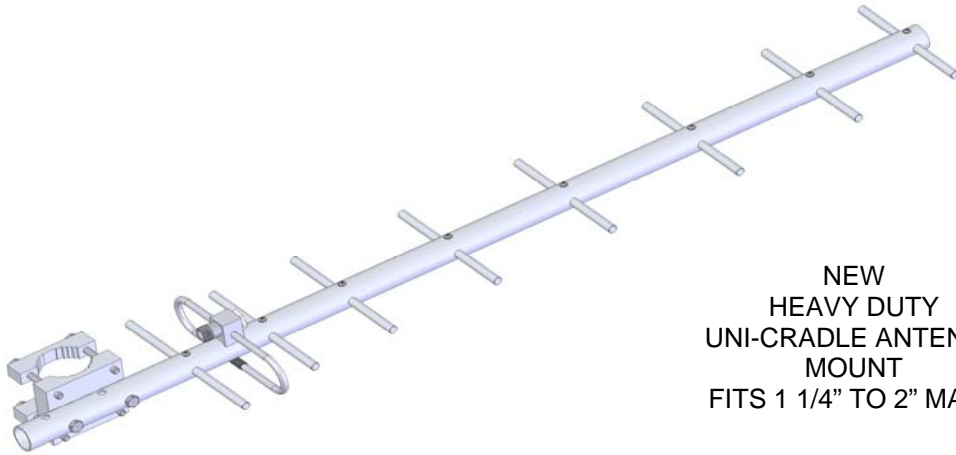




914A-ISP YAGI (900-930MHz)

12-16-08

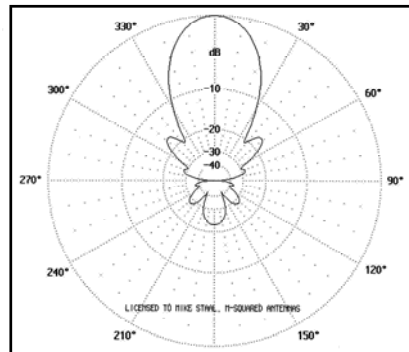


NEW
HEAVY DUTY
UNI-CRADLE ANTENNA
MOUNT
FITS 1 1/4" TO 2" MAST

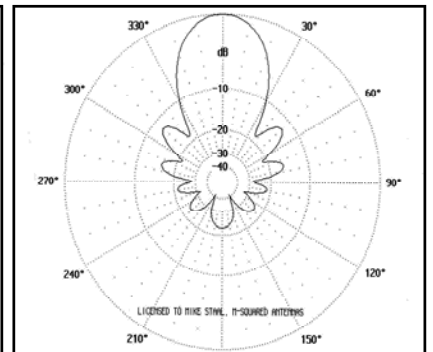
SPECIFICATIONS

MODEL.....914A-ISP
 FREQUENCY RANGE900-930 MHz
 USABLE RANGE.....880-940 MHz
 GAIN.....14.25 dBi
 FRONT TO BACK.....25 dB
 VSWR.....1.2:1 TYPICAL
 BEAM WIDTH.....H= 32° / E= 30°
 POLARITY.....VERT / HORZ
 STACKING DISTANCE28"
 FEED IMPEDANCE.....50 OHMS
 FEED CONNECTORN-FEMALE
 POWER HANDLING.....500 WATTS
 BOOM LENGTH36"
 BOOM DIA.....1"
 MAST SIZE.....1 1/4" TO 2"
 WIND AREA(.4) SQ FT.
 WIND RATING.....100 MPH
 WEIGHT.....3 LBS.

914A-ISP E-PLANE



914A-ISP H-PLANE



FEATURES

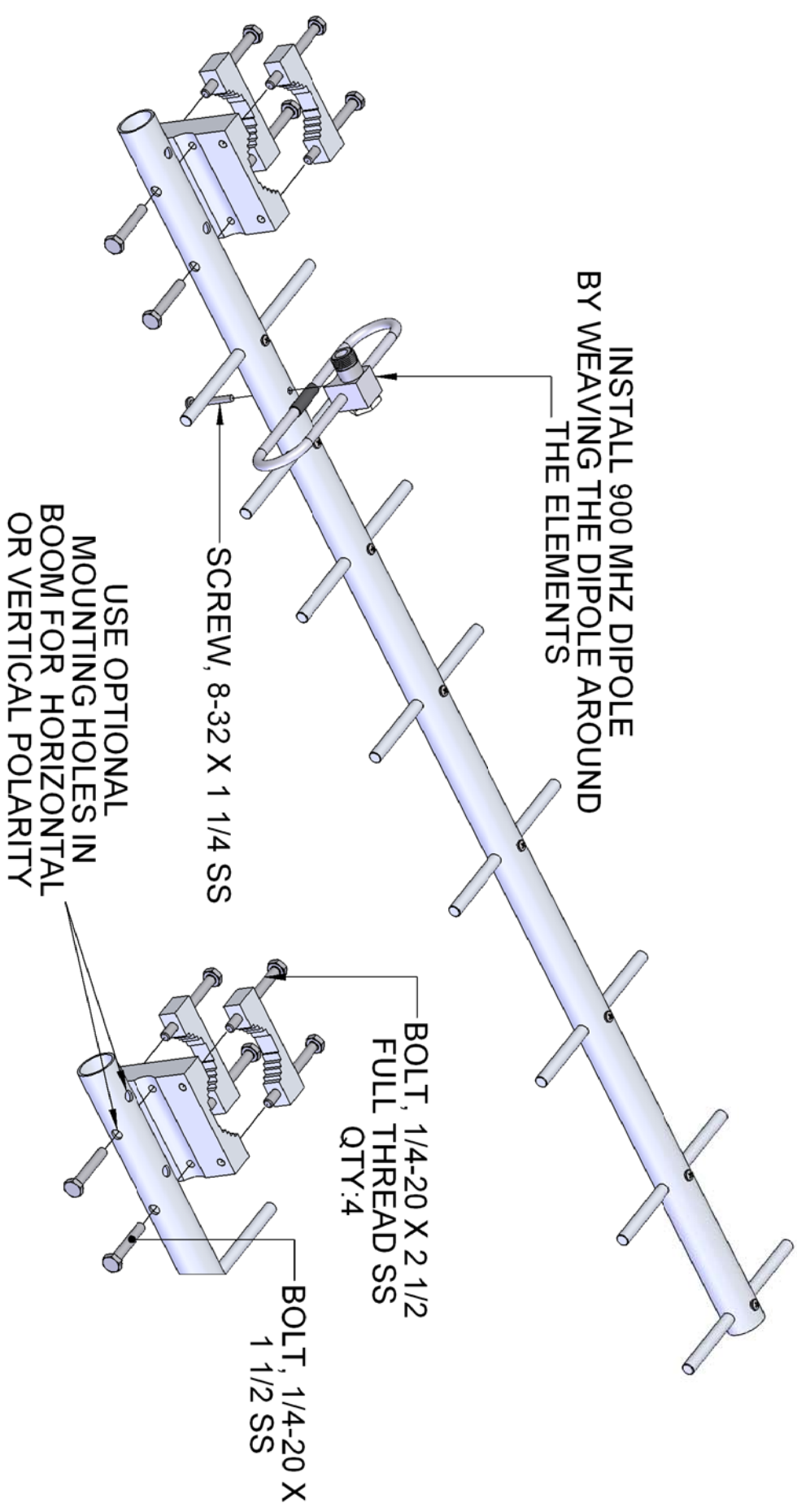
The **914A-ISP** Wireless internet antenna, has been designed to give you optimum performance for the smallest package size. **The new 5/16" element design decreases the effects of rain and light snow deterioration often seen in similar antennas.**

The heart of the **914A-ISP**, the folded dipole, provides a virtual flat match for over 30 MHz. The gain has been designed to roll-off quickly above range limits to prevent receiver overload from high power services above 930 MHz. The heavy duty two piece boom and 5/16" elements, give the ISP service confidence for superior performance and longevity.

The **914A-ISP** is a DC grounded antenna designed to work with many radios including the Wave Rider. The 3003 and 3004 Wave Rider radios have internal DC circuit protection built in. The 3000 model will work with the 917-ISP, but will default to the outside antenna once it sees a short.

Call about special bulk pricing !

914A-ISP ASSEMBLY MANUAL



**914A-ISP W/ HEAVY DUTY MOUNT
PARTS LIST**

12-16-08

DESCRIPTION.....	QTY
914AISP BOOM ASSY	1
FOLDED DIPOLE ASSEMBLY	1
ASSEMBLY MANUAL	1

IN HARDWARE BAGS:

UNI-CRADLE, (M2AMC0075)	1
UNI-CRADLE, (M2AMC0076)	2
BOLT, 1/4-20 X 2.5 FULL THREAD SS	4
BOLT, 1/4-20 X 1 1/2" SS.....	2
SCREW, 8-32 X 1-1/4", SS	1

M² ANTENNA SYSTEMS, INC.

4402 N. SELLAND AVE.

FRESNO, CA 93722

(559) 432-8873 FAX: 432-3059

www.m2inc.com Email: sales@m2inc.com