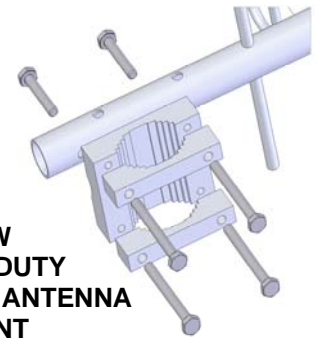
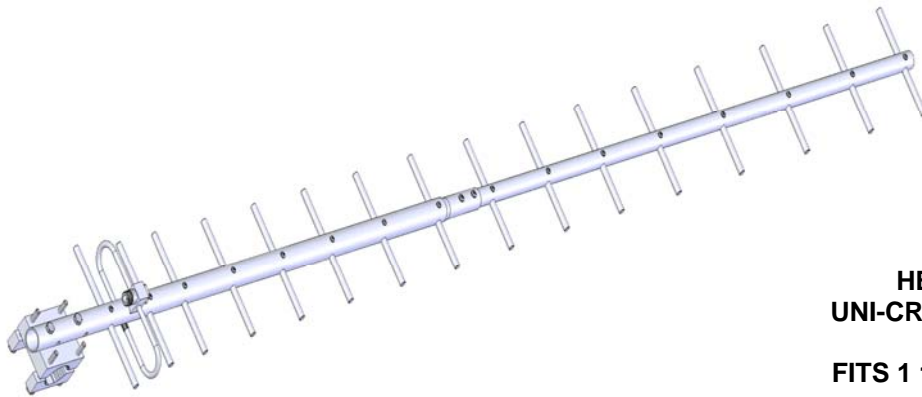




# 917A-ISP YAGI (900-930MHz)

12-16-08

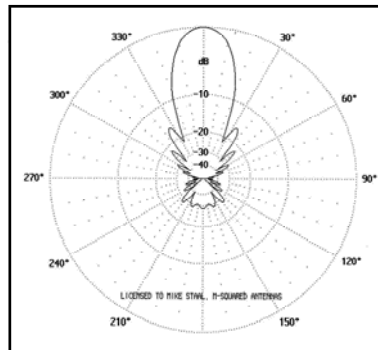


**NEW  
HEAVY DUTY  
UNI-CRADLE ANTENNA  
MOUNT  
FITS 1 1/4" TO 2" MAST**

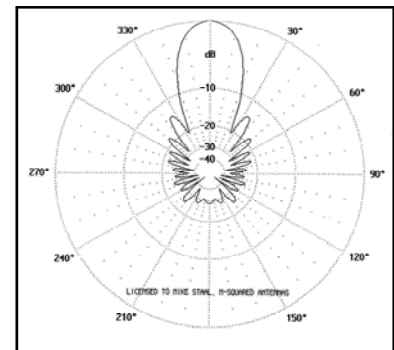
## SPECIFICATIONS

MODEL..... 917A-ISP  
 FREQUENCY RANGE ..... 900-930 MHz  
 USABLE RANGE..... 880-940 MHz  
 GAIN..... 17 dBi  
 FRONT TO BACK ..... 25 dB  
 VSWR..... 1.2:1 TYPICAL  
 BEAM WIDTH..... H= 22° / E= 20°  
 POLARITY ..... VERT / HORZ  
 STACKING DISTANCE ..... 28"  
 FEED IMPEDANCE..... 50 OHMS  
 FEED CONNECTOR ..... N-FEMALE  
 POWER HANDLING ..... 500 WATTS  
 BOOM LENGTH..... 74"  
 BOOM DIA. .... 1" TO 3/4"  
 MAST SIZE ..... 1 1/4" TO 2"  
 WIND AREA ..... (.4) SQ FT.  
 WIND RATING ..... 100 MPH  
 WEIGHT ..... 4 LBS.

917-ISP E-PLANE



917-ISP H-PLANE



## FEATURES

The **917A-ISP** Wireless internet antenna, is designed for deep fringe systems where standard panels or smaller yagi's just don't cut it. The antenna enables "Polarity Flexibility" in any given application. Low cost configured with dependability allows use even in strong signal areas for greater margin, which means less service calls. **The new 5/16" element design decreases the effects of rain and light snow deterioration often seen in similar antennas.**

The heart of the **917A-ISP**, the folded dipole, provides a virtual flat match for over 30 MHz. The gain has been designed to roll-off quickly above range limits to prevent receiver overload from high power services above 930 MHz. The heavy duty two piece boom and 5/16" elements, give the ISP service confidence for superior performance and longevity.

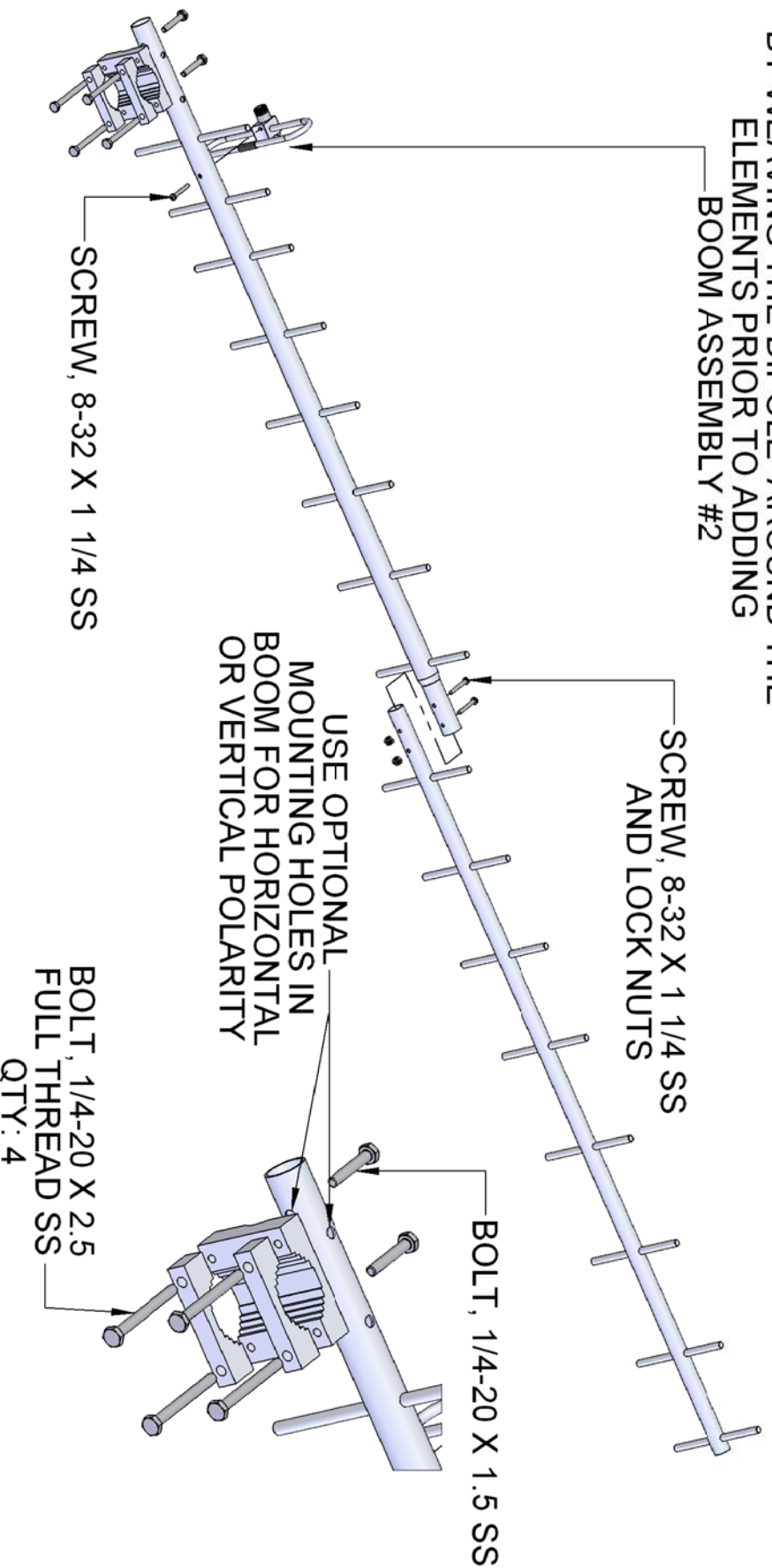
The **917A-ISP** is a DC grounded antenna designed to work with many radios including the Wave Rider. The 3003 and 3004 Wave Rider radios have internal DC circuit protection built in. The 3000 model will work with the 917-ISP, but will default to the outside antenna once it sees a short.

**4402 N. Selland Ave, Fresno, CA 93722 (559) 432-8873 FAX: 432-3059**

**www.m2inc.com Email: wyatt@m2inc.com**

# 917A-ISP ASSEMBLY MANUAL

INSTALL 900 MHZ DIPOLE  
BY WEAVING THE DIPOLE AROUND THE  
ELEMENTS PRIOR TO ADDING  
BOOM ASSEMBLY #2



SCREW, 8-32 X 1 1/4 SS  
AND LOCK NUTS

USE OPTIONAL  
MOUNTING HOLES IN  
BOOM FOR HORIZONTAL  
OR VERTICAL POLARITY

BOLT, 1/4-20 X 1.5 SS

BOLT, 1/4-20 X 2.5  
FULL THREAD SS  
QTY: 4

SCREW, 8-32 X 1 1/4 SS

**917A-ISP W/ HEAVY DUTY MOUNT  
PARTS LIST**

12-15-08

<b>DESCRIPTION .....</b>	<b>QTY</b>
917AISP BOOM ASSY #1 .....	1
917AISP BOOM ASSY #2 .....	1
FOLDED DIPOLE ASSEMBLY .....	1
ASSEMBLY MANUAL .....	1

**IN HARDWARE BAGS:**

UNI-CRADDLE, (M2AMC0075) .....	1
UNI-CRADDLE, (M2AMC0076).....	2
BOLT, 1/4-20 X 2.5 FULL THREAD SS .....	4
BOLT, 1/4-20 X 1.5 SS .....	2
SCREW, 8-32 X 1-1/4", SS .....	3
LOCKNUT, 8-32, SS .....	2

**M<sup>2</sup> ANTENNA SYSTEMS, INC.**  
4402 N. SELLAND AVE.  
FRESNO, CA 93722  
(559) 432-8873 FAX: 432-3059  
www.m2inc.com Email: sales@m2inc.com