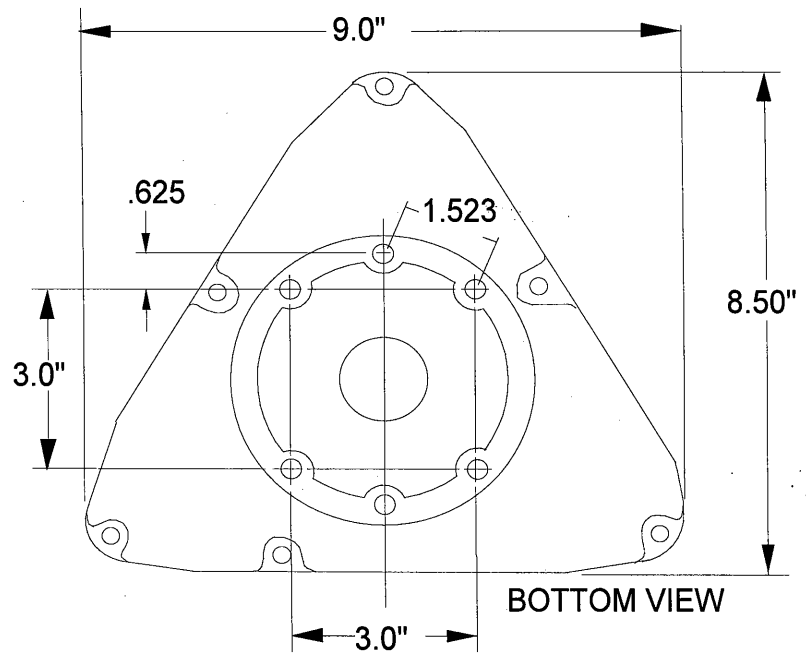


OR-2800DC POSITIONER HARDWARE AND DIMENSIONS



NOTE: FOR MAST DIAMETERS
OVER 2-1/2" CONTACT
M2 FOR LONGER BOLTS

3/8-24 X 4"
BOLT & FLATWASHER - 6X

3/8 FLATWASHER &
3/8-24 LOCKNUT - 6X

CENTER GUIDE: (OPTIONAL)
USED TO KEEP MAST
CENTERED. PLACE IT
OVER THE BOLT AND
SPACER.

1/4-20 x 1-1/4" BOLT
1/4" SPLIT RING LW
1/2" X 1/2" SPACER

3/8-24 X 2" BOLT,
FLATWASHER,
& LOCKNUT 4X

TOP PLATE
SPLINED SHAFT
AND HUB



CAUTION

TIGHTEN CENTER BOLT COMPLETELY!
THIS BOLT LIFTS THE SHAFT & OUTPUT
GEAR TO THE PROPER OPERATION HEIGHT
INSIDE THE POSITIONER. WITH THE SPACER
IT ALSO FORMS A LOOSE BEARING THAT THE
CENTER GUIDE USES TO STAY CENTERED.

3/8-24 x 3/4" BOLTS AND
LOCKWASHERS
QTY 6

1/4" MAX. WITH
3/4" BOLT