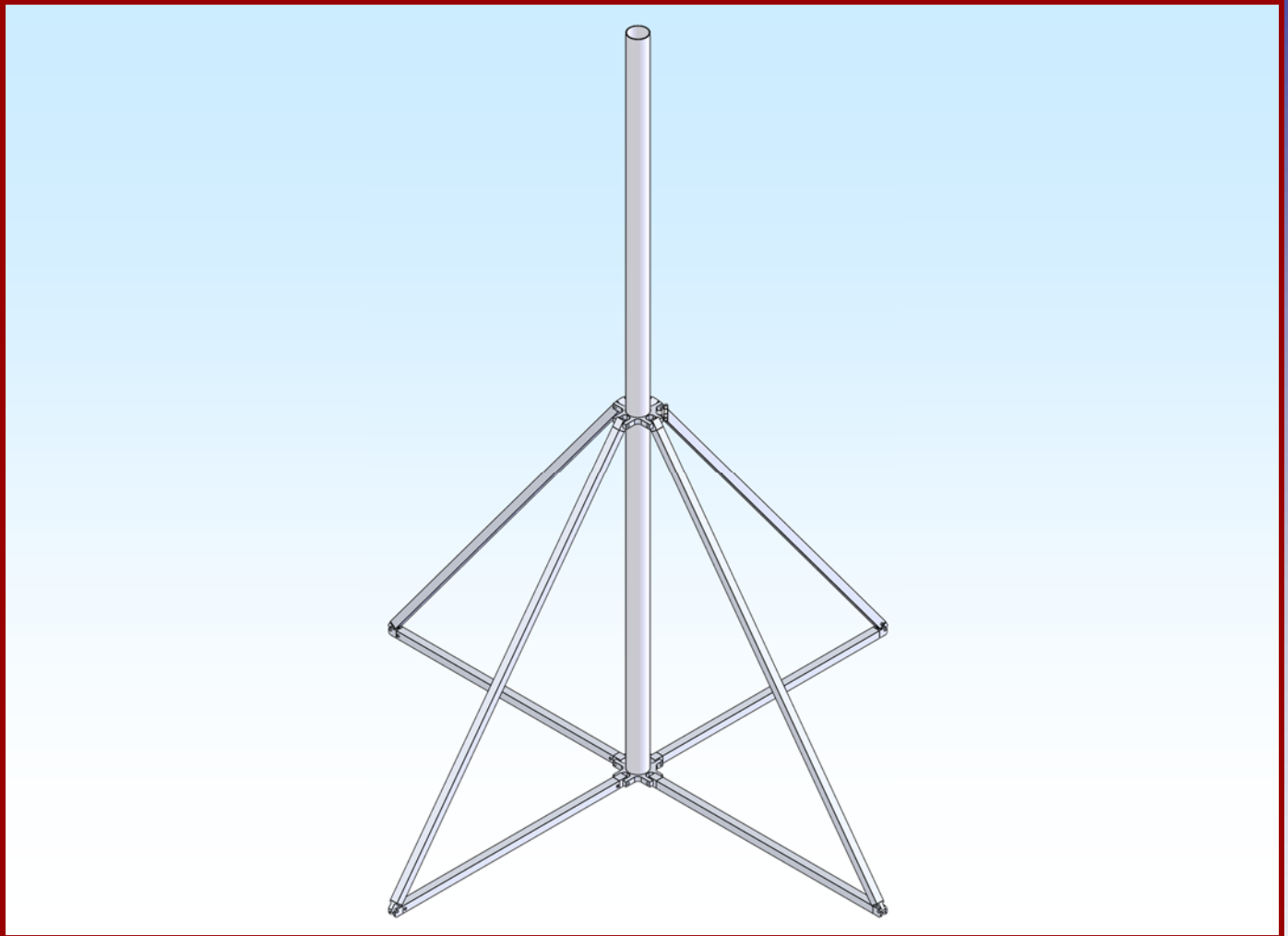




# M2 Antenna Systems, Inc.

## Model No: FGQDS74

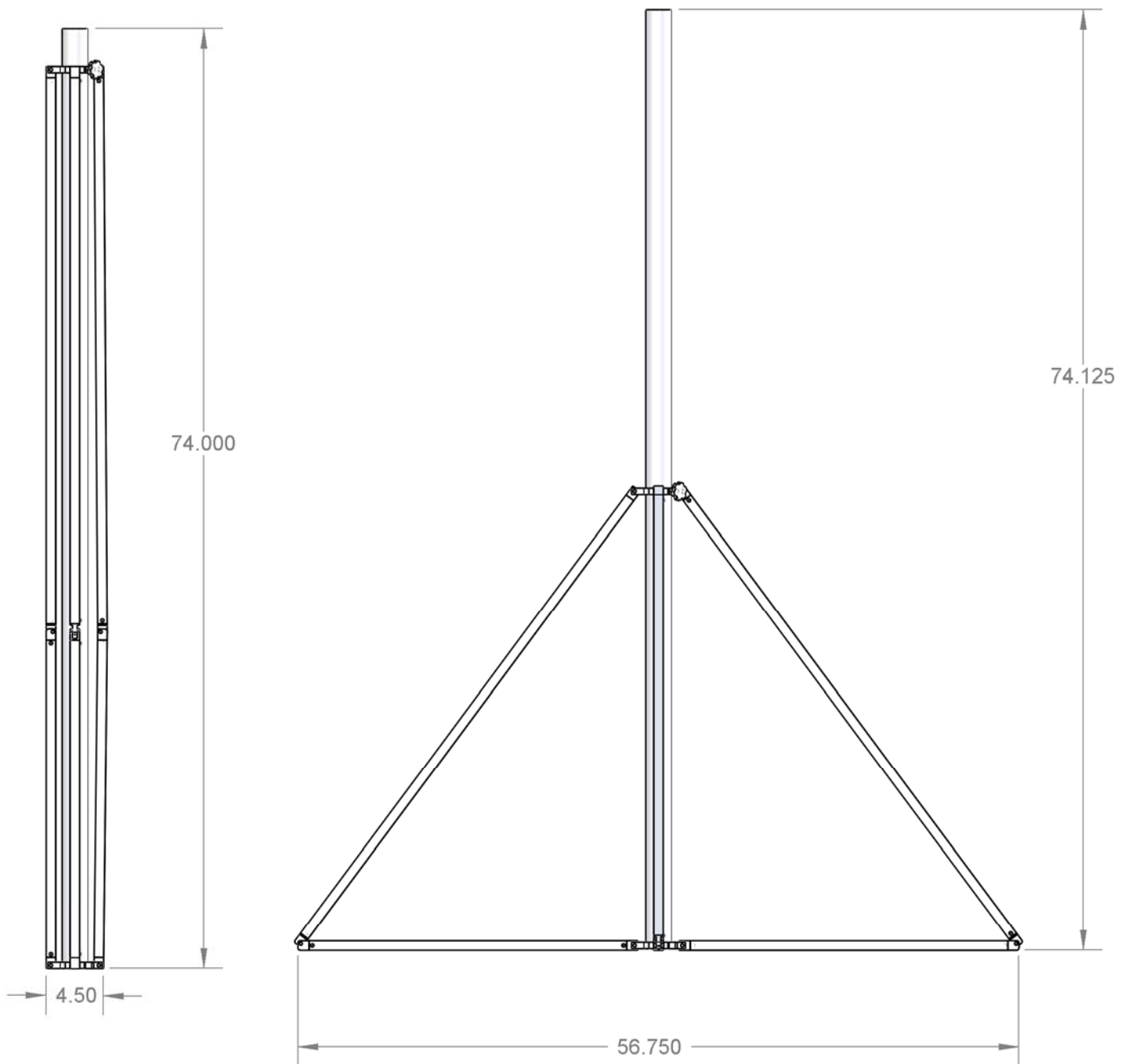


Model .....QDS74  
Collapsed Size .....74" x 4-1/2" x 4-1/2"  
Erected Size .....74" x 56-3/4" x 56-3/4"  
Mast Size.....2"  
Support Weight .....45 Lbs.  
Weight ..... 15 Lbs.  
Material.....Aluminum 6061-T6

### FEATURES:

The M2 QDS74 is a portable fold up antenna stand designed for portable, fixed or quick deploy operations that are sometimes sensitive. Tripod base can be adapted to many terrain elevations. The unit folds up into a 74" x 4-1/2" x 4-1/2" bundle for ease of transport. No assembly required. Special sizes or designs can be engineered for your particular application.

# QUICK DEPLOY 74" STAND



**M<sup>2</sup> ANTENNA SYSTEMS, INC.**  
4402 N. SELLAND AVE.  
FRESNO, CA 93722  
(559) 432-8873 FAX: 432-3059  
[www.m2inc.com](http://www.m2inc.com) Email: [sales@m2inc.com](mailto:sales@m2inc.com)

# STACK MAST KIT (OPTIONAL)

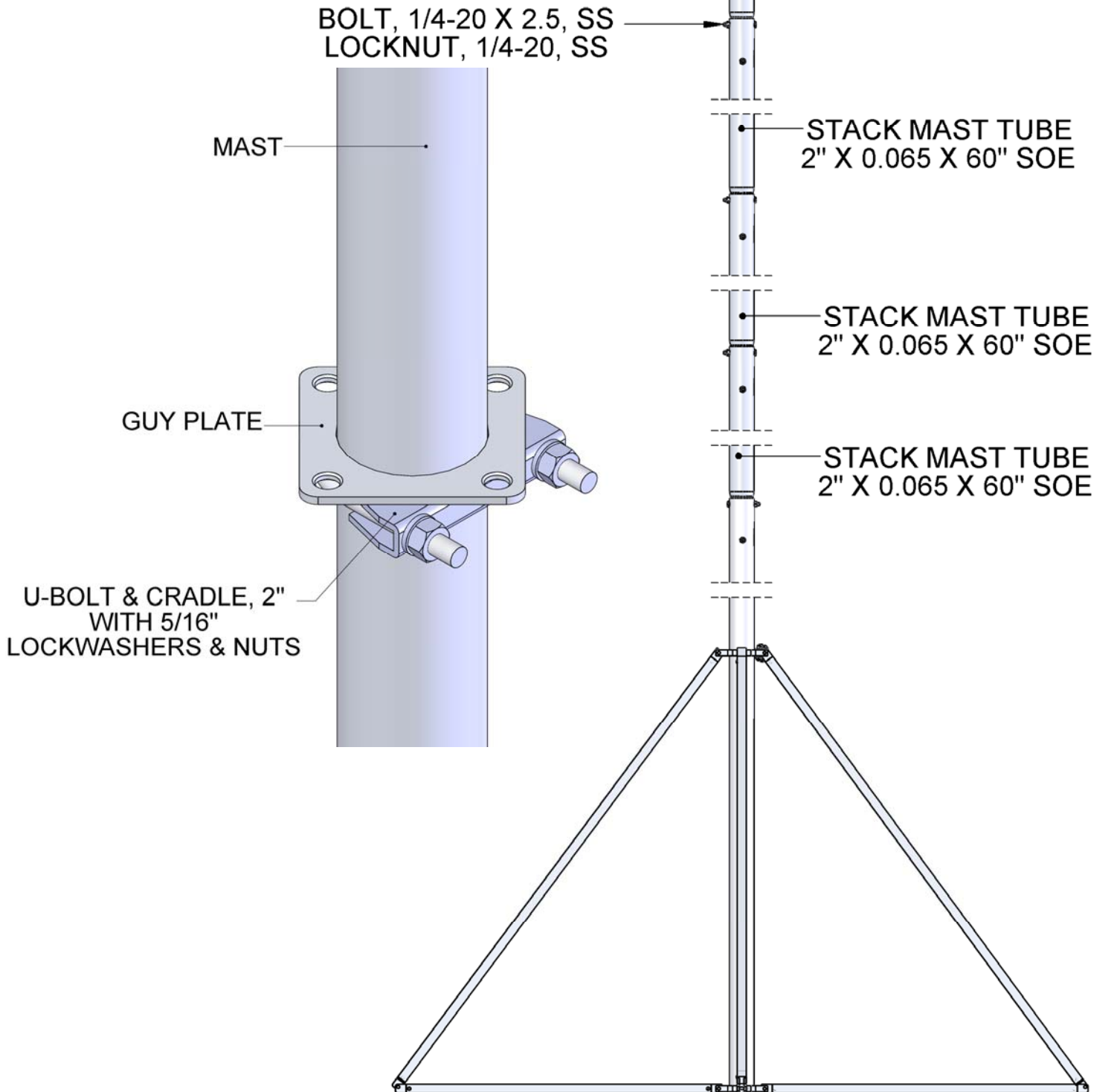
**IMPORTANT!**

USE SIDE GUY SUPPORT FOR SAFETY.

**NOTE:**

2" U-BOLT ALLOWS FOR GUY PLATE ALLOWS GUY PLATE TO BE PLACED WHERE NEEDED.

STACK MAST KIT WILL TOTAL 24.5' HIGH.



# QDS74 PARTS & HARDWARE

DESCRIPTION.....	QTY
BASE HUB W/TUBE ASSEMBLY .....	1
BASE LEG ASSEMBLY (SHORT) .....	4
SLIDER LEG ASSEMBLY (LONG) .....	4
SLIDER HUB.....	1
ASSEMBLY MANUAL.....	1

STACKABLE MAST OPTION .....	QTY
STACK MAST TUBE, 2" X 0.065 X 60" SOE .....	4
BOLT, 1/4-20 X 2-1/2", HEX HD,SS.....	8
BOLT, 1/4-20, NYLOCK,SS .....	8

GUY SUPPORT KIT	
GUY PLATE (M2AMP0095) .....	1
U-BOLT & CRADLE, 2" .....	1
NUT, 5/16-18,SS.....	2
LOCKWASHER, 5/16",SS.....	2
DACRON ROPE, 3/32" X 30' .....	4
STAKES, 12" .....	4

**M<sup>2</sup> ANTENNA SYSTEMS, INC.**  
4402 N. SELLAND AVE.  
FRESNO, CA 93722  
(559) 432-8873 FAX: 432-3059  
[www.m2inc.com](http://www.m2inc.com) Email: [sales@m2inc.com](mailto:sales@m2inc.com)