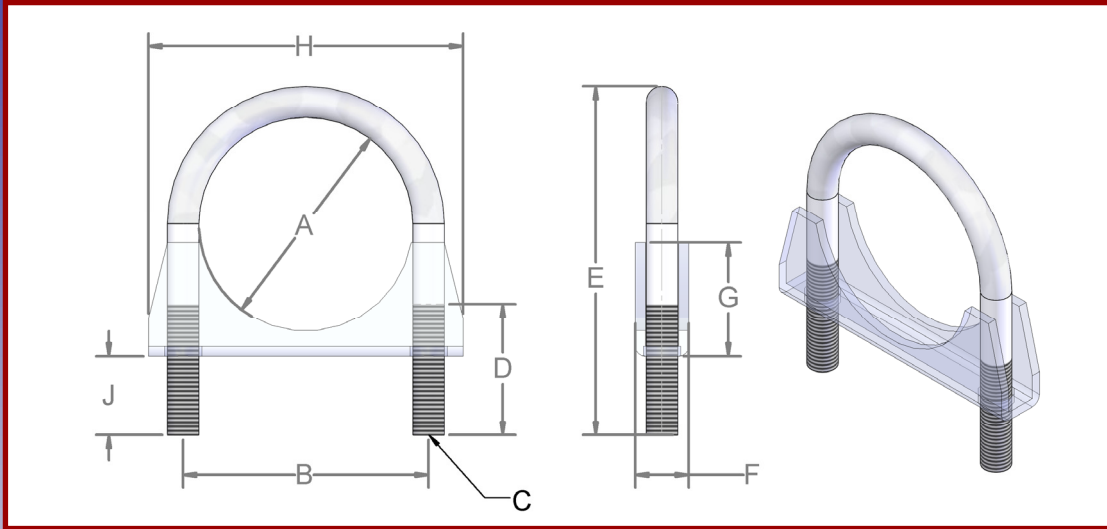




M2 Antenna Systems, Inc. U-Bolt & Cradle



PART # AND DIMENSION A	B	C	D	E	F	G	H	J	CLEARENCE DRILL HOLE
FGUB1.0 1.0 in. / 25.4 mm	1.250 in. 31.75 mm	1/4"-20	1.0 in. 25.4 mm	1.950 in. 49.53 mm	N/A	N/A	N/A	N/A	0.281 in. 7.1374
FGUB1.5 1.5 in. / 38.1 mm	2.0 in. 50.8 mm	5/16"-18	1.3 in. 33.02 mm	2.8 in. 71.12 mm	0.625 in. 15.875 mm	0.875 in. 22.225 mm	2.5 in. 63.5 mm	0.500 in. 12.7 mm	0.343 in. 8.7122
FGUB2.0 2.0 in. / 50.8 mm	2.437 in. 61.8998 mm	5/16"-18	1.3 in. 33.02 mm	3.313 in. 84.1502 mm	0.625 in. 15.875 mm	1.125 in. 28.575 mm	3.125 in. 79.375 mm	0.782 in. 19.8628 mm	0.343 in. 8.7122
FGUB2.0HD 2.0 in. HD / 50.8 mm HD	2.562 in. 65.0748 mm	3/8"-16	1.125 in. 28.575 mm	3.312 in. 84.1248 mm	0.7 in. 17.78 mm	1.125 in. 28.575 mm	3.25 in. 82.55 mm	0.625 in. 15.875 mm	0.406 in. 10.3124
FGUB2.5 2.5 in. / 63.5 mm	2.937 in. 74.5998 mm	5/16"-18	1.3 in. 33.02 mm	3.875 in. 98.425 mm	0.6875 in. 17.4625 mm	1.312 in. 33.3248 mm	3.7 in. 93.98 mm	0.750 in. 19.05 mm	0.343 in. 8.7122
FGUB3.0 3.0 in. / 76.2 mm	3.5 in. 88.9 mm	3/8"-16	1.5 in. 38.1 mm	4.875 in. 123.825 mm	0.6875 in. 17.4625 mm	1.6875 in. 42.8625 mm	4.375 in. 111.125 mm	1.125 in. 28.575 mm	0.406 in. 10.3124
FGUB4.0 4.0 in. / 101.6 mm	4.5 in. 114.3 mm	3/8"-16	1.5 in. 38.1 mm	5.875 in. 149.225 mm	0.875 in. 22.225 mm	2.625 in. 66.675 mm	5.5 in. 139.7 mm	0.875 in. 22.225 mm	0.406 in. 10.3124 mm
FGUB4.5 4.5 in. / 114.3 mm	5.0 in. 127.0 mm	3/8"-16	1.825 in. 46.355 mm	6.75 in. 171.45 mm	1.125 in. 28.575 mm	3.0 in. 76.2 mm	6.125 in. 155.575 mm	1.125 in. 28.575 mm	0.406 in. 10.3124 mm