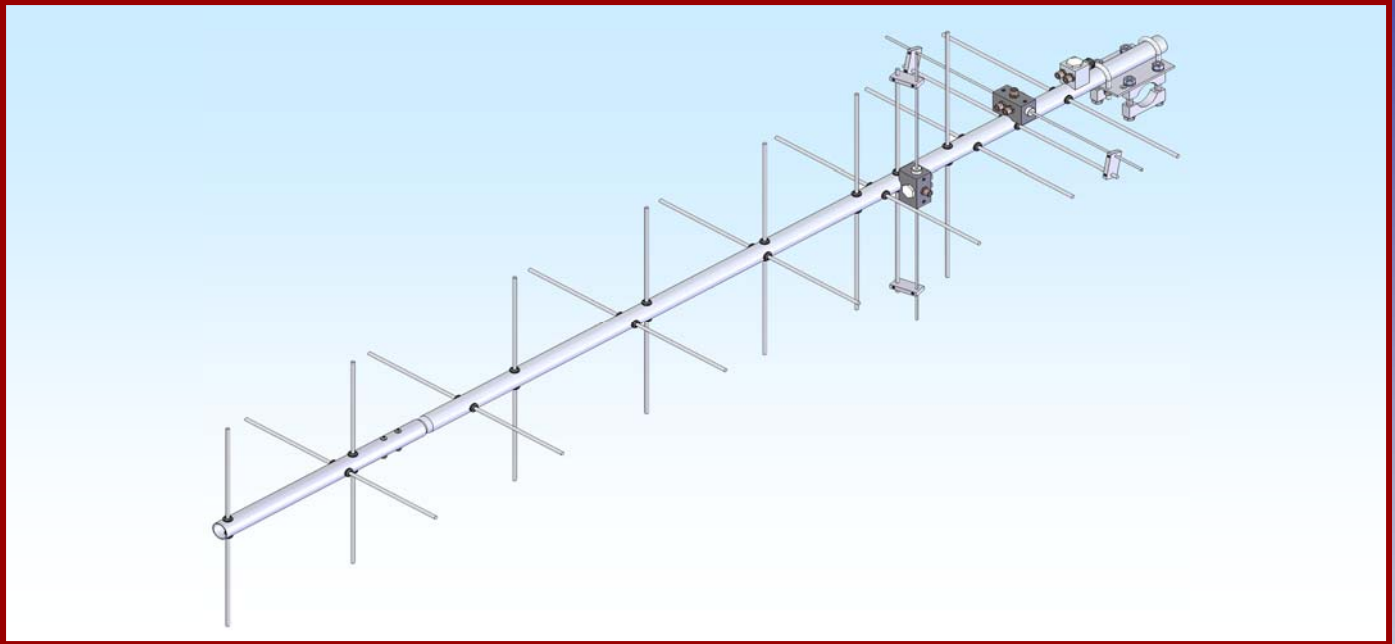




M2 Antenna Systems, Inc. Model No: 368CP16



SPECIFICATIONS:

Model	368CP16	Boom Length / Dia.....	66" / 1"
Frequency Range.....	360 To 380 mHz	Maximum Element Length.....	16-1/2"
*Gain	12.6 dBi	Turning Radius:	64"
Front to back	21 dB Typical	Stacking Distance.....	37"
Feed type	Folded Dipole	Mast Size.....	1-1/2" to 2" Nom.
Feed Impedance.	50 Ohms Unbalanced	Wind area / Survival	0.5 Sq. Ft. / 100MPH
Maximum VSWR.....	1.3:1	Weight / Ship Wt.....	5 Lbs. / 7 Lbs.
Input Connector.....	"N" Female		
Power Handling.....	1.5 kW		

***Subtract 2.14 from dBi for dBd**

FEATURES:

The 368CP16 is high performance circular polarized antenna with a remarkably clean pattern. The pattern is important in order to match the antenna's noise temperature with modern low noise preamps. This antenna is ideal for satellite work but is also excellent for terrestrial uses like ATV, repeater operation, and long haul tropo DX.

The CNC machined driven element module is O-ring sealed and weather tight for low maintenance and long-term peak performance. Internal connections are encapsulated in a space-age silicone gel that seals out moisture and improves power handling. The 3/16" 6061-T6 rod elements are centered to minimize interaction and maintain good ellipticity. Insulators are UV stabilized and locked in place with stainless keepers. Rugged construction, uncompromising performance for the boom length: that's the M² 368CP16!

368CP16 ASSEMBLY MANUAL

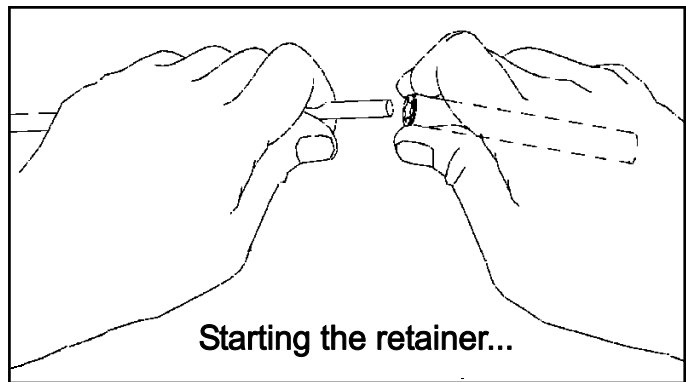
TOOL REQUIRED FOR ASSEMBLY: screwdriver, 11/32 nut driver or wrench, 7/16" and 1/2" socket or end wrenches, measuring tape.

1. Assemble the boom using 8-32 X 1-1/4 screws and locknuts to join sections. (SEE DIMENSION SHEET).

ASSEMBLING THE HORIZONTAL ELEMENTS

2. Lay out the elements by "Horizontal" length and position as shown the DIMENSION SHEET. Start with the reflector (longest) element. Balance it on your finger to find rough center and push on a black button insulator to about 1/2" off center. Push the element through the holes 1.937" from the rear of the boom and install the second button, snuggling it up into boom. **DO NOT BOTHER CENTERING** the element at this time and **DO NOT INSTALL** the stainless steel shaft retainers yet. It is easier to do it after all the horizontal elements are installed in the boom.
3. Install the 3/16" rod **DRIVEN ELEMENT** as you did the reflector. Then continue with the installation of the **DIRECTORS**. **Note: the Director Elements do not consistently diminish in length from rear to front, so pay close attention to length and position.**
4. Now begin centering the elements. Use a tape measure to **EQUALIZE** the amount the element sticking out on each side of the boom. Once you have all the elements centered, sight down the element tips from the rear comparing each side. Look for any obvious discrepancies and correct if found.

5. Stainless steel **SHAFT RETAINERS** lock the elements in place. They should always be used for permanent and long term antenna installations. For portable or temporary use, the button insulators are adequate for holding the elements and the retainers may be left off. To install the stainless steel **SHAFT RETAINERS**, use thumb and forefinger to hold the retainer over the end of the **PUSH TUBE** (3/8" x 3" tube, supplied in the kit), internal fingers on retainer dished into tube. **HOLD THE ELEMENT FIRMLY TO PREVENT IT FROM SLIDING OFF CENTER**



- and press the retainer onto the element end and continue until retainer butts on insulator button. Locking pliers, **lightly** clamped up against opposite button insulator will help maintain center reference (if you push the first retainer too far, remove element from boom, push retainer completely off the element, and start over). Install another retainer to the opposite side of the element. Continue installing retainers until all elements are secured.
6. Mount the **HORIZONTAL DRIVEN ELEMENT ASSEMBLY** to the **TOP** of the boom using a single 8-32 X 1-1/4" screw (SEE PICTURE).
 7. Install the 8-32 x 1/4" set screws (internal Allen head - tool supplied) into the **SHORTING BARS**. Slide the bars onto the 1/8" Driven Element Block Rods and the 3/16" driven element rod. **Position the Shorting Bars as shown on dimension sheet.**

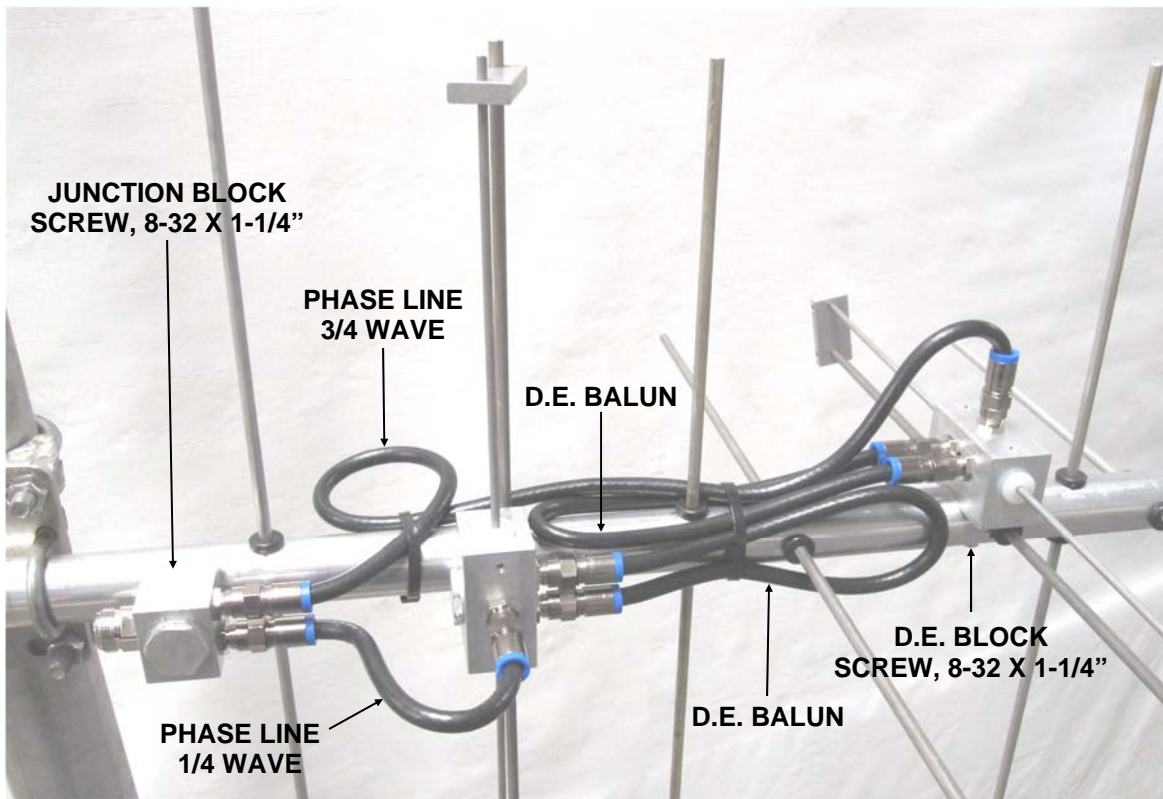
368CP16 ASSEMBLY MANUAL

ASSEMBLING THE VERTICAL ELEMENTS

Note: The vertical element set is shifted forward on the boom by 1/4 wave lengths. This increases isolation between element planes, improving circularity and ease of phasing / matching the two element sets.

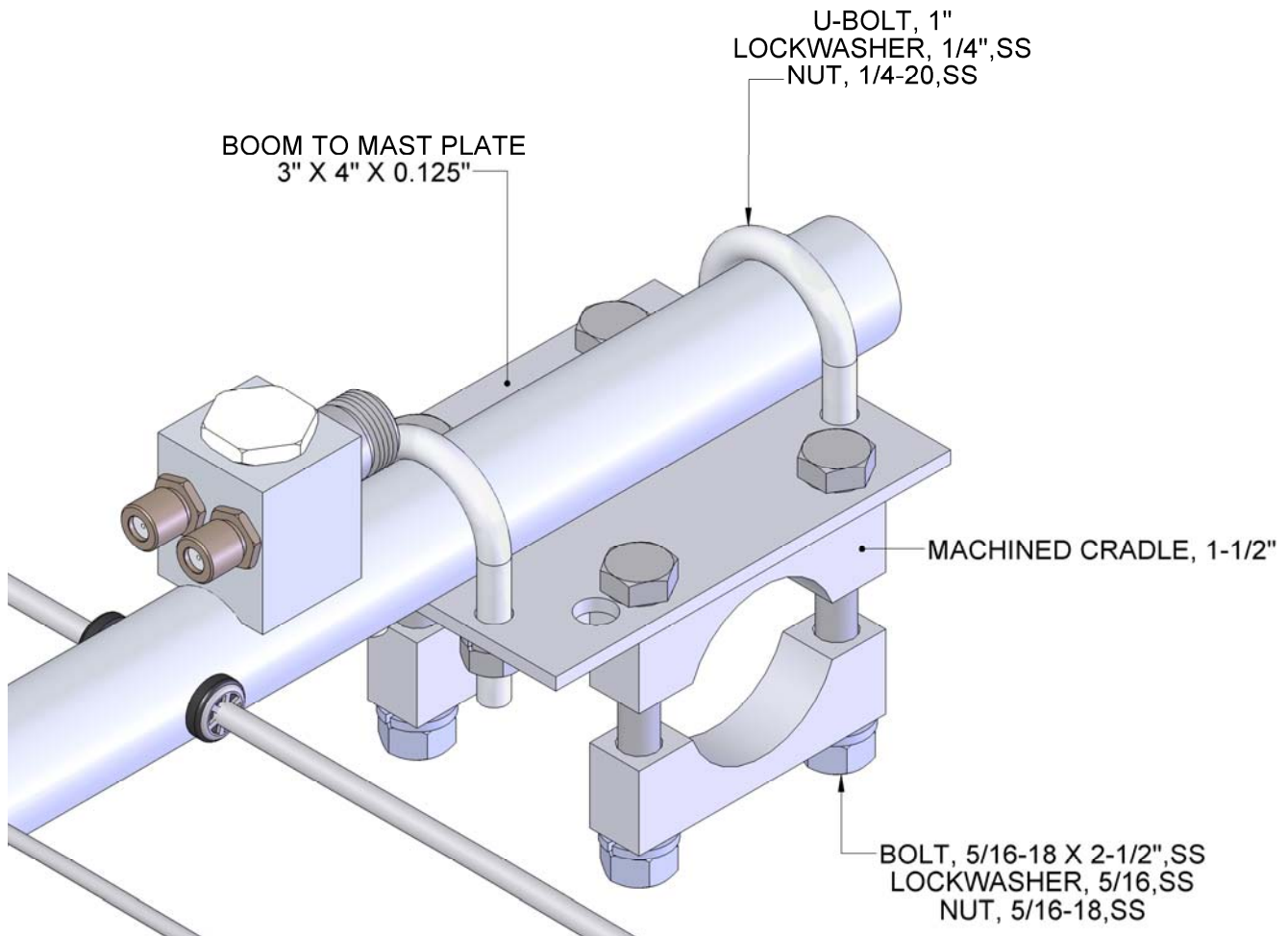
- Repeat steps #2 through #5 for the Vertical elements, using the Dimension Sheet as your guide to lengths and spacing.

INSTALLATION OF THE VERTICAL DRIVEN ELEMENT BLOCK DETERMINES THE CIRCULARITY OF THIS ANTENNA. THE ORIENTATION OF THE BLOCK FOR RHC - RIGHT HAND CIRCULARITY, IS SHOWN ON THE DIMENSION SHEET.



- Viewed from the rear of the boom (rearmost Reflector HORIZONTAL), the VERTICAL Driven Element Block mounts to the LEFT hand side of the boom with the two Balun connectors oriented to the REAR. Secure with 8-32 x 1-1/4" screw. Install the Shorting Bars as in step #7.
- Before installing the Baluns and Matching / Phasing Harness, thread 3/8" SEAL NUTS fully onto all connectors, with the black Neoprene face of the nuts facing out. Attach Baluns and Phasing lines to the Driven Element Blocks and Junction Block as shown on the picture below. Tighten the connectors **gently** using a 7/16" end wrench. Once the connectors are tight, back the Seal Nuts out and finger-tighten firmly up against the face of the connectors (or tighten **gently** with 1/2" end wrench). A lot of torque is unnecessary. Depending on model and polarity, the Vertical balun may loop around another element. This is normal. Form balun coax until it is close to the boom and secure with a nylon cable tie. Also secure the other balun and the matching / phasing harness coax with cable ties. Ties should be snug but not crushing or kinking the coax.
- Use good quality coax and "N" connector for your feedline (see Installation Tips). Secure feed coax near connector on Junction Block, to provide stress relief.
- Use two 1" U-bolts and the stainless nuts and lock washers provided. DO NOT OVER TIGHTEN. 1-1/2 Machined cradles with 5/16" hardware are provided for mounting the antenna to your NON-CONDUCTIVE mast or crossboom. Other size u-bolts and cradles are available upon request.

368CP16 ASSEMBLY MANUAL



M² ANTENNA SYSTEMS, INC.

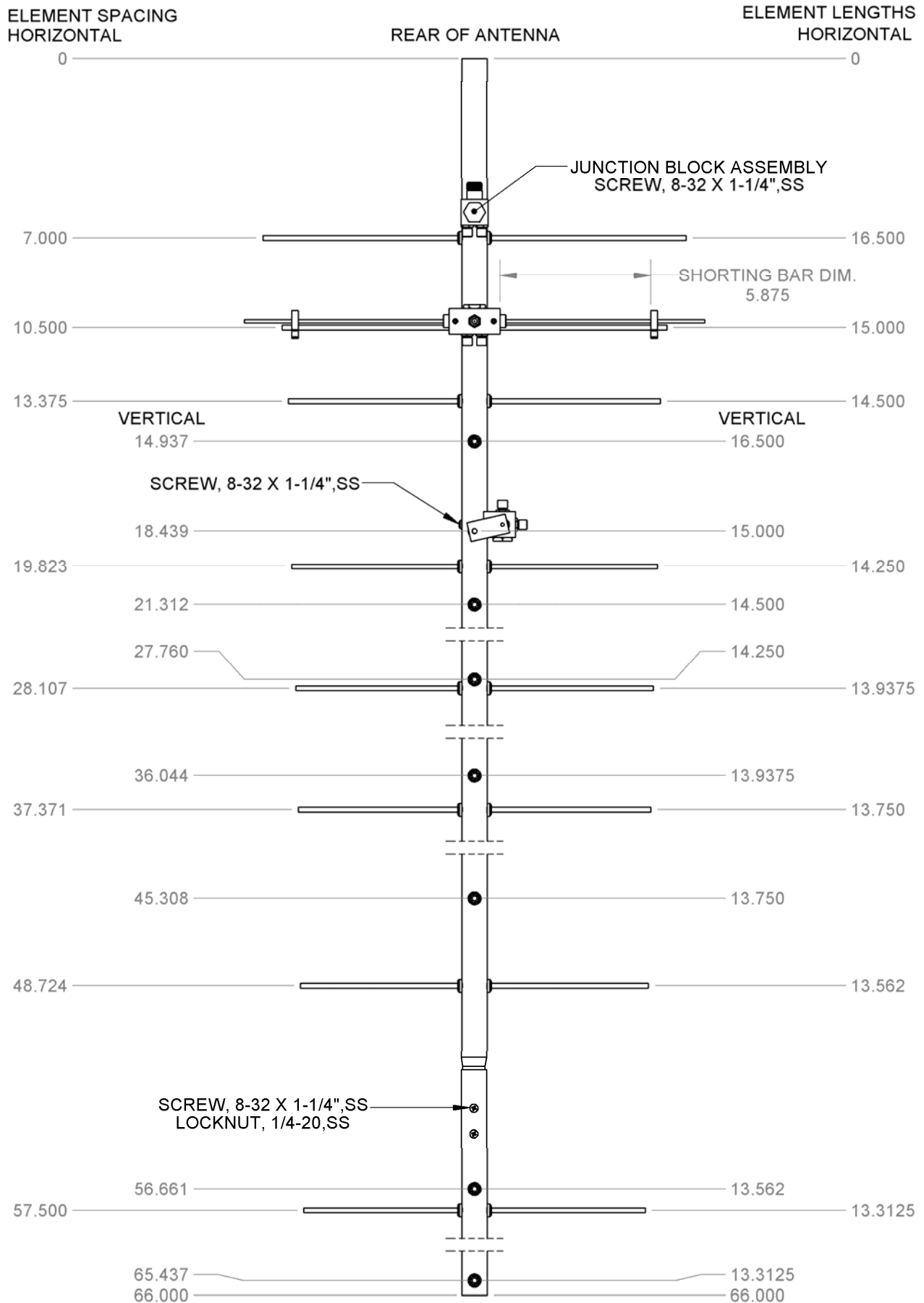
4402 N. SELLAND AVE.

FRESNO, CA 93722

(559) 432-8873 FAX: 432-3059

www.m2inc.com Email: sales@m2inc.com

368CP16 DIMENSION SHEET



368CP16 PARTS & HARDWARE

DESCRIPTION	QTY
BOOM SECTION # 1, 1" X 0.058 X 55" SOE W/SLEEVE	1
BOOM SECTION # 2, 1" X 0.058 X 14"	1
ELEMENTS, 3/16 ROD x DIM SHEET	16
DRIVEN ELEMENT ASSEMBLY	2
BALUN FOR D.E. ASSEMBLY, (RG-6 X 14.5")	2
PHASE LINE, 1/4 WAVE (RG-6 X 7.5")	1
PHASE LINE, 3/4 WAVE (RG-6 X 21.5")	1
JUNCTION BLOCK ASSEMBLY (SADE0065).....	1
BOOM-TO-MAST PLATE, 3 X 4 X .125" (M2APT0019)	1
SHORTING BAR, 1/4" X 3/4" (M2ASB0080)	4
MACHINED CRADLE 1-1/2", (M2AMC0125)	4
U-BOLT, 1"	2
ZIP TIE, (MEDIUM).....	5
PENETROX / ZINC PASTE CUP	1
ASSEMBLY MANUAL	1

HARDWARE:

BUTTON INSULATORS	36
SHAFT RETAINER, SS	36
BOLT, 5/16-18 X 2-1/2" SS.....	4
NUT, 5/16-18 SS.....	4
LOCKWASHER, 5/16 SS	4
NUT, 1/4-20 SS.....	4
LOCKWASHERS, 1/4 SS	4
SCREW, 8-32 X 1-1/4 SS.....	5
LOCKNUT, 8-32 SS.....	2
SETSCREW, 8-32 X 1/4, SS	8
SEAL NUTS, 3/8-32.....	8
ALLEN HEAD WRENCH, 5/64"	1
PUSH TUBE, 3/8 X 3"	1

M² ANTENNA SYSTEMS, INC.

4402 N. SELLAND AVE.

FRESNO, CA 93722

(559) 432-8873 FAX: 432-3059

www.m2inc.com Email: sales@m2inc.com