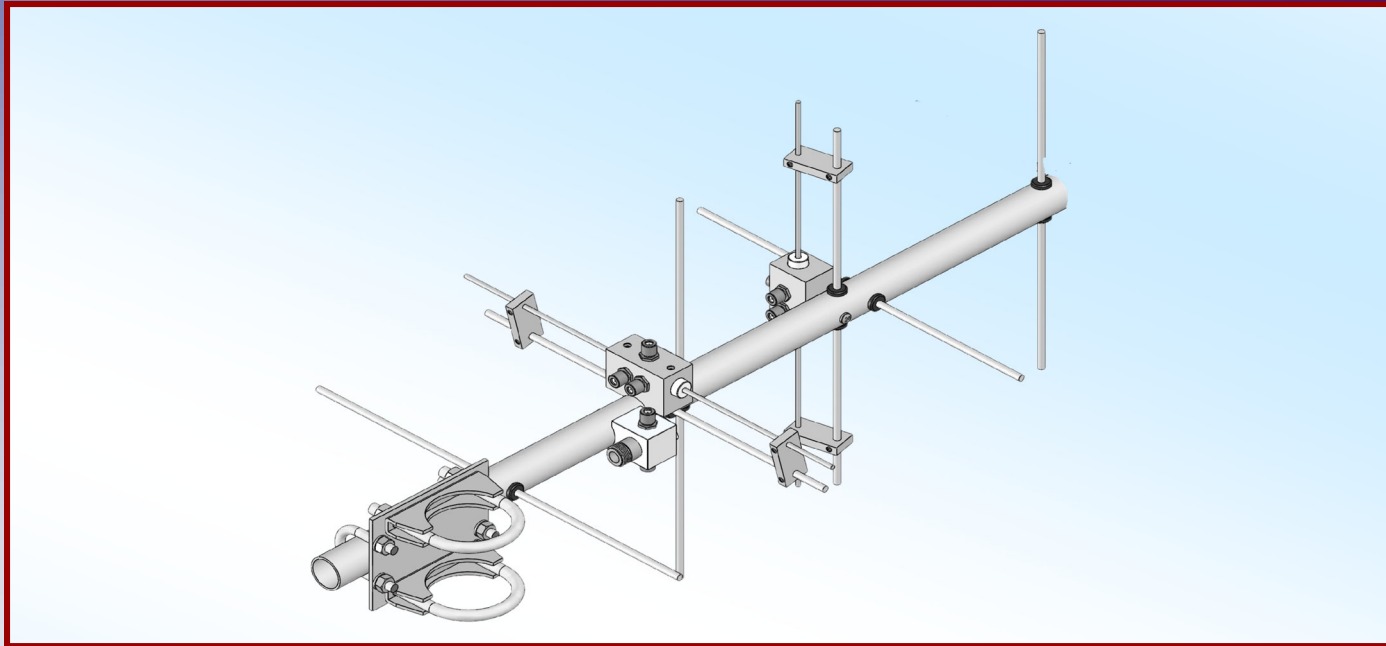




M2 Antenna Systems, Inc. Model No: 435XP6



SPECIFICATIONS:

Model	435XP6	Power Handling	1.5 kW
Frequency Range.....	425.6 to 432.46 MHz	Boom Length / Dia.....	23" / 1"
*Gain	8.43 dBi	Maximum Element Length.....	14"
Front to back	21 dB Typical	Turning Radius:	Call
Beamwidth	E=54° / H=48°	Stacking Distance.....	Call
Feed type	"T" Match	Mast Size.....	1-1/2" to 2" Nom.
Feed Impedance.....	50 Ohms Unbalanced	Wind area / Survival	0.07 Sq. Ft. / 100MPH
Maximum VSWR.....	1.5:1	Weight / Ship Wt.....	6 Lbs. / 8 Lbs.
Input Connector.....	"N" Female		

***Subtract 2.14 from dBi for dBd**

FEATURES:

The 435XP6 is a practical sized, yet high performance circular polarized antenna with a remarkably clean pattern. The pattern is important in order to match the antenna's noise temperature with modern low noise preamps. This antenna is ideal for satellite work but is also excellent for terrestrial uses like ATV, repeater operation, and long haul tropo DX.

The CNC machined driven element module is O-ring sealed and weather tight for low maintenance and long-term peak performance. Internal connected are encapsulated in a space-age silicone gel that seals out moisture and improves power handling. The 3/16" 6061-T6 rod elements are centered to minimize interaction and maintain good ellipticity. Insulators are UV stabilized and locked in place with stainless keepers. Rugged construction, uncompromising performance for the boom length.

435XP6 DIMENSION SHEET

ROUTE BOTH
FEED LINES
OFF REAR

