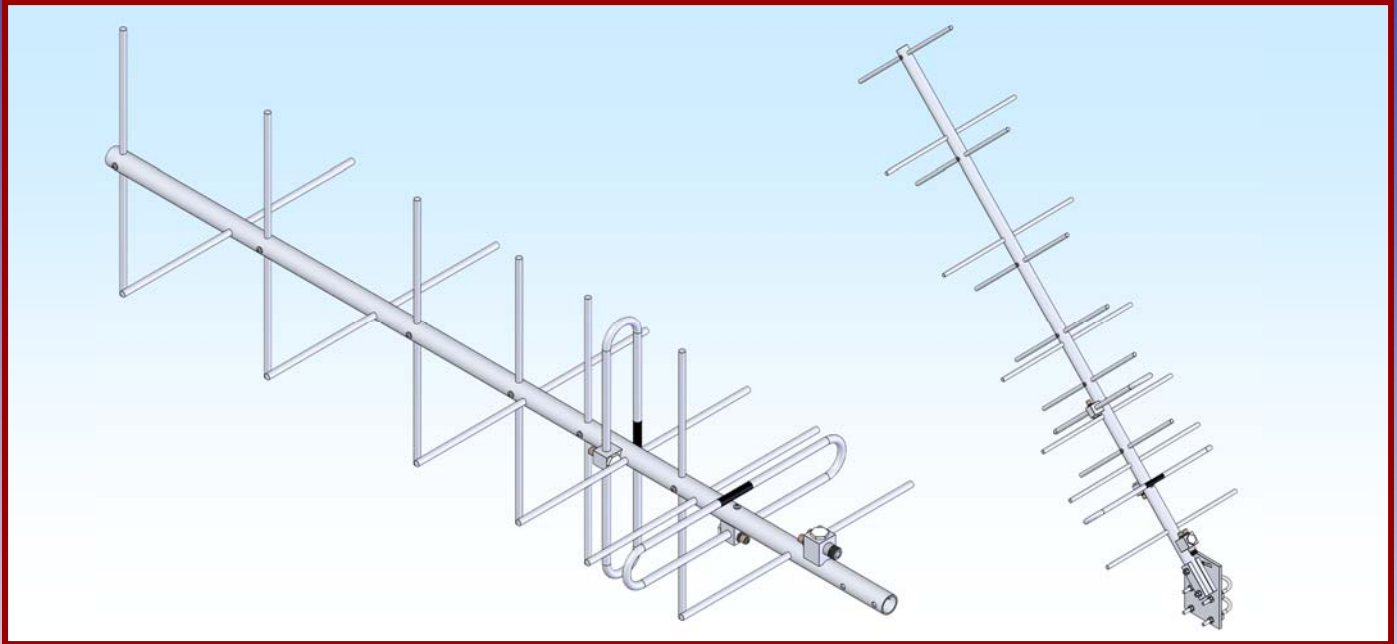




M2 Antenna Systems, Inc. Model No: 401CP14X



SPECIFICATIONS:

Model	401CP14X	Input Connector	"N" Female
Frequency Range.....	399-403 MHz	Power Handling	500 Watts
Centered Frequency	401.8 MHz	Boom Length / Dia.....	50" / 1"
*Gain	11.3 dBi	Maximum Element Length.....	14.625"
Front to back	23 dB Typical	Stacking Distance.....	28-31"
Beamwidth	30° Circular	Mast Size.....	1-1/4" to 2"
Feed type	Folded Dipole	Mounting Adjustments.....	Azimuth 0-360° Elevation 0-90°
Polarization	LHC or RHC Fixed	Wind Area / Survival.....	0.4 Sq. Ft. / 125MPH
Feed Impedance.....	50 Ohms Unbalanced	Weight / Ship Wt.....	6 Lbs. / 7 Lbs.
Maximum VSWR.....	1.5:1		

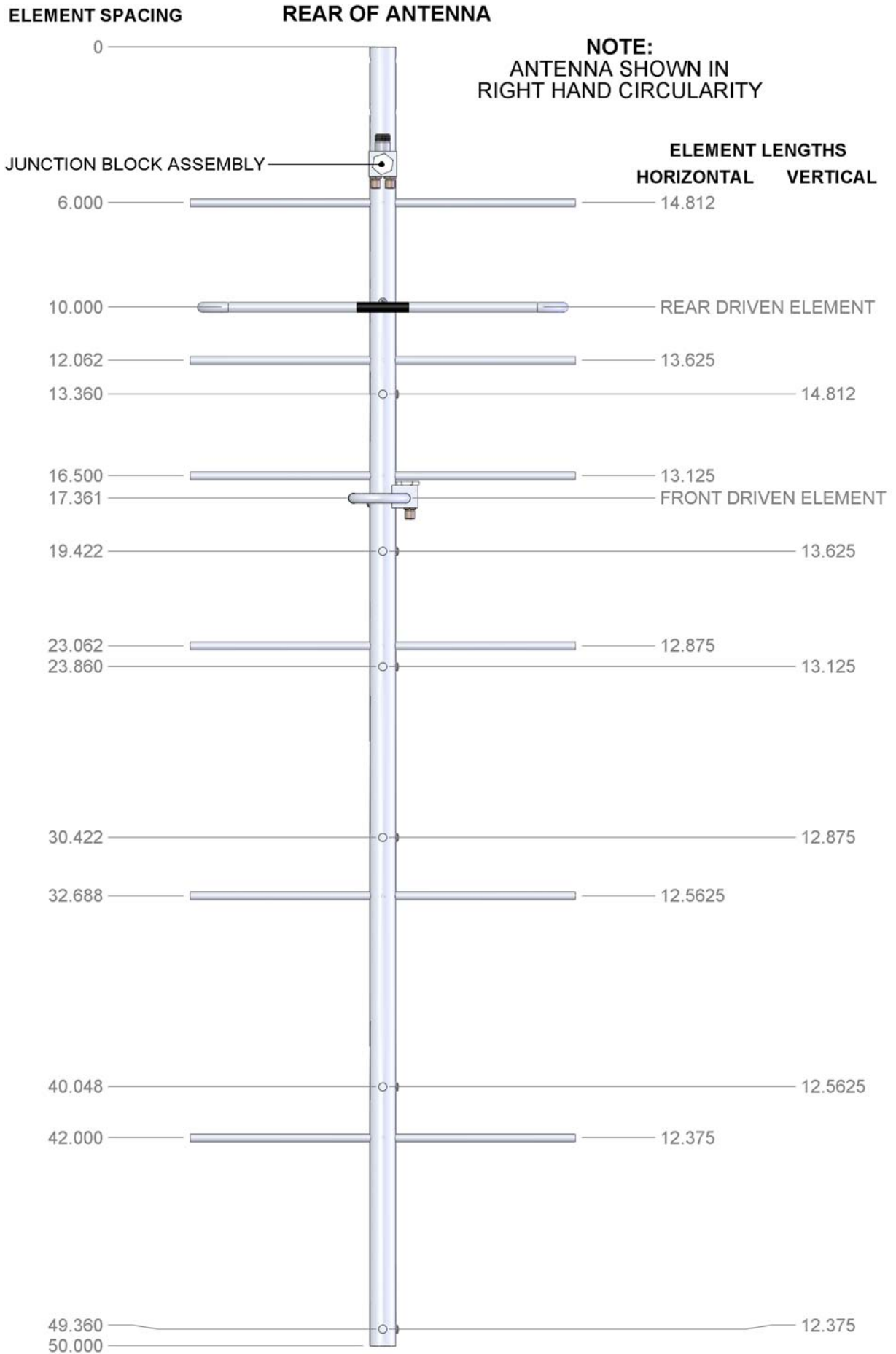
***Subtract 2.14 from dBi for dBd**

FEATURES:

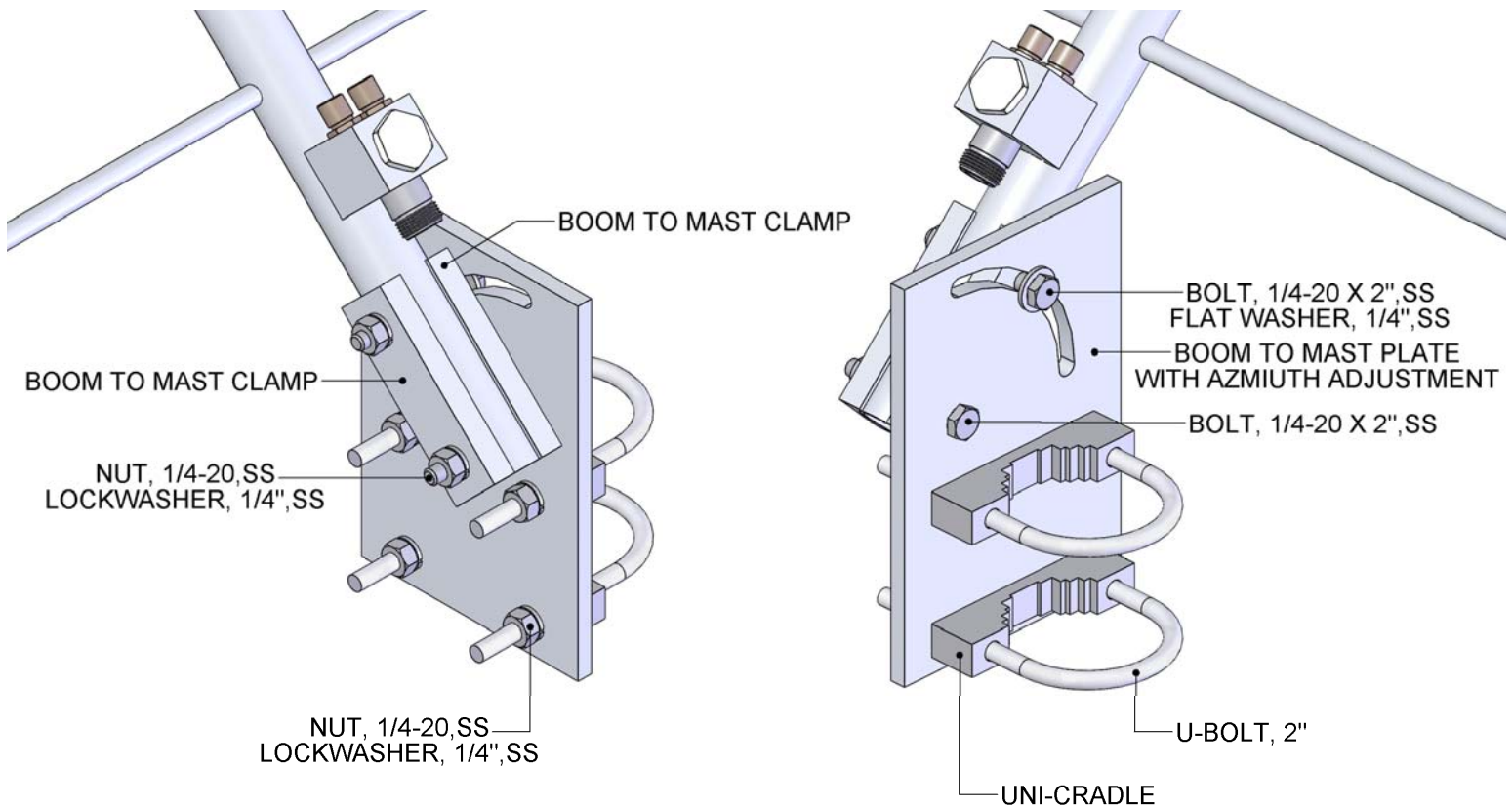
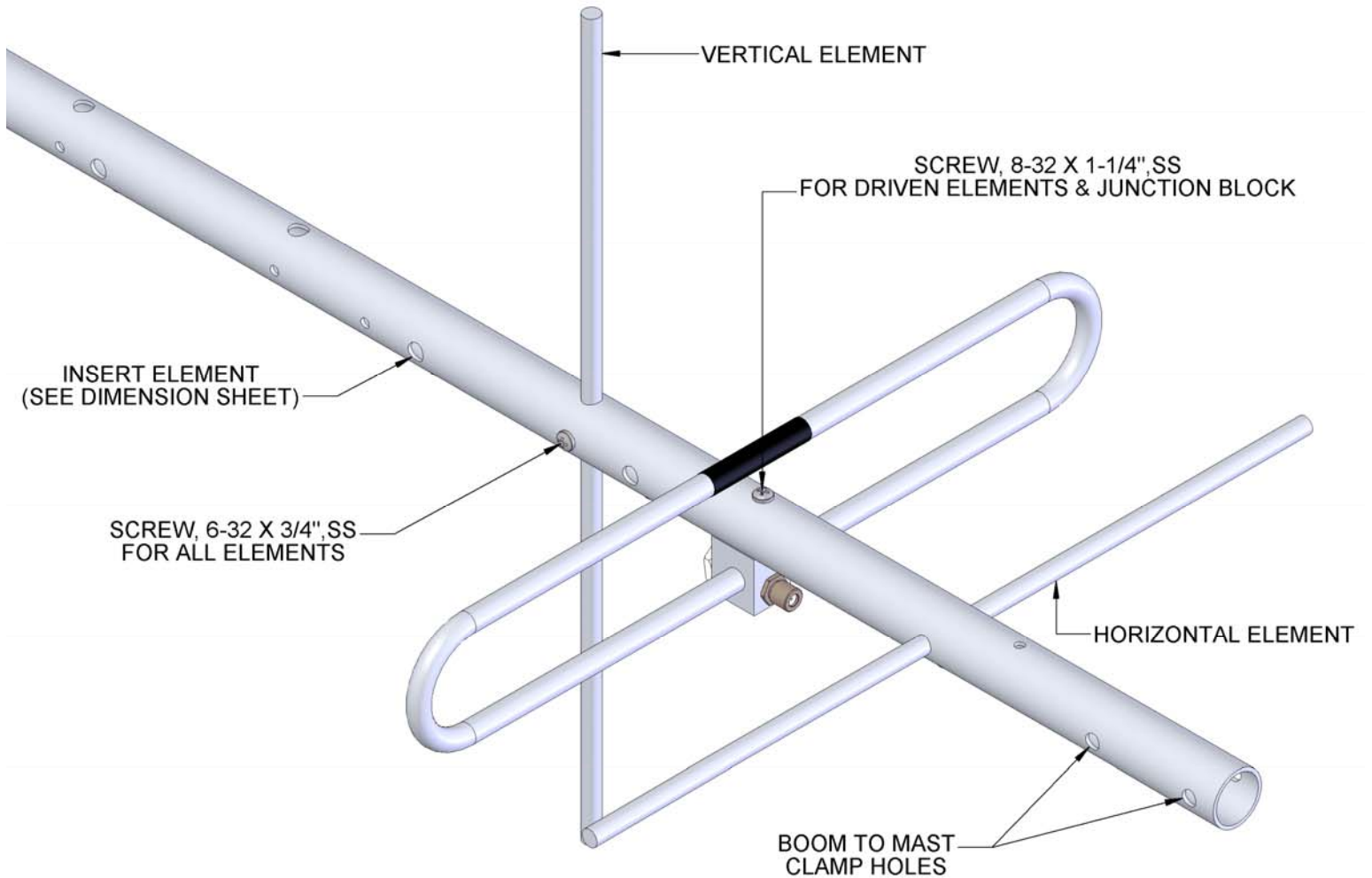
The **401CP14X** is a practical sized, yet high performance circular polarized antenna with a remarkably clean pattern. The **401CP14X** was designed for the Data Collection Platform (DCP) to the Geostationary Operational Environmental Satellite (GOES), used by the USGS. The **401CP14X** can be used with the Stand-Alone Hydro-Met Station with SatLink2.

The CNC machined folded dipole driven element module is O-ring sealed and weather tight for low maintenance and long-term peak performance. To meet the stringent requirements of a 125MPH wind survival, the antenna was built with a rugged 1" diameter boom. The heavy duty 5/16" diameter elements allow the antenna to continue to perform even with light snow or rain accumulation.

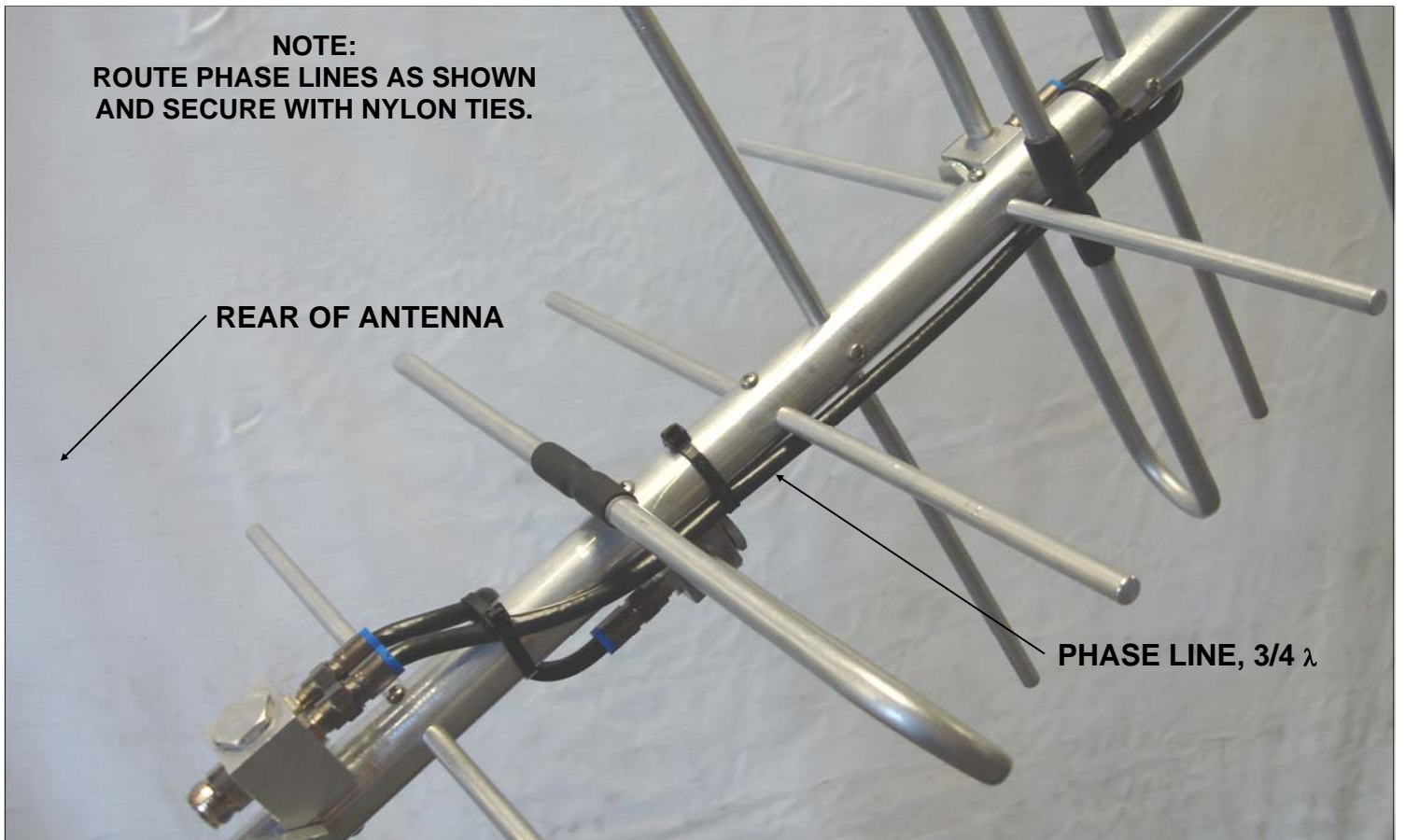
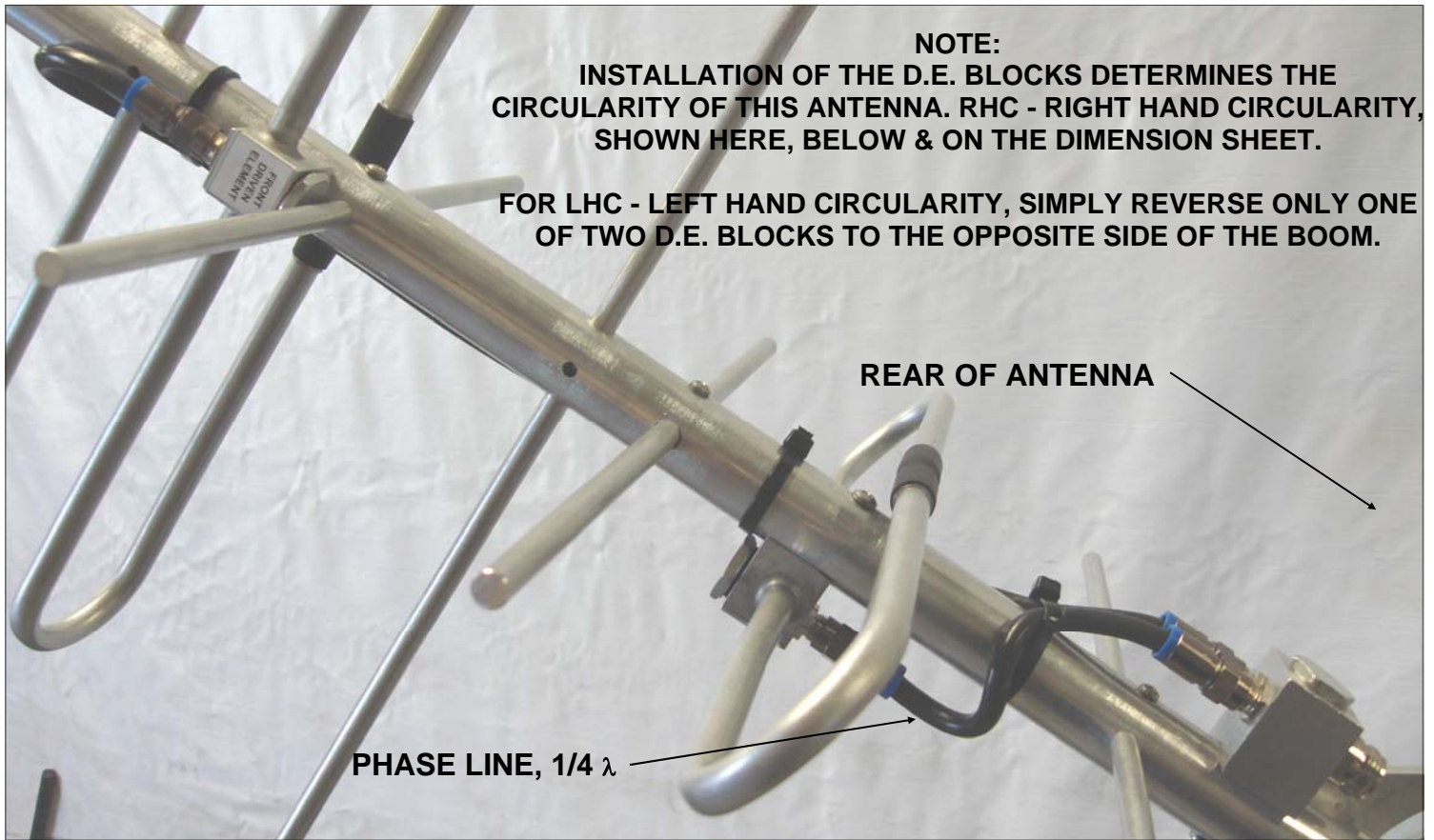
401CP14X DIMENSION SHEET



401CP14X ASSEMBLY MANUAL



401CP14X PHASE LINE DETAIL



401CP14X PARTS & HARDWARE

DESCRIPTION	QTY
MAIN BOOM, 1" X 0.058 X 50".....	1
ELEMENTS, 5/16" ROD x (SEE SHEET).....	12
DRIVEN ELEMENT ASSEMBLY (MARKED FRONT)	1
DRIVEN ELEMENT ASSEMBLY (MARKED REAR).....	1
JUNCTION BLOCK ASSEMBLY (SADE0065).....	1
BOOM TO MAST PLATE WITH AZMIUTH ADJUSTMENT.....	1
BOOM TO MAST CLAMP, 3/4" X 1" X 3"	2
PHASE LINE, RG-6 1/4 λ (7").....	1
PHASE LINE, RG-6 3/4 λ (19")	1
UNI-CRADLE, 1/2" X 3" X 3/4" (M2AMC0076).....	2
U-BOLT, 2",SS.....	2
ASSEMBLY MANUAL.....	1

HARDWARE:

BOLT, 1/4-20 X 2",SS.....	2
FLATWASHER, 1/4",SS	1
NUT, 1/4-20,SS.....	6
LOCKWASHER, 1/4,SS.....	6
SCREW, 8-32 X 1-1/4,SS.....	3
SCREW, 6-32 X 3/4",SS.....	12
CABLE TIE, 8" NYLON.....	4
SEAL NUTS, 3/8-32.....	4

M² ANTENNA SYSTEMS, INC.

4402 N. SELLAND AVE.

FRESNO, CA 93722

(559) 432-8873 FAX: 432-3059

www.m2inc.com Email: sales@m2inc.com