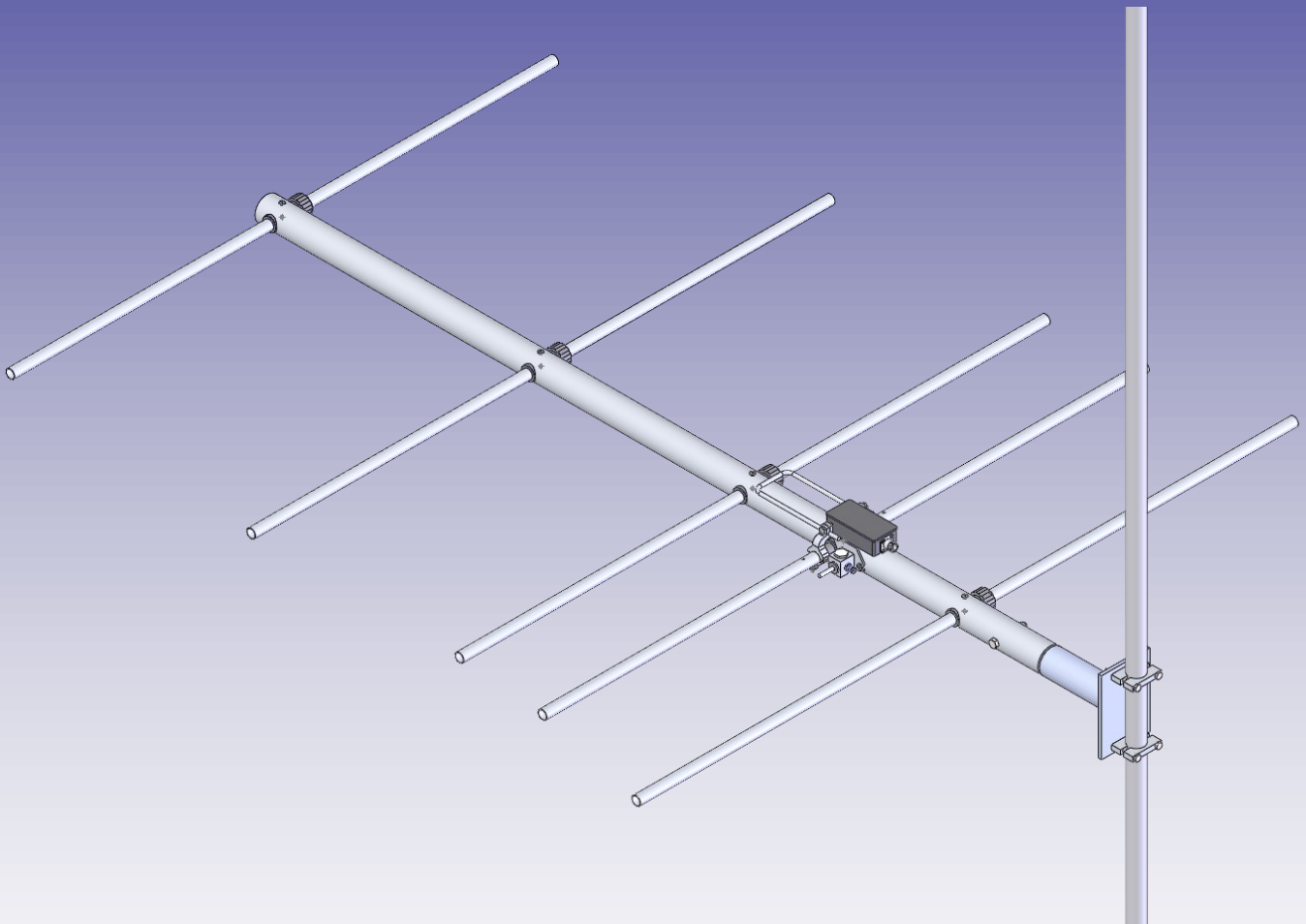


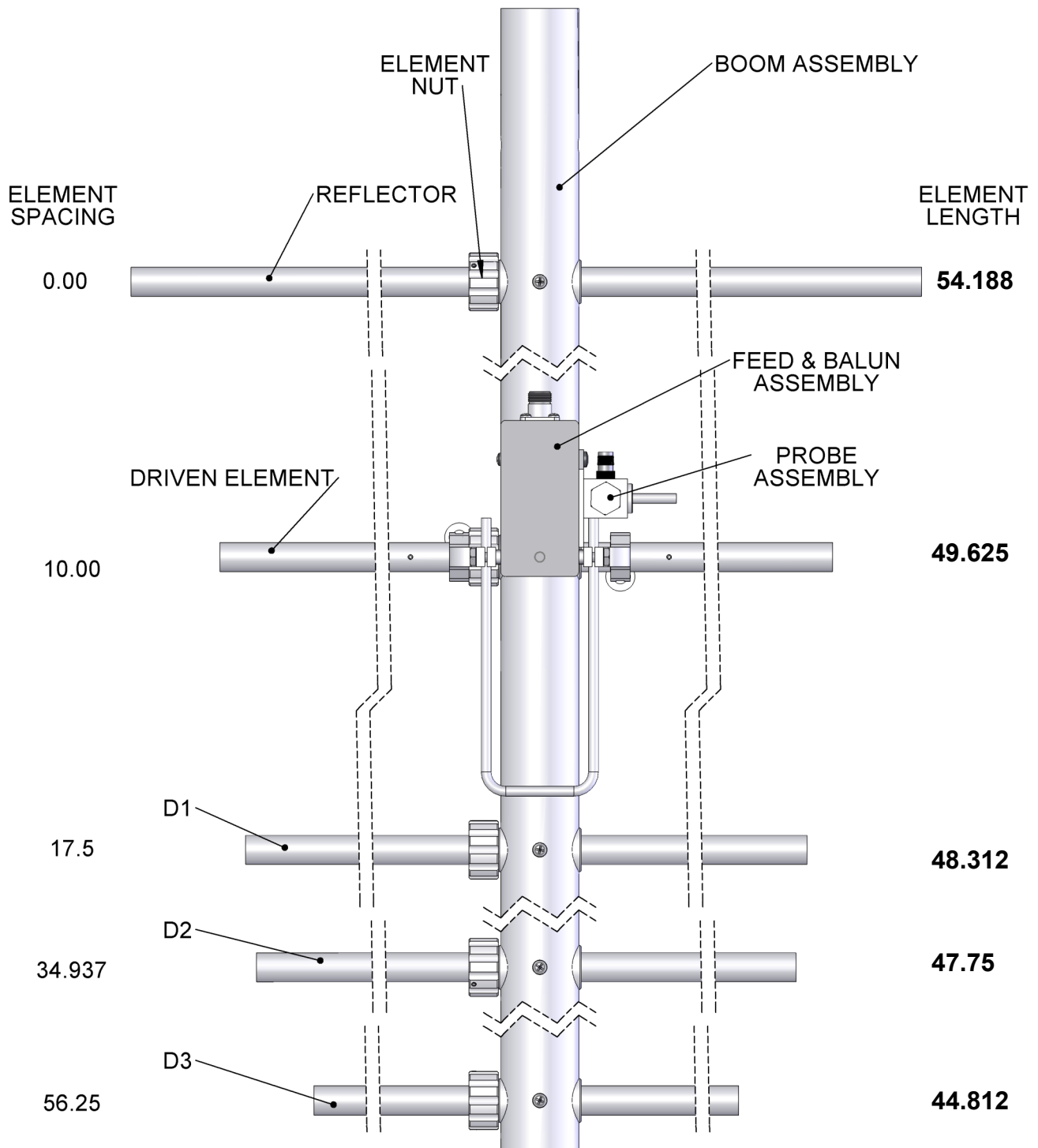


M2 Antenna Systems, Inc.

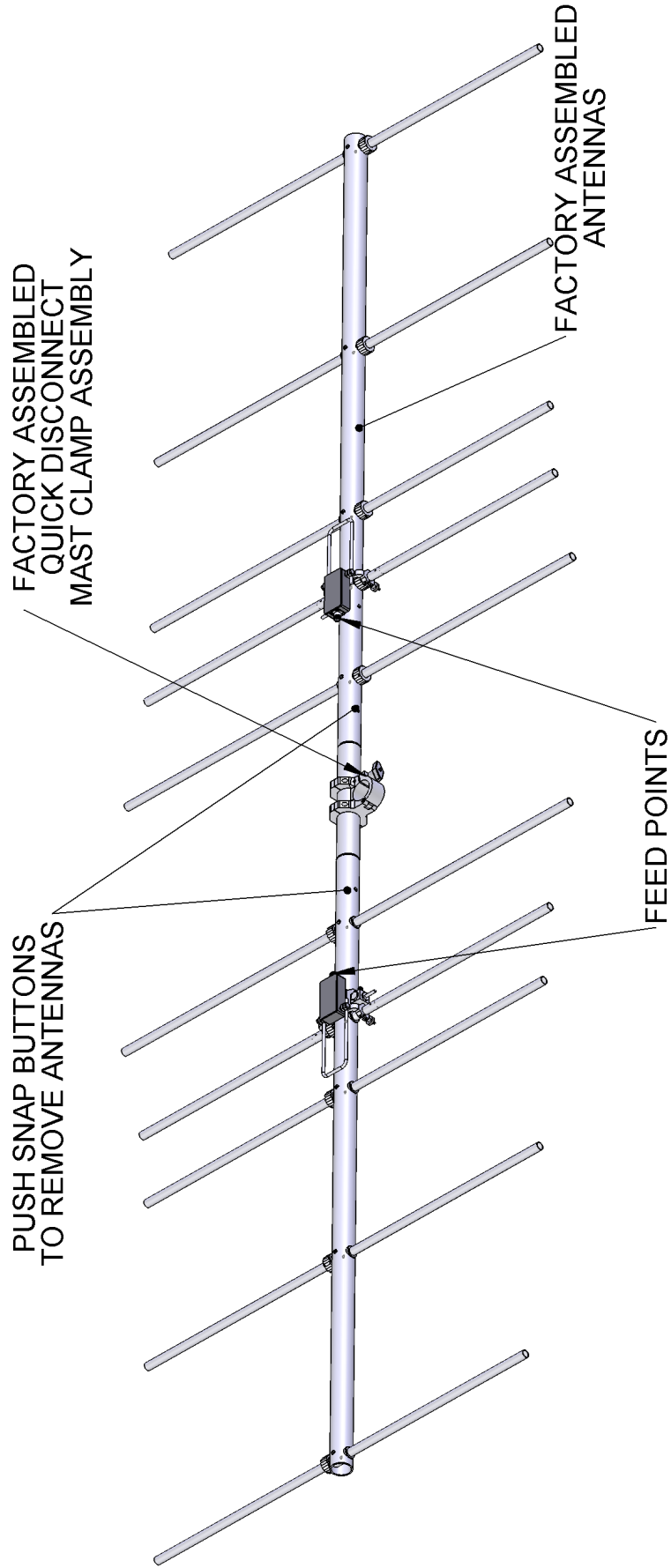
Model No: 112-5QDBA



112-5QDBA DIMENSION SHEET



112-5QDBA ASSEMBLY



112-5QDBA PARTS LIST

DESCRIPTION	QTY
BOOM ASSEMBLY, 2.0 X 125 X 64.5 W/ INSULATORS	1
ELEMENT ASSEMBLY, REFLC. 3/4 X 54.188 (BLUE).....	1
ELEMENT ASSEMBLY, DE. 3/4 X 49.625 (RED)	1
ELEMENT ASSEMBLY, D1. 3/4 X 48.312 (WHITE).....	1
ELEMENT ASSEMBLY, D2. 3/4 X 47.75 (YELLOW)	1
ELEMENT ASSEMBLY, D3. 3/4 X 44.812 (GREEN)	1
FEED & BALUN ASEMBLY	1

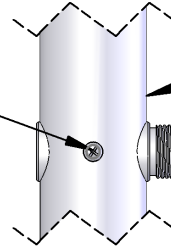
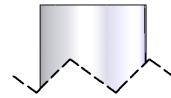
OPTIONAL

MAST CLAMP ASSEMBLY	1
---------------------------	---

M² ANTENNA SYSTEMS, INC.
7560 N. SELLAND AVE.
FRESNO, CA 93722
(559) 432-8873 FAX: 432-3059
www.m2inc.com Email: sales@m2inc.com

112-QDBA SUB ASSEMBLY

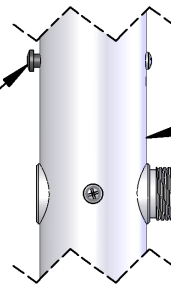
SCREW 10-24
X .625 WITH
LOCK WASER
INSTALLED FROM
BOTH SIDES
10 PLC



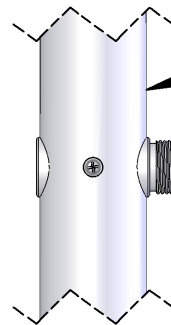
COLORBAND
BLUE

ELEMENT
INSULATOR
5 PLC.

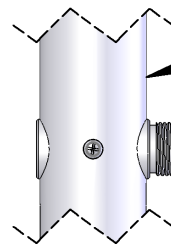
LOCK BUTTON
& 8-32 X 2.25 SS
INSTALLED W/
RED LOCK TITE



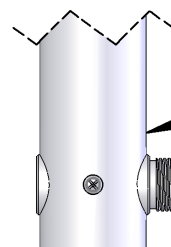
COLORBAND
RED



COLORBAND
WHITE



COLORBAND
YELLOW



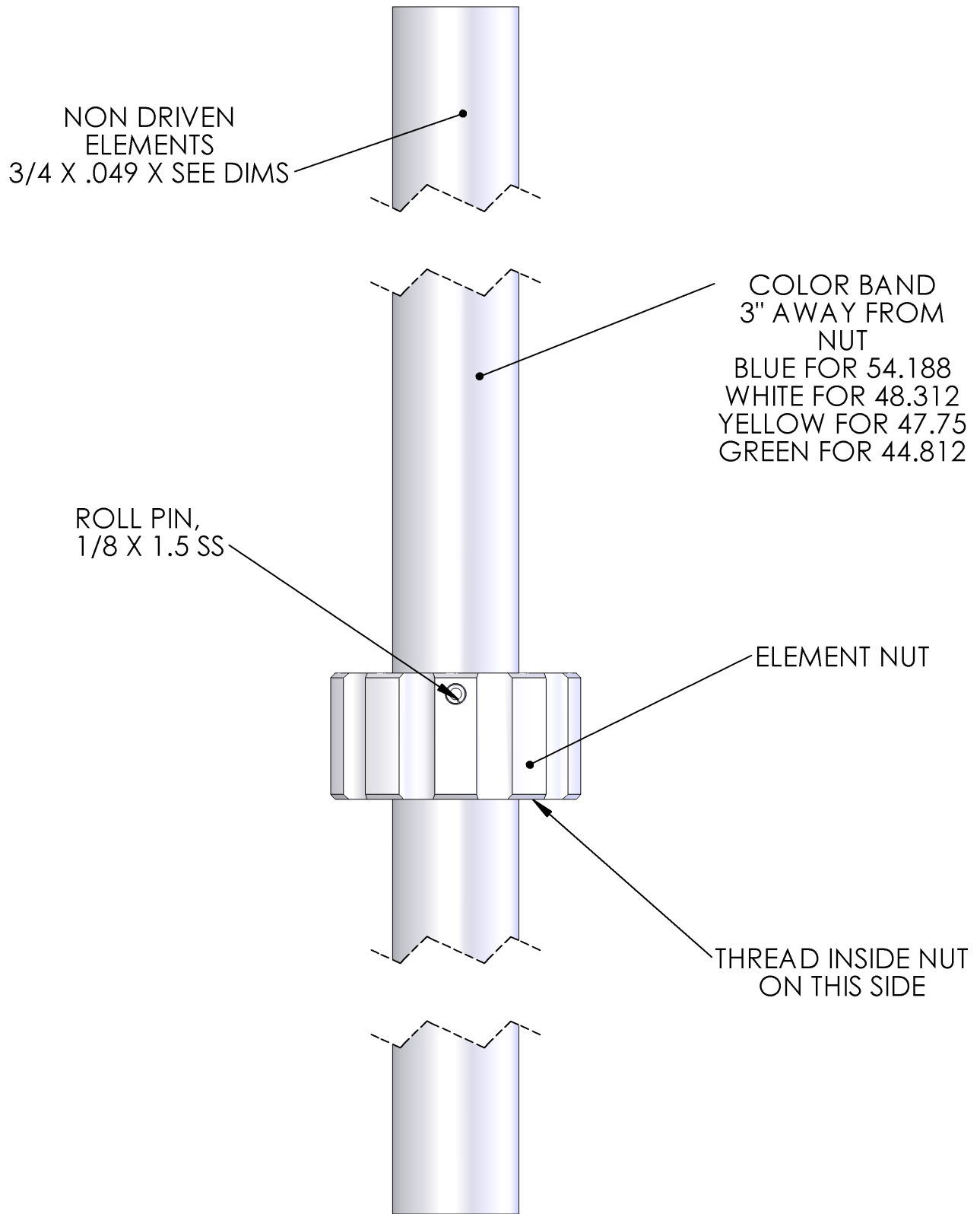
COLORBAND
GREEN

112-5QDBA BOOM ASSEMBLY PARTS

DESCRIPTION	QTY
BOOM ASSEMBLY, 2.0 X 125 X 64.5 (BA)	1
ELEMENT INSULATOR, (DELFIN)	5
LOCKBUTTON, SS.....	1
SCREW, 8-32 X 2.25" SS	1
SCREW, 10-24 X .625 SS	10

M² ANTENNA SYSTEMS, INC.
7560 N. SELLAND AVE.
FRESNO, CA 93722
(559) 432-8873 FAX: 432-3059
www.m2inc.com Email: sales@m2inc.com

112-5QDBA SUB ASSEMBLY



112-5QDBA ELEMENT ASSEMBLY PARTS

DESCRIPTION.....	QTY
REFLEC. ELEMENT, .750 X .049 X 54.188 (BLUE)	1
DIREC.#1 ELEMENT,.750 X .049 X 48.313 (WHITE)	1
DIREC.#2 ELEMENT,.750 X .049 X 47.75 (YELLOW).....	1
DIREC.#3 ELEMENT,.750 X .049 X 44.812 (GREEN)	1
ELEMENT NUT, DELRIN.....	4
ROLL PIN .125 X 1.5 SS.....	4

M² ANTENNA SYSTEMS, INC.

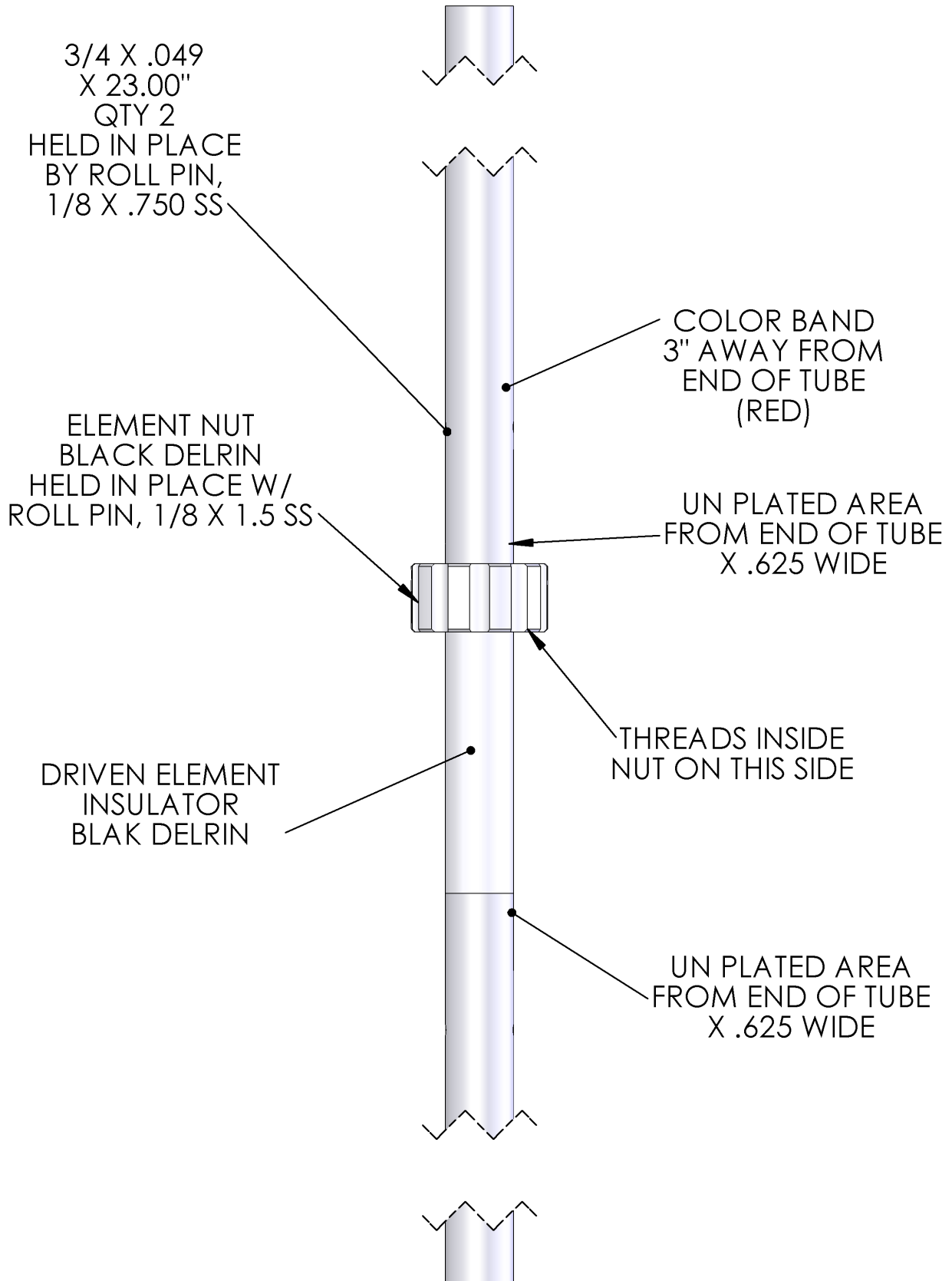
7560 N. SELLAND AVE.

FRESNO, CA 93722

(559) 432-8873 FAX: 432-3059

www.m2inc.com Email: sales@m2inc.com

112-5QDBA D.E. ASSEMBLY

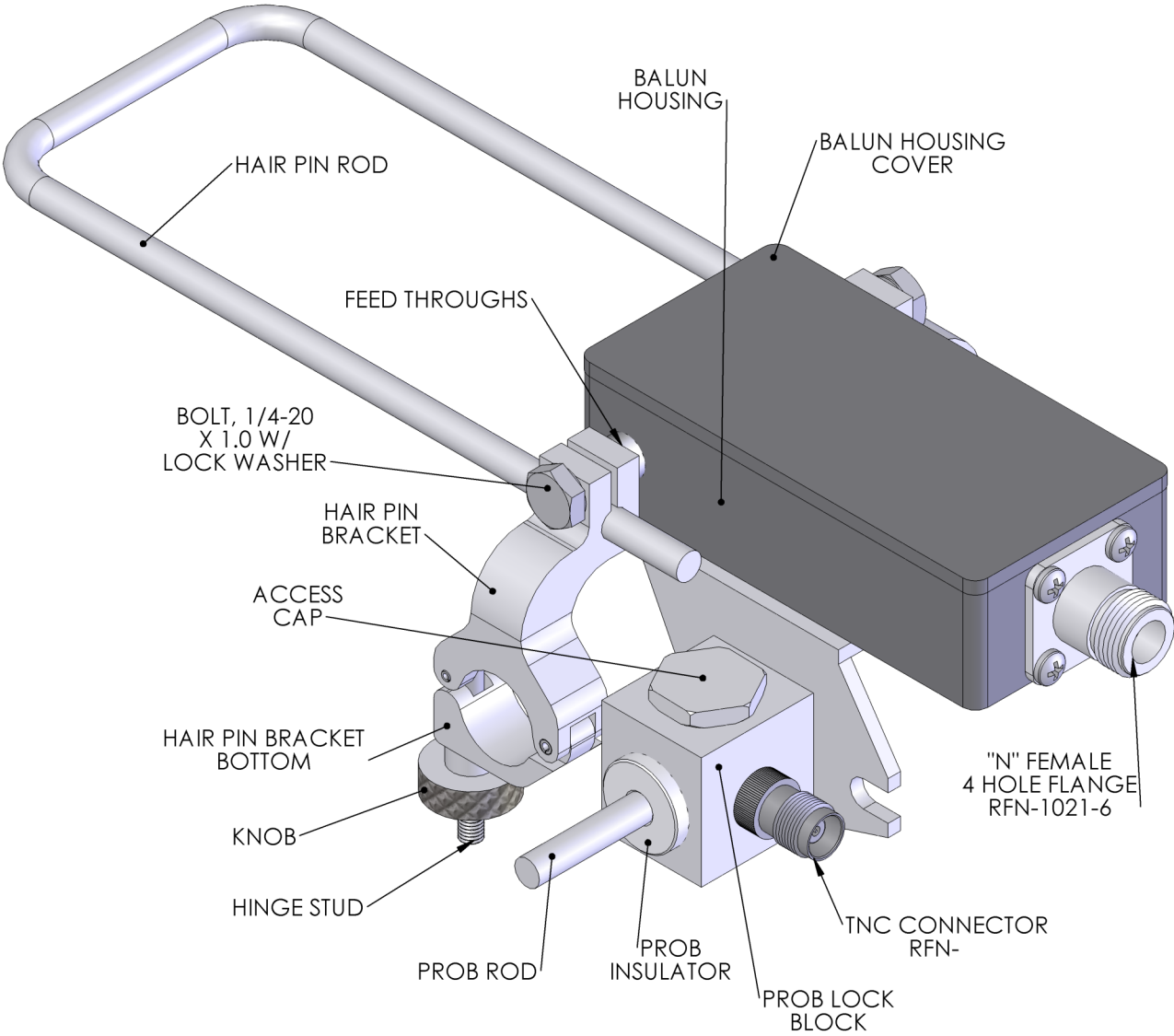


112-5QDBA DRIVEN ELEMENT PARTS

DESCRIPTION	QTY
ELEMENT ASSEMBLY, DE. 3/4 X 23.0 (RED)	2
DRIVEN ELEMENT INSULATOR, DELRIN	1
ELEMENT NUT, DELRIN.....	1
ROLL PIN, .125 X .750 SS.....	2
ROLL PIN, .125 X 1.5 SS.....	1

M² ANTENNA SYSTEMS, INC.
7560 N. SELLAND AVE.
FRESNO, CA 93722
(559) 432-8873 FAX: 432-3059
www.m2inc.com Email: sales@m2inc.com

112-5QDBA FEED & BALUN ASSEMBLY



112-5QDBA FEED & BALUN PARTS

BALUN ASSEMBLY	1
BALUN HOUSING, BLACK ABS	1
BALUN HOUSING COVER, BLACK ABS	1
FEED THROUGH POST, BRASS NICKLE PLT.	2
COAX, RG303 X 11"	1
WIRE, TEFON 14GA X 10"	1
"N" CONNECTOR, FEMALE 4 HL FLG # RFN-1021-6	1
SCREW, #8 X .5 SHEET METAL SS	2
SCREW, 4-40 X .375 SS	4
LOCKING NUT, 4-40 SS	4
HAIR PIN ROD, 1/4 BENT 180 DEG. ALUM BLK ANO)	1
HAIR PIN ARM ASSEMBLY	2
HAIR PIN BRACKET, ALUM (BLK ANO)	2
HAIR PIN BRACKET BOTTOM, ALUM (BLK ANO)	2
HINGE STUD, 10-32 X 1.625 SS	2
KNOB, ALUM (BLK ANO)	2
ROLL PIN, 3/32 X .50 SS	2
ROLL PIN, 1/8 X .50 SS	2
BOLT, 1/4-20 X 1.0 HEX HEAD SS	2
LOCKWASER, 1/4 SPLIT RING SS	2
PROB LOCK BLOCK ASSEMBLY	1
PROB LOCK BLOCK, ALUM (BLK ANO)	1
INSULATOR, .750 X .50 X 1/4 HOLE, (BLK DELRIN)	1
PROB, 1/4 X 1.625 ALUM ROD, (BLK ANO)	1
TNC CONNECTOR, (RFN-0000-0)	1
ACCESS CAP, 5/8-24, ALUM (BLK ANO)	1
SCREW, #8 X .5 SHEET METAL SS	2

M² ANTENNA SYSTEMS, INC.

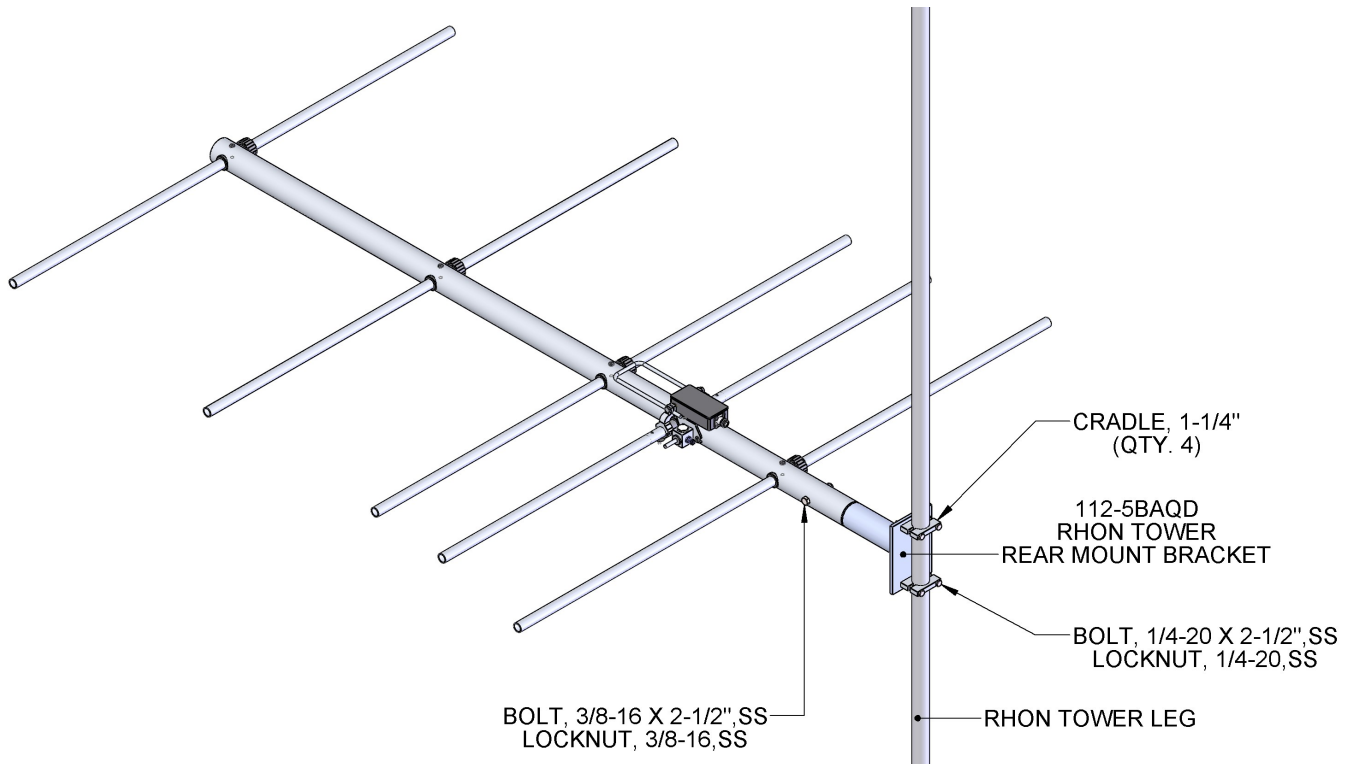
7560 N. SELLAND AVE.

FRESNO, CA 93722

(559) 432-8873 FAX: 432-3059

www.m2inc.com Email: sales@m2inc.com

112-5QDBA RHON TOWER OPTION



DESCRIPTION.....	QTY
112-5QDBA RHON REAR MOUNT BRACKET	1
MACHINED CRADLE, 1-1/4" (M2AMC0122).....	4
BOLT, 3/8-16 X 2-1/2", SS.....	1
LOCKNUT, 3/8-16, SS	1
BOLT, 1/4-20 X 2-1/2", SS.....	4
LOCKNUT, 1/4-20, SS	4