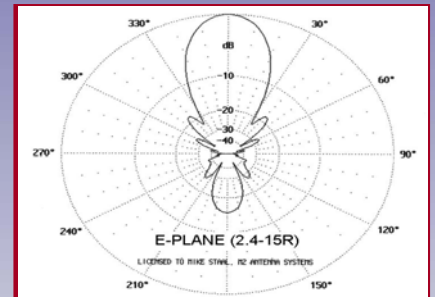
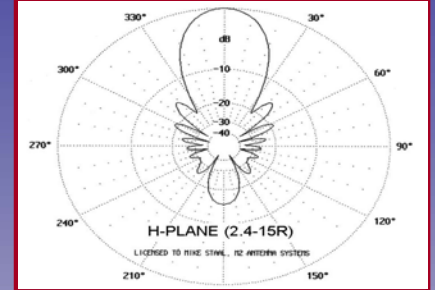
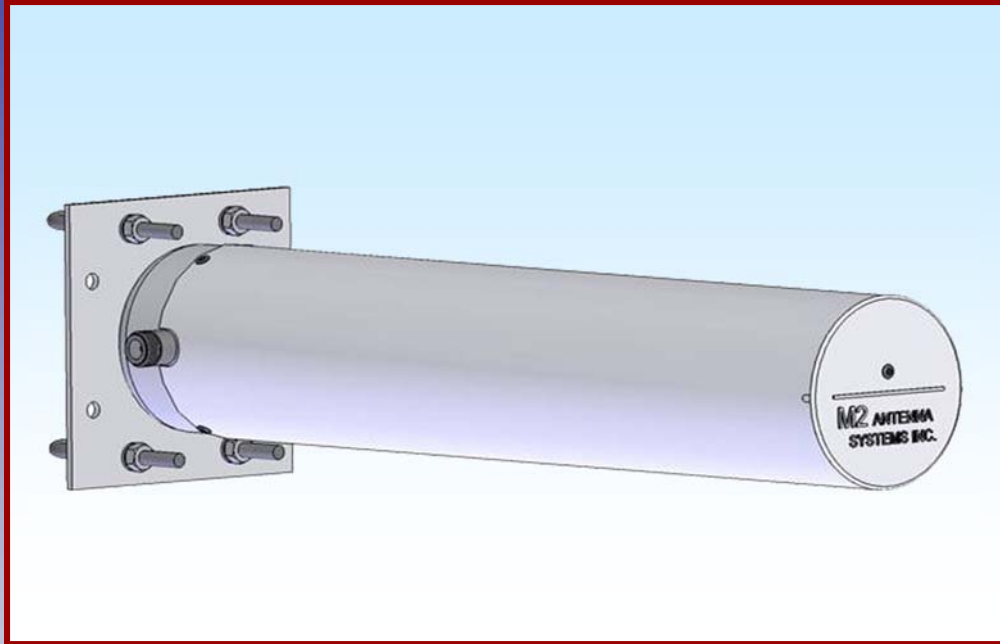




M2 Antenna Systems, Inc.

Model No: 2.4-15R



SPECIFICATIONS:

Model	2.4-15R	Power Handling	500 Watts
Frequency Range.....	2.4-2.5 GHz	Boom Length	25"
*Gain	15 dBi	Boom Dia.....	3.3"
Front to back	17 dB	Stacking Distance.....	30' High & 30' Wide
VSWR.....	1.5:1 Max	Mast Size.....	1-1/4" to 2"
Polarity	Vert / Horz	Wind Area.....	(.1) Sq. Ft.
Feed Impedance.	50 Ohms Unbalanced	Wind area / Survival	100 MPH
Input Connector.....	"N" Female	Weight	1 Lbs.

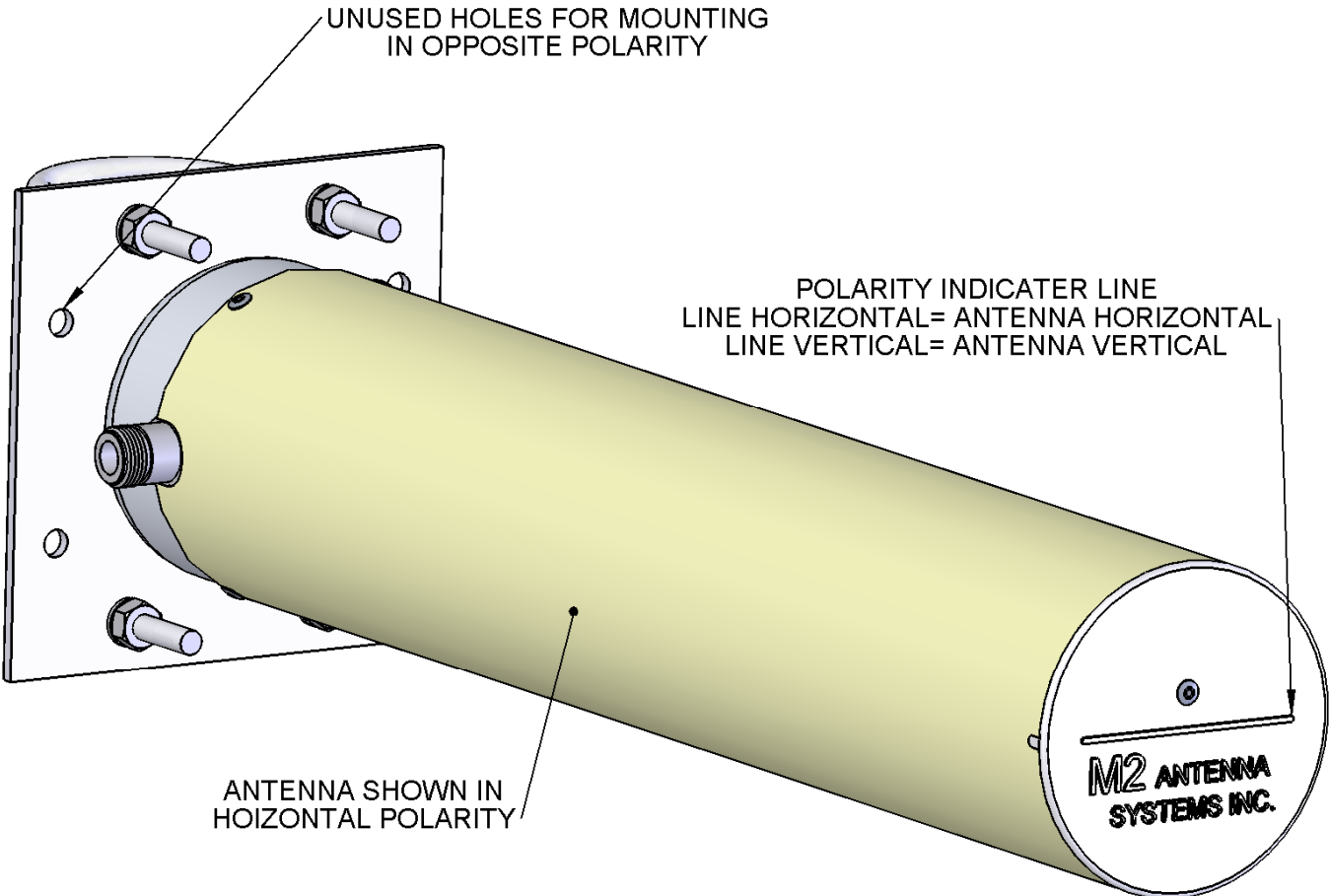
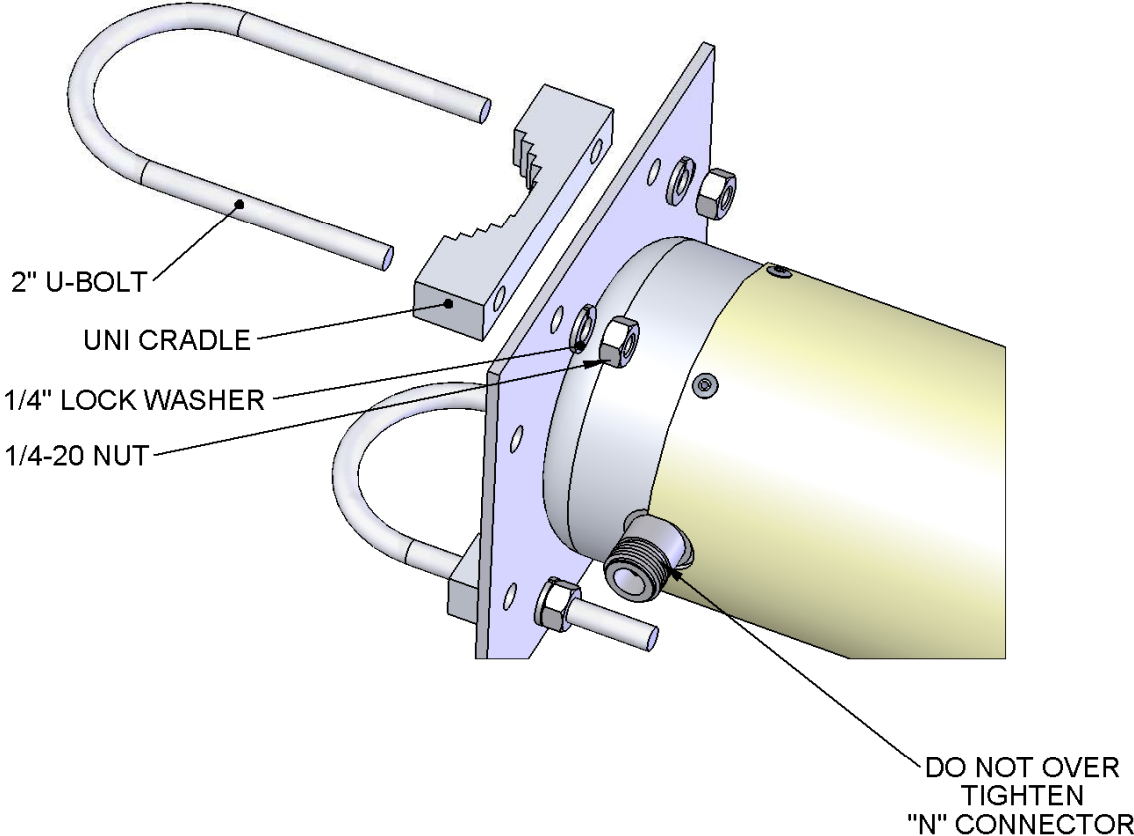
***Subtract 2.14 from dBi for dBd**

FEATURES:

The **2.4-15R** is a medium gain, Wave Guide Fed Yagi. Computer optimized for use in the 2350-2500 MHz band. Mechanically optimum computer calculations are held by CNC stamping out the director element structure. The low-loss Polyethylene Radome covers and adds to the strength of the antenna. Vertical or Horizontal polarization is achieved simply by rotating the antenna 90 degrees.

The **2.4-15R** is one of the best performers for it's size in the market. If more gain is required, stacking two at 8" apart nets another 3.0 dB gain or simply step up to the it's big brother, the **2.4-18R** for a jump of 2.7 dB more of gain. All antenna hardware is stainless steel for long life.

2.4-15R MOUNTING DETAIL



2.4-15R PARTS & HARDWARE

DESCRIPTION.....	QTY
2.4-15R ANTENNA	1
ASSEMBLY MANUAL.....	1

HARDWARE BAG #1:

NUT, 1/4-20,SS.....	4
LOCKWASHER, 1/4", SS.....	4
U-BOLT, 2", SS	2
UNICRADLE (M2AMC0076)	2

M² ANTENNA SYSTEMS, INC.

4402 N. SELLAND AVE.

FRESNO, CA 93722

(559) 432-8873 FAX: 432-3059

www.m2inc.com Email: sales@m2inc.com