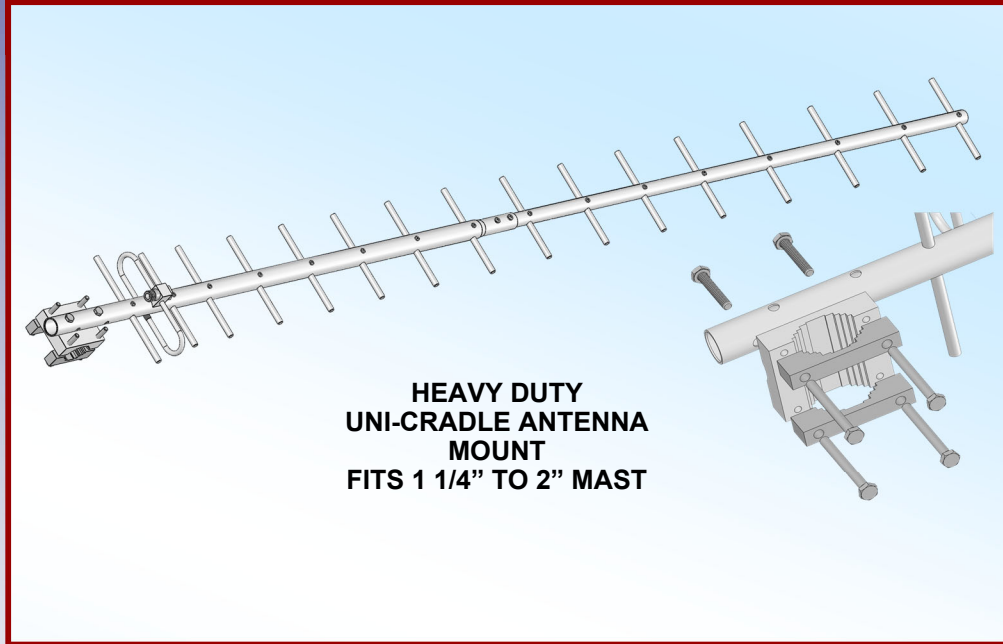




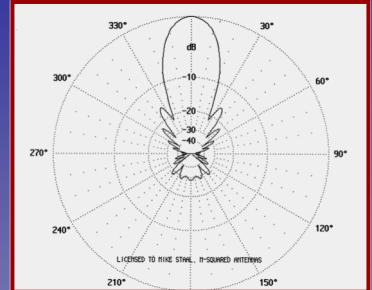
M2 Antenna Systems, Inc.

Model No: 917HD

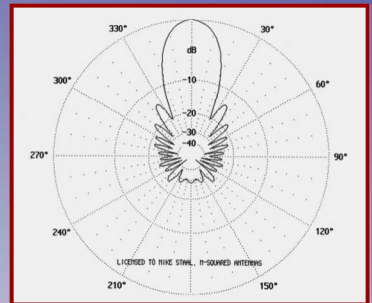


**HEAVY DUTY
UNI-CRADLE ANTENNA
MOUNT
FITS 1 1/4" TO 2" MAST**

917HD E-PLANE



917HD H-PLANE



SPECIFICATIONS:

Model	917HD	VSWR	1.2:1 Typical
Frequency Range	900-930 MHz	Feed Connector	N Female
Usable Range	880-940 MHz	Power Handling.....	500 Watts
*Gain	17 dBi	Boom Length / Dia	74" / 1" to 3/4"
Front to back.....	25 dB	Stacking Distance	28"
Beamwidth	E=20° H=22°	Mast Size	1-1/4" to 2" Nom.
Polarity	Vert. / Horz.	Wind area / Survival.....	0.4 Sq. Ft. / 100 MPH
Feed Type.....	Folded Dipole	Weight / Ship Wt.	4 Lbs. / 5 Lbs.
Feed Impedance.....	50 Ohms Unbalanced		

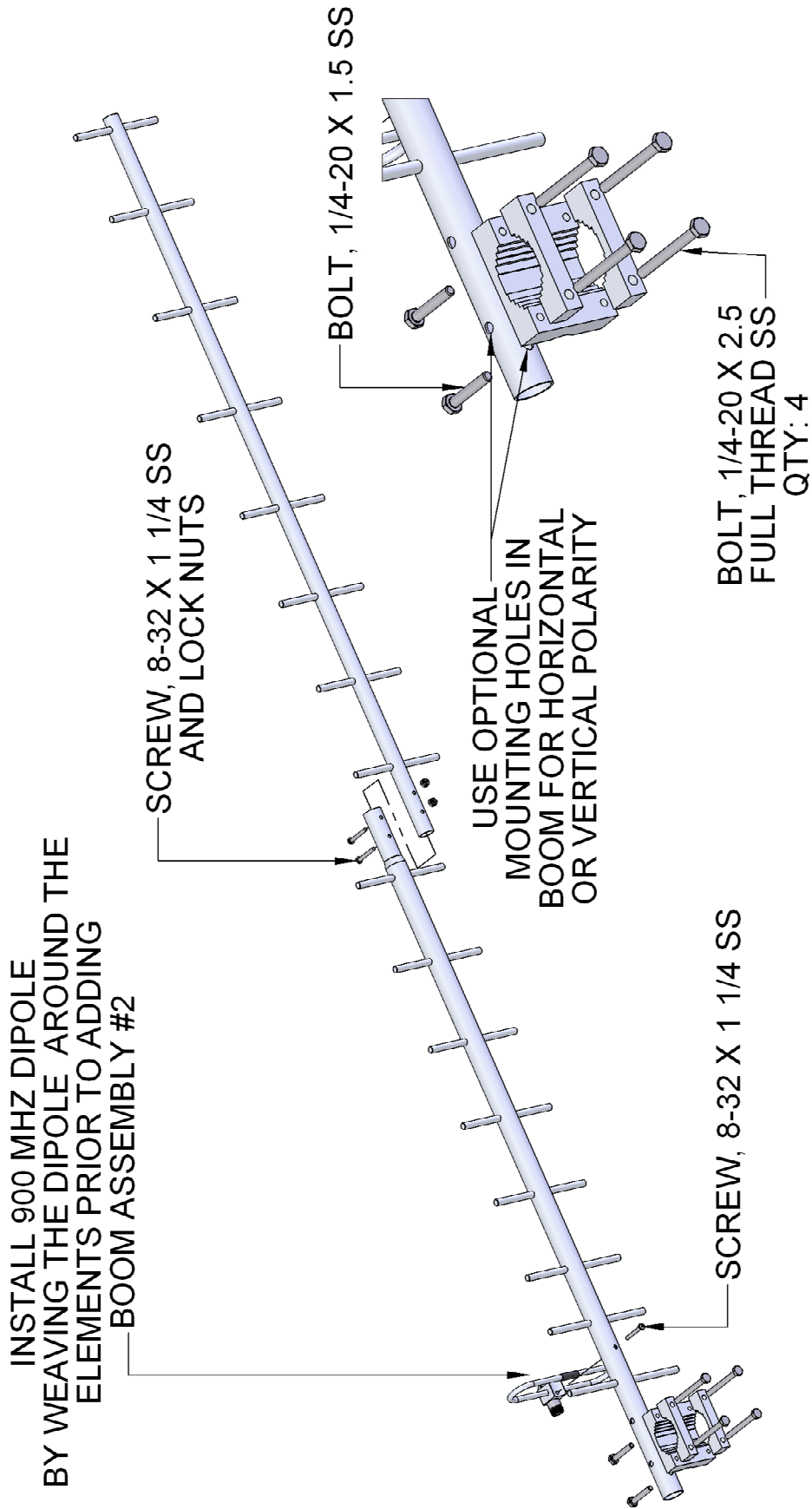
***Subtract 2.14 from dBi for dBd**

FEATURES:

This versatile antenna represents the latest computer design and features. The **917HD** Wireless internet antenna, is designed for deep fringe systems where standard panels or smaller yagi's just don't cut it. The antenna enables "Polarity Flexibility" in any given application. Low cost configured with dependability allows use even in strong signal areas for greater margin, which means less service calls. The 5/16" element design decreases the effects of rain and light snow deterioration often seen in similar antennas.

The heart of the **917HD**, the folded dipole, provides a virtual flat match for over 30 MHz. The gain has been designed to roll-off quickly above range limits to prevent receiver overload from high power services above 930 MHz. The heavy duty two piece boom and 5/16" elements, give our customers' confidence for superior performance and longevity.

917HD ASSEMBLY DETAILS



917HD PARTS & HARDWARE

DESCRIPTION.....	QTY
917HD BOOM ASSY #1	1
917HD BOOM ASSY #2	1
FOLDED DIPOLE ASSEMBLY	1
ASSEMBLY MANUAL.....	1

IN HARDWARE BAGS:

UNI-CRADDLE, (M2AMC0075)	1
UNI-CRADDLE, (M2AMC0076)	2
BOLT, 1/4-20 X 2.5 FULL THREAD SS	4
BOLT, 1/4-20 X 1.5 SS	2
SCREW, 8-32 X 1-1/4", SS	3
LOCKNUT, 8-32, SS	2

M² ANTENNA SYSTEMS, INC.

4402 N. SELLAND AVE.

FRESNO, CA 93722

(559) 432-8873 FAX: 432-3059

www.m2inc.com Email: sales@m2inc.com