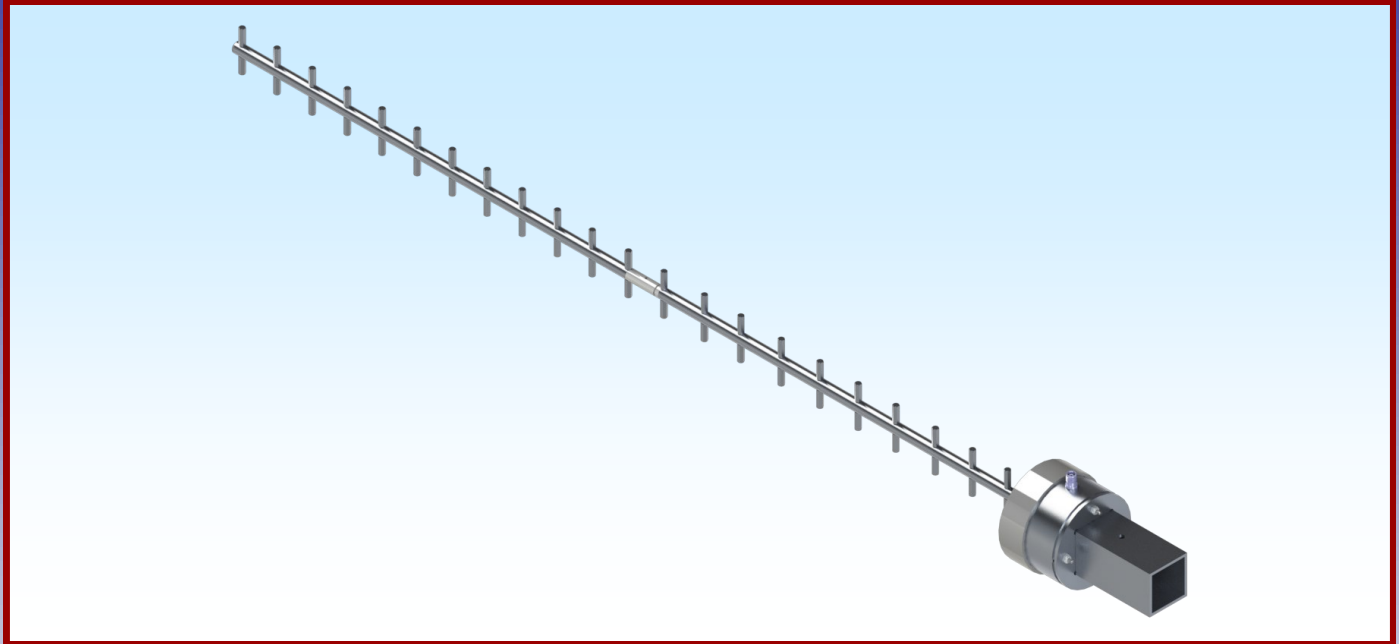




M2 Antenna Systems, Inc. Model No: 2068-26-2



SPECIFICATIONS:

Model	2068-26-2	Input Connector	TNC Female
Frequency Range	2025-2110 MHz Cont.	Power Handling	250 Watts
*Gain	18.3 dBi Typical Average	Boom Length / Dia.....	46" / 1/2"
Front to back	27 dB Typical Average	Wind area / Survival	0.3 Sq. Ft. / 80 MPH
Beamwidth /26 ele	E=21°/H=22°	Weight / Ship Wt.....	2 lbs. / 10 lbs.
Beamwidth /35 ele.....	E=17°/H=18°		
Feed Impedance.....	50 Ohms Unbalanced		
Maximum VSWR.....	>1.5:1 AVG.		
Mounting Polarity	Horizontal or Vertical		

***Subtract 2.14 from dBi for dBd**

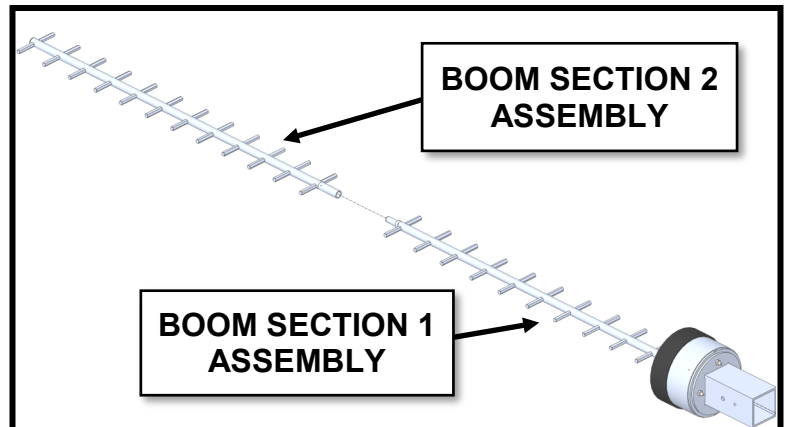
FEATURES:

The 2068-26-2 is a rugged man packable high gain yagi type, horn fed antenna that can provide high performance between the frequencies of 2025 MHz and 2110 MHz. The elements are made from aluminum 1/4" hex and are large enough not to be damaged by man packing or the outside elements. The antenna is broken apart in near equal sections using a unique no tools bayonet type connection that allows quick assembly or disassembly. The antenna can be used with just 2 element sections in place, that keeps the package down to a manageable 46 inches long. But if extra gain is needed, just add the last element section for a little extra gain for the fringe situations. The 2068-26-2 uses a unique horn to excite the elements and achieve amazing gain. The horn comes with a face cover to protect the horn probe inside and gives a clean storage cup after disassembly.

2068-26-2 ASSEMBLY INSTRUCTIONS

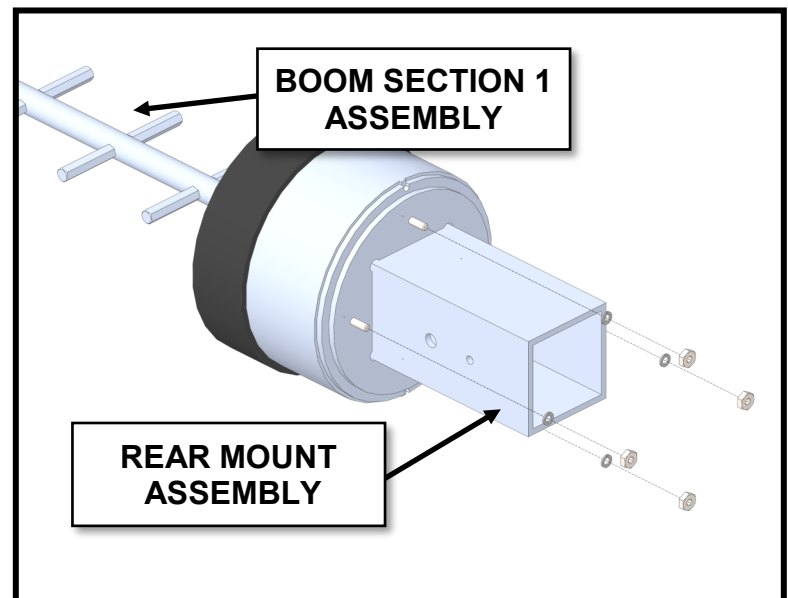
STEP 1:

Insert **BOOM SECTION 2 ASSY** into **BOOM SECTION 1 ASSY**. Turn **BOOM SECTION 2 ASSY** clockwise to lock the antenna into place. Reverse steps for disassemble. Use Velcro strap to hold antenna together for ease of transportation.



STEP 2:

If your system requires using **the REAR MOUNT ASSEMBLY**, first remove the four #6-32 nuts and washers. Install the **REAR MOUNT ASSEMBLY**. Install lock washers then nuts. Tighten hardware. Install square post onto your mast.



2068-26-2 PARTS & HARDWARE

DESCRIPTION	QTY
BOOM, SECTION 1 ASSY (SAHY20010)	1
BOOM, SECTION 2 ASSY (SAHY20011)	1
REAR MOUNT ASSY (SAHY2007)	1
HARDWARE	
LOCKNUT, 8-32 SS	4

M² ANTENNA SYSTEMS, INC.
4402 N. SELLAND AVE.
FRESNO, CA 93722
(559) 432-8873 FAX (559) 432-3059
www.m2inc.com Email: sales@m2inc.com