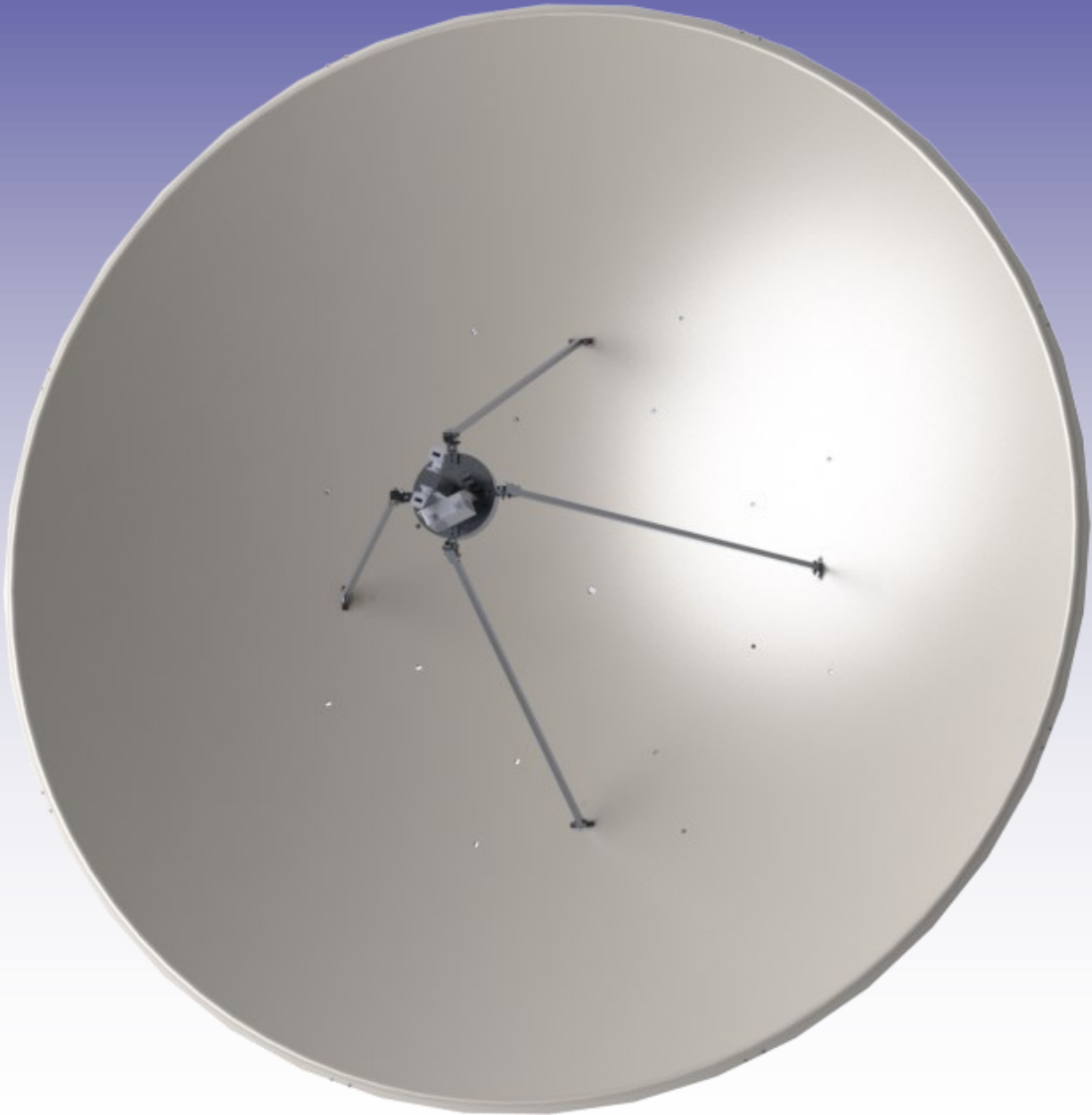




M2 ANTENNA SYSTEMS, INC. MODEL NO: FGDFS2006 S AND X SEPTUM FEED SYSTEM



M2 ANTENNA SYSTEMS, INC. 4402 N. SELLAND AVE. FRESNO, CA 93722
TEL: (559) 432-8873 FAX: (559) 432-3059 WEB: WWW.M2INC.COM

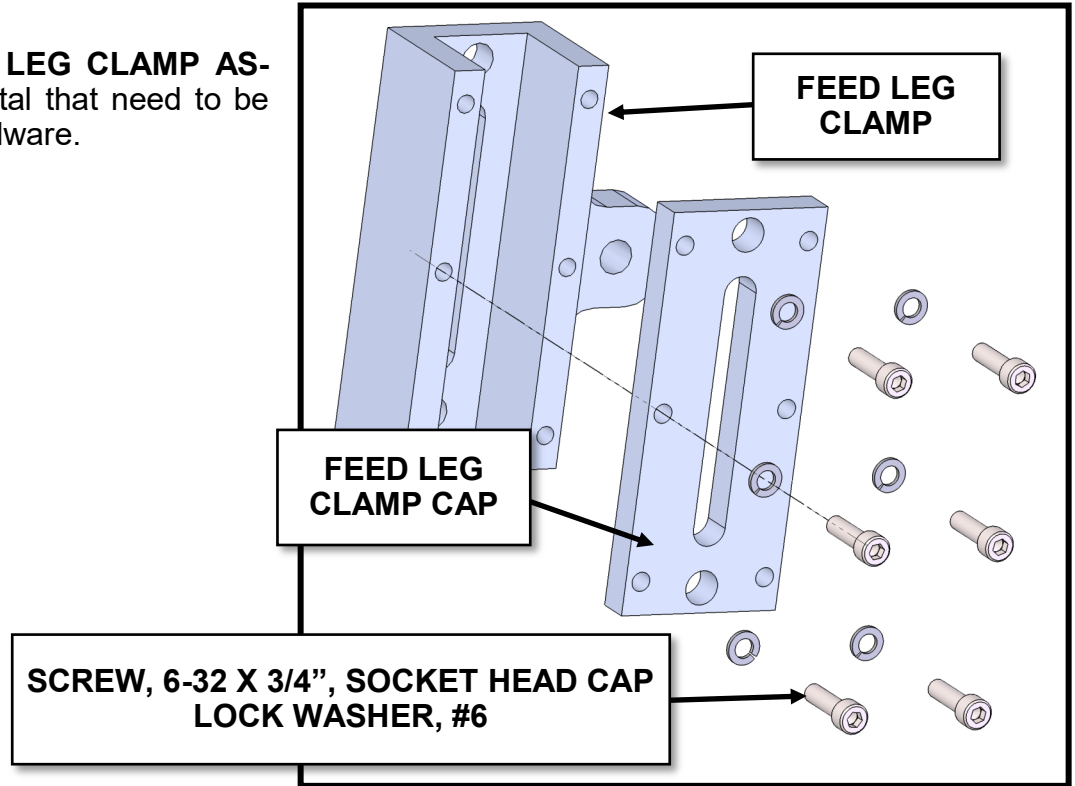
©2020 M2 ANTENNA SYSTEMS INCORPORATED

2/19/20
REV A

DISH FEED SYSTEM ASSEMBLY

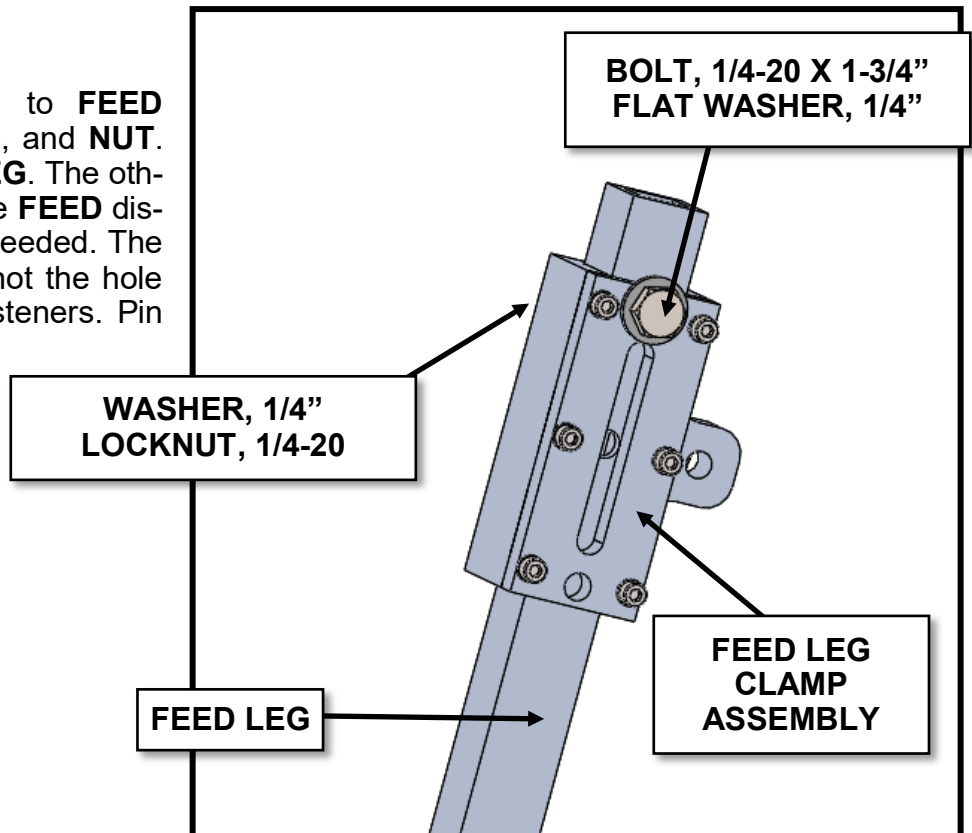
STEP 1:

Assemble the **FEED LEG CLAMP ASSEMBLIES**. There are 4 total that need to be assembled. Tighten all hardware.



STEP 2:

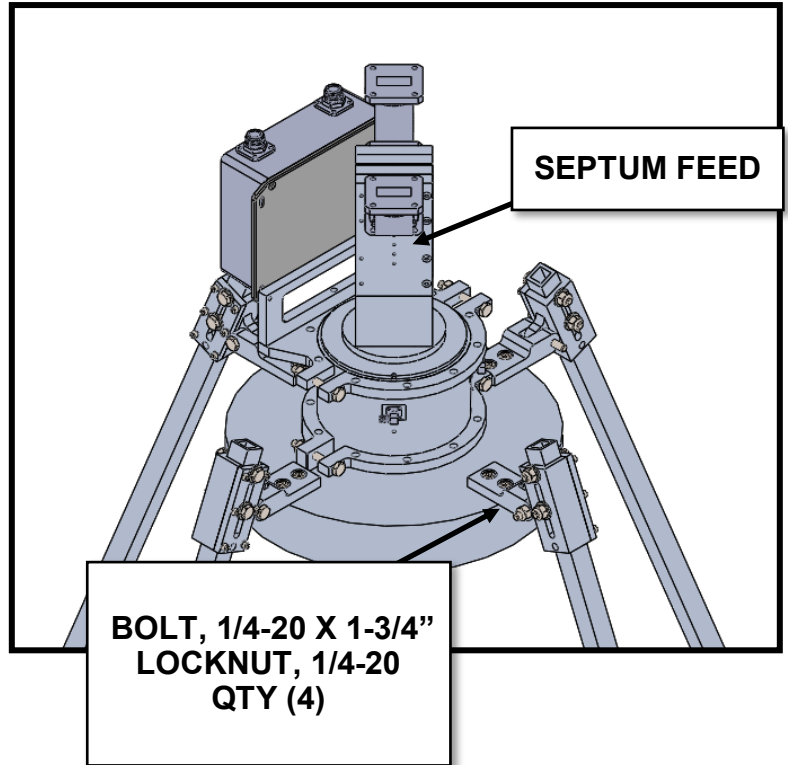
Pin **FEED LEG CLAMPS** to **FEED LEGS**. Pin with **BOLT**, **WASHERS**, and **NUT**. Use the first hole to **PIN FEED LEG**. The other hole can be used later to tune the **FEED** distance to the **SATELLITE DISH** if needed. The second hole will use the slot and not the hole to pin the **FEED LEG**. Tighten fasteners. Pin all the **FEED LEGS**.



DISH FEED SYSTEM ASSEMBLY

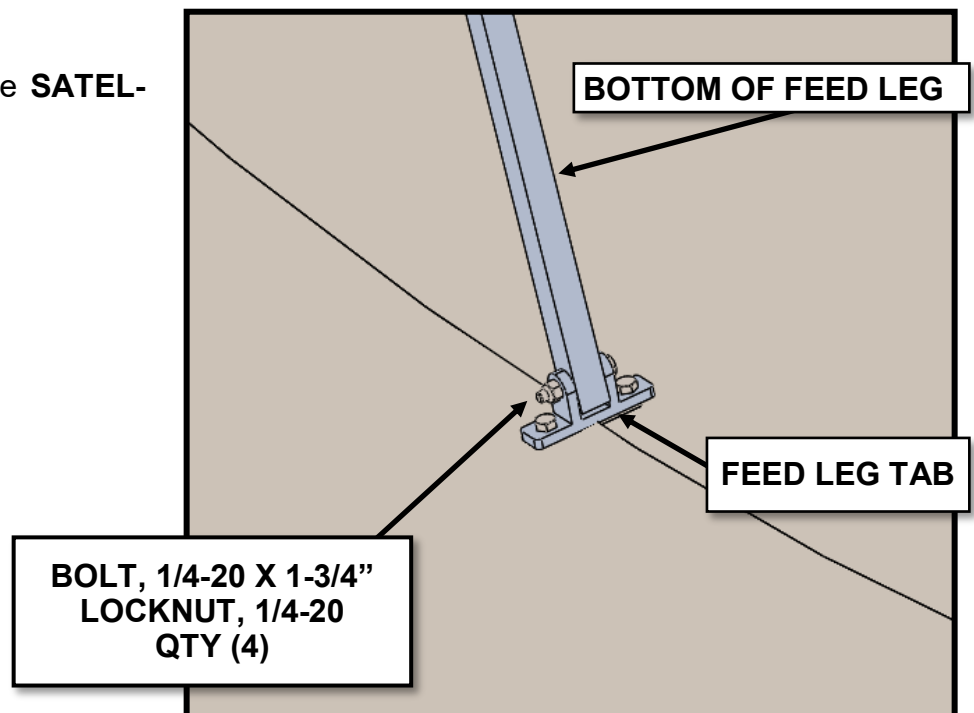
STEP 3:

Pin the **FEED LEG** and **CLAMP ASSEMBLY** to the **SEPTUM FEED**. Leave fasteners loose until bottom of the **FEED LEG** is mounted to **SATELLITE DISH**. Pin all Feed Legs.

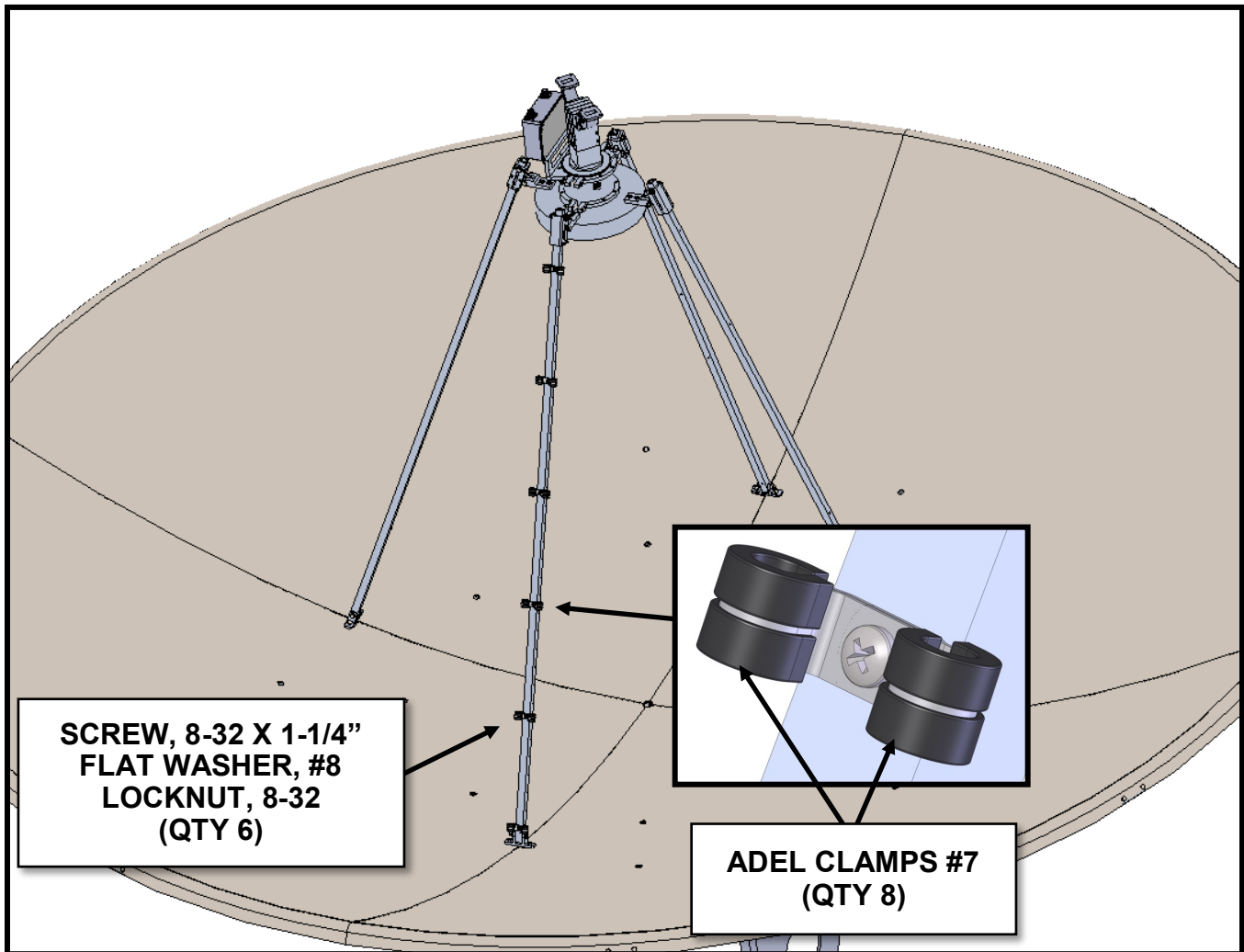


STEP 4:

Attach the **FEED LEGS** to the **SATELLITE DISH**. Tighten all hardware.



DISH FEED SYSTEM ASSEMBLY



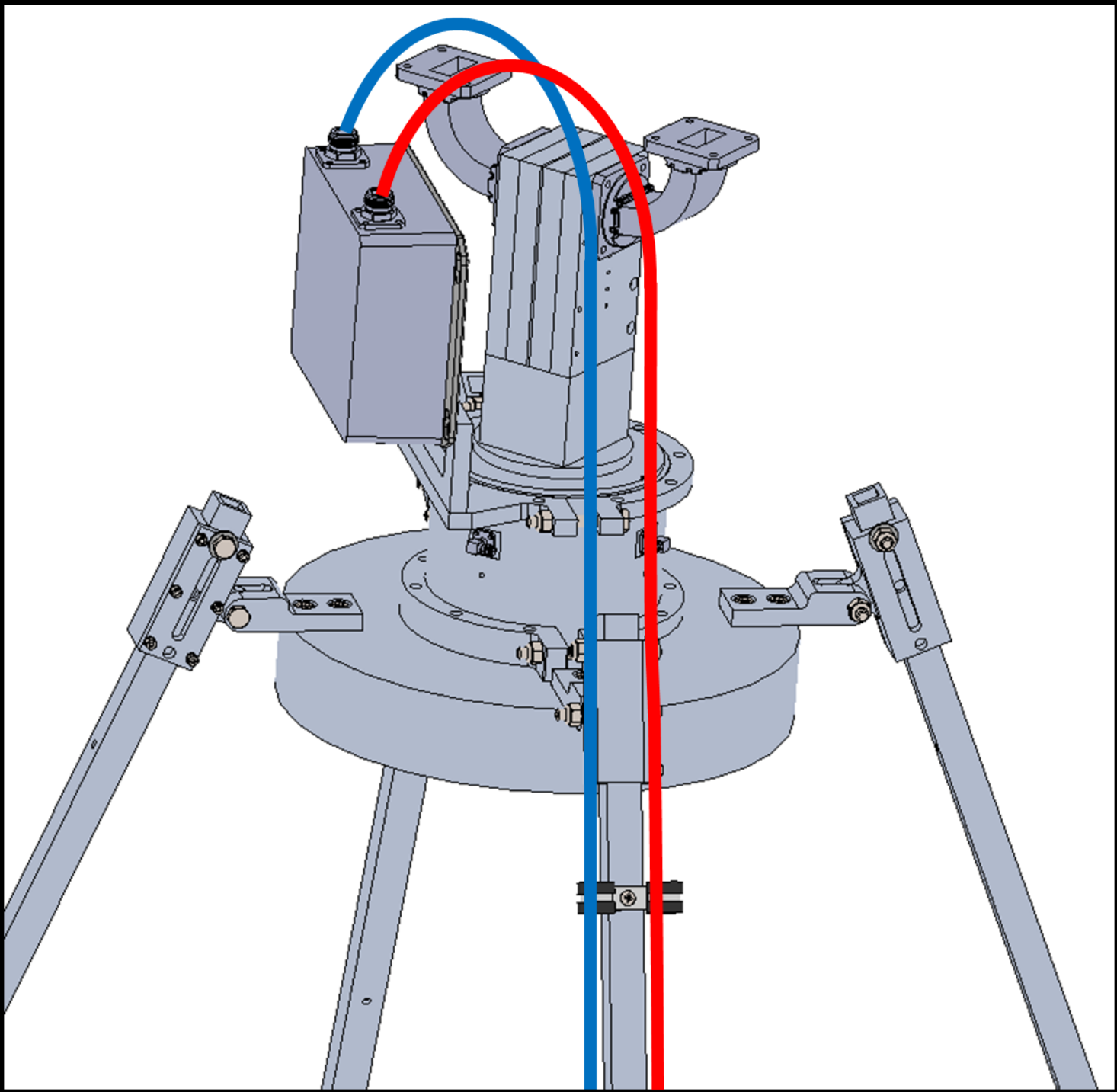
STEP 5:

Install **ADEL CLAMPS** to bottom **FEED LEG** to route **FEED CABLES**.

NOTE:

Cabling for the Feed can be routed down one of the Feed Legs and over the rim of the Satellite Dish or a 2" hole can be cut into the Satellite Dish near the bottom of the Feed Leg used to route the cable.

CABLE ROUTING



FGDFS2006 SYSTEM PARTS & HARDWARE

<u>DESCRIPTION</u>	<u>QTY</u>
DUAL BAND FEED ASSEMBLY (FGFD-2-SC-XC-1).....	1
SATELLITE DISH FEED LEG CLAMP (M2AAE1631).....	4
SATELLITE DISH FEED LEG CAP (M2AAE1632).....	4
FEED LEG TAB (M2AFD0008).....	4
SATELLITE DISH FEED LEG (M2AFD0015).....	4
FEED MOUNT TAB (M2AFD0003).....	4

HARDWARE

BOLT, 1/4-20 X 1-3/4", HEX HEAD, SS.....	12
BOLT, 1/4-20 X 3/4", SOCKET HEAD CAP, SS	8
FLAT WASHER, 1/4", SS.....	16
LOCKNUT, 1/4-20, SS	20
SCREW, 8-32# X 1-1/4", PAN HEAD PHILLIPS, SS	6
WASHER, #8, SS.....	6
LOCKNUT, #8-32, SS	6
SCREW, #6-32 X 3/4", SOCKET HEAD CAP, SS	24
LOCK WASHER, #6-32, SS.....	24
ADEL CLAMPS, #7	12