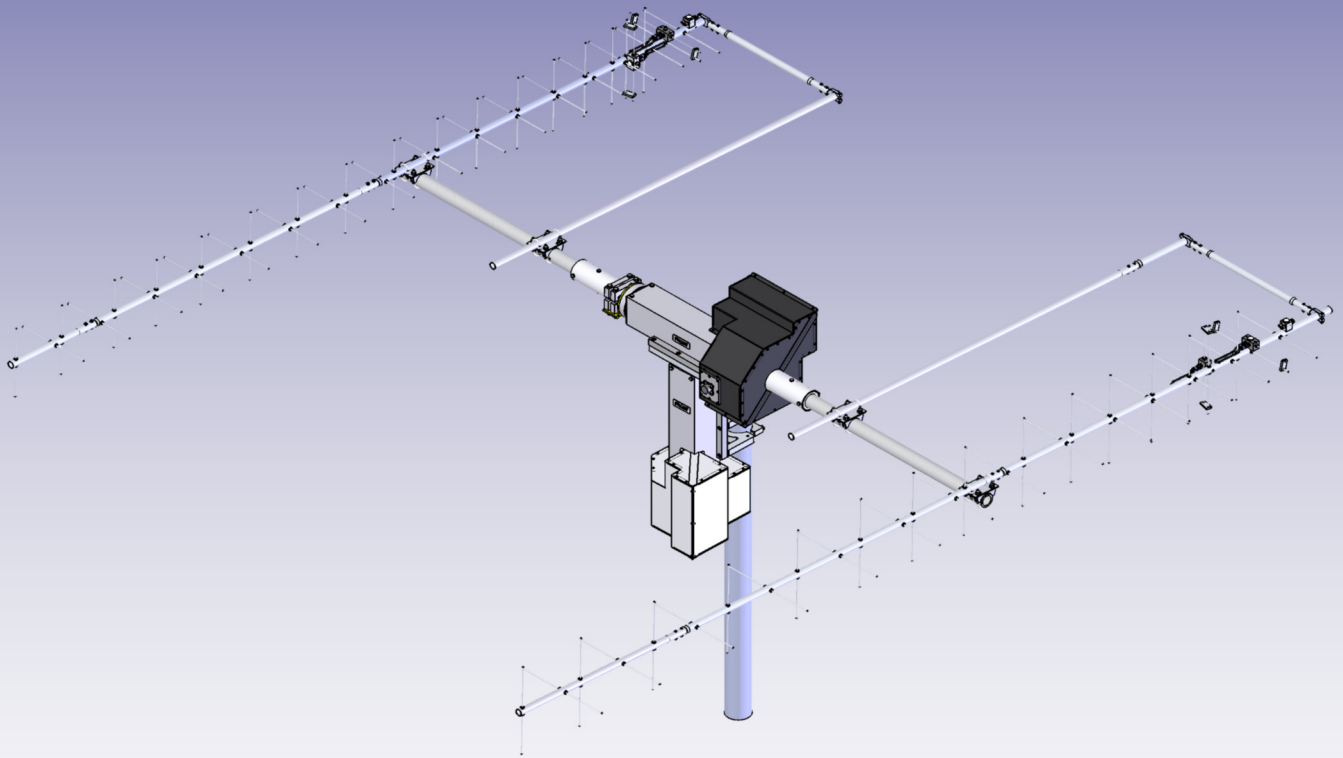




M2 Antenna Systems, Inc.

Model No: System Sample 1

400CP30A/450CP34 (2 AXIS)



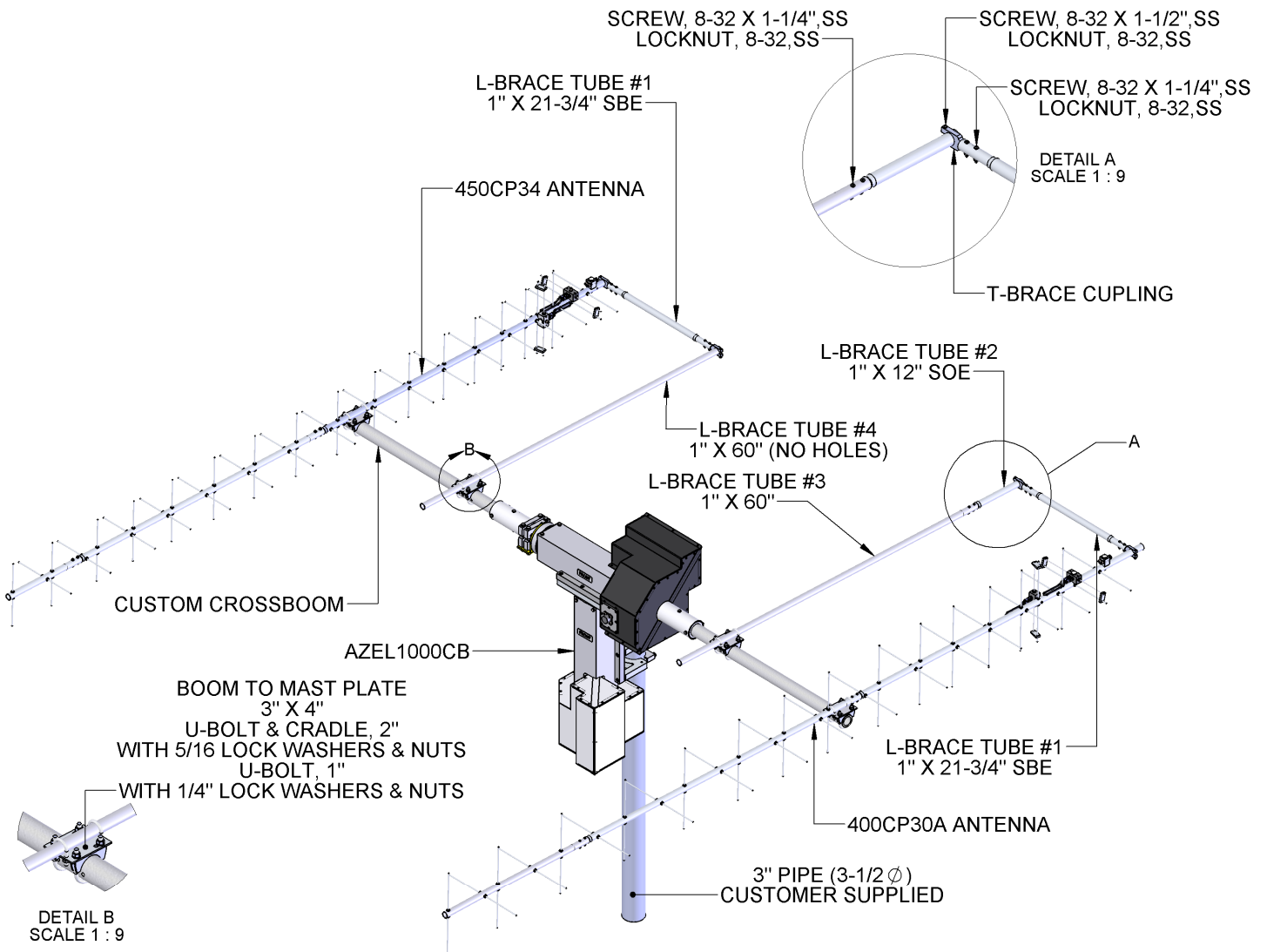
400CP34A/450CP34 ASSEMBLY MANUAL

BEFORE YOU BEGIN: Look over all the DRAWINGS to get familiar with the various parts and assemblies in the system. Tools handy for assembly process: screwdriver, 11/32, 7/16, 1/2, 9/16 and 5/8" spin-tites, end wrenches and/or sockets, measuring tape.

Note:

All installations are unique in some way, which means it's OK to preassemble certain hardware, or rearrange the assembly process to meet specific site requirements. A quick review of the assembly notes and drawings should help firm up the appropriate strategy. Please remember to double-check all hardware for tightness **BEFORE** it becomes inaccessible.

Two containers of zinc paste (Penetrox, Noalox, or equiv.) have been provided to enhance and maintain the quality of all electrical junctions on this system. Apply a thin coat wherever two pieces of aluminum come in contact or any other electrical connections are made. It is also useful on screws and bolt threads as an ANTI SEIZE compound.



PARTS & HARDWARE LIST

<u>COMPLETE SYSTEM</u>	<u>QTY</u>
FGAZEL1000CB with 3" Pipe Mount Kit	1
FGCBHY9 Cross boom	1
FG400CP30A Antenna	1
FG450CP34 Antenna.....	1

<u>L-BRACE KIT</u>	<u>QTY</u>
L-Brace Tube#1, 1" X 0.058 X 21-3/4" SBE	2
L-Brace Tube#2, 1" X 0.058 X 12" SOE.....	1
L-Brace Tube#3, 1" X 0.058 X 60"	1
L-Brace Tube#4, 1" X 0.058 X 60" (NO HOLES)	1
T-Brace Coupling, (M2AMC0300).....	4
Boom to Mast Plate, 3" X 4" X 1/8" (M2APT0019)	2
10" Zip Ties.....	10
Penetrox or Zinc Paste (Cup).....	2

<u>L-BRACE KIT HARDWARE</u>	
U-Bolt & Cradle, 2"	4
U-Bolt, 1"	4
Lock Washer, 5/16", S.S.	8
Nut, 5/16-18, S.S.	8
Lock Washer, 1/4", S.S.	8
Nut, 1/4-20, S.S.	8
Screw, 8-32 x 1-1/2, S.S.	4
Screw, 8-32 x 1-1/4, S.S.	10
Lock Nut, 8-32, S.S.	14

Carefully manufactured by:

M2 Antenna Systems, Inc.
4402 N. Selland Ave. Fresno, CA 93722
(559) 432-8873 Fax (559) 432-3059
Web: www.m2inc.com