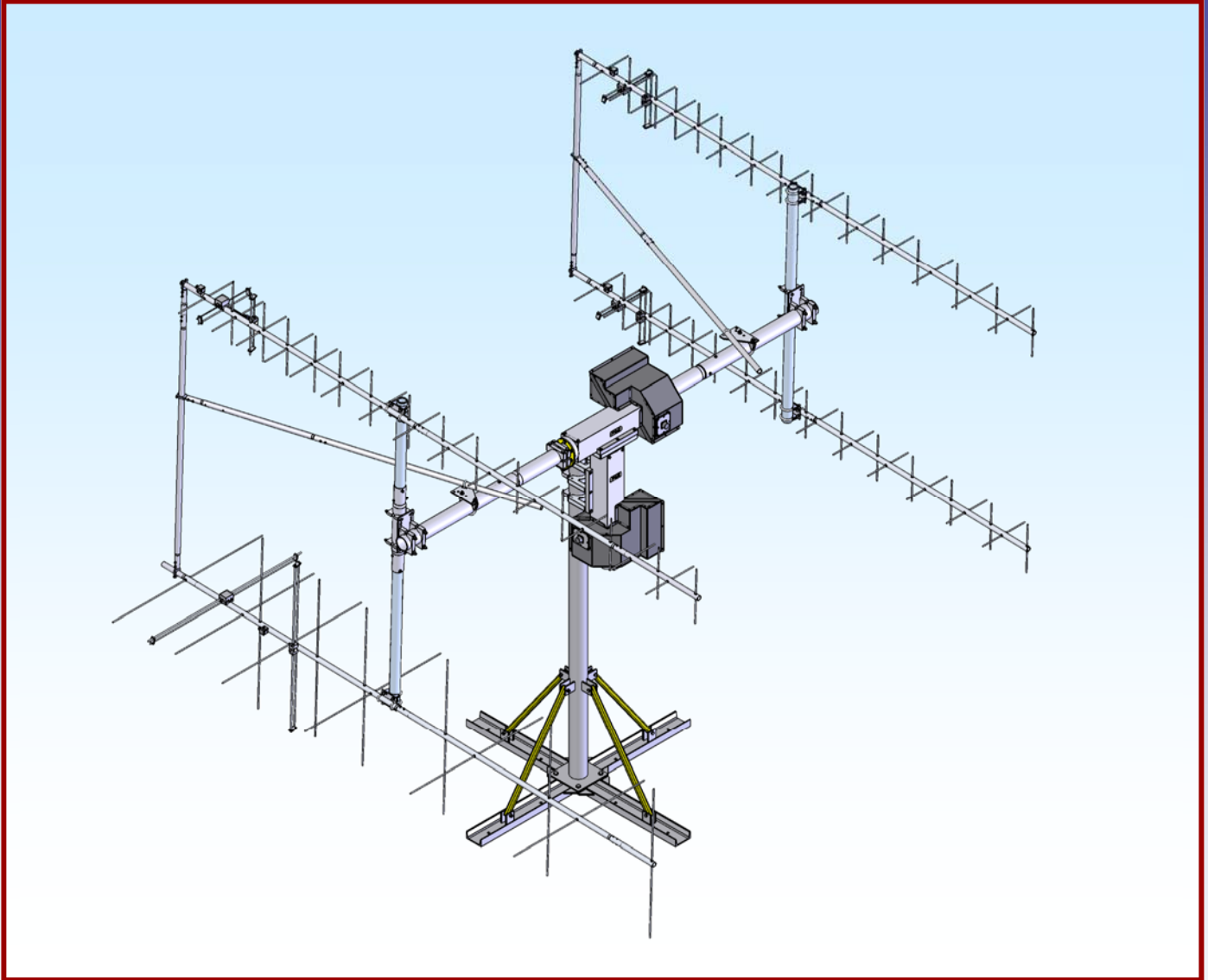




M2 Antenna Systems, Inc. Model No: System Sample 2 436CP30/400CP30/2MCP14

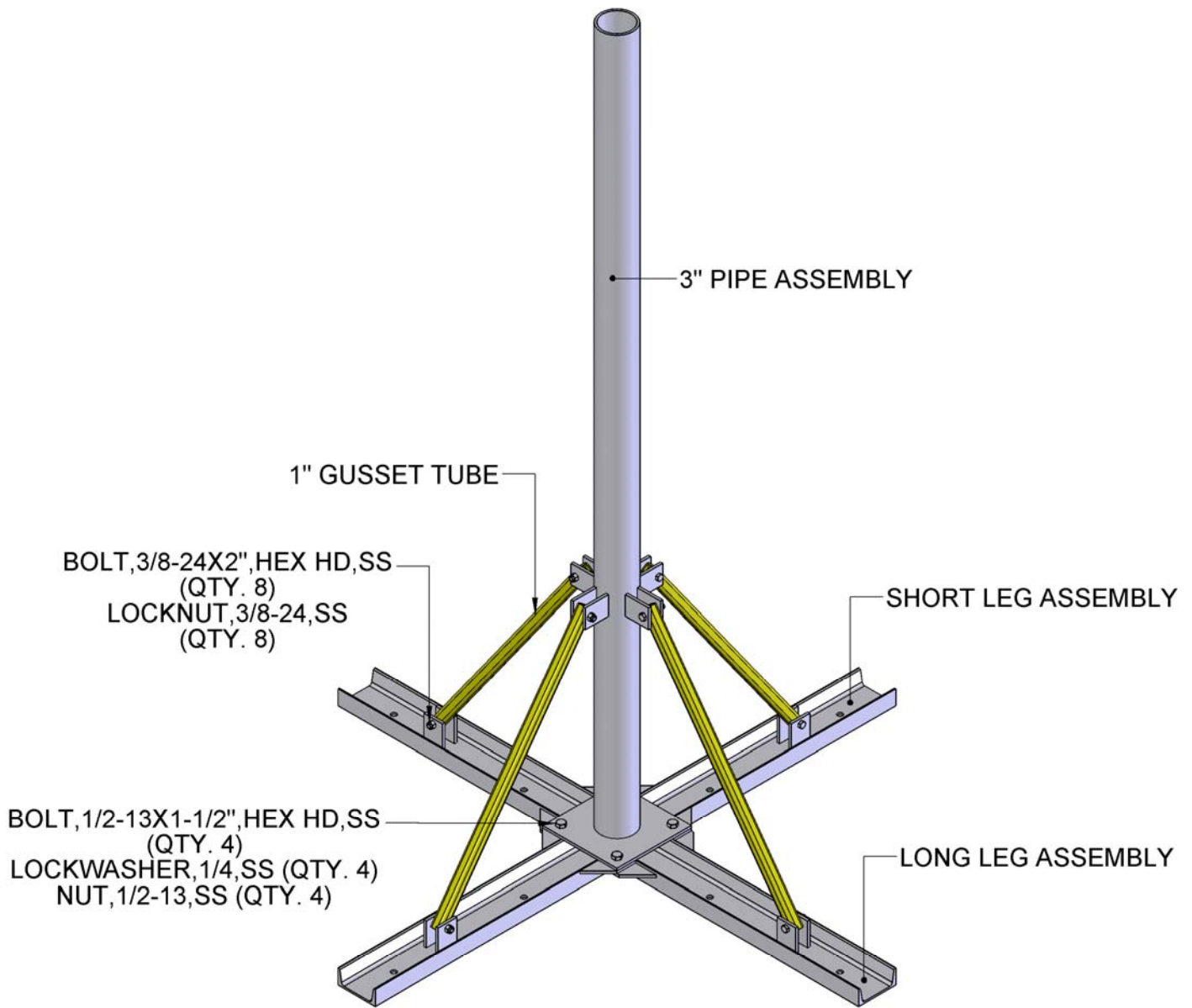


BASE PAD ASSEMBLY MANUAL

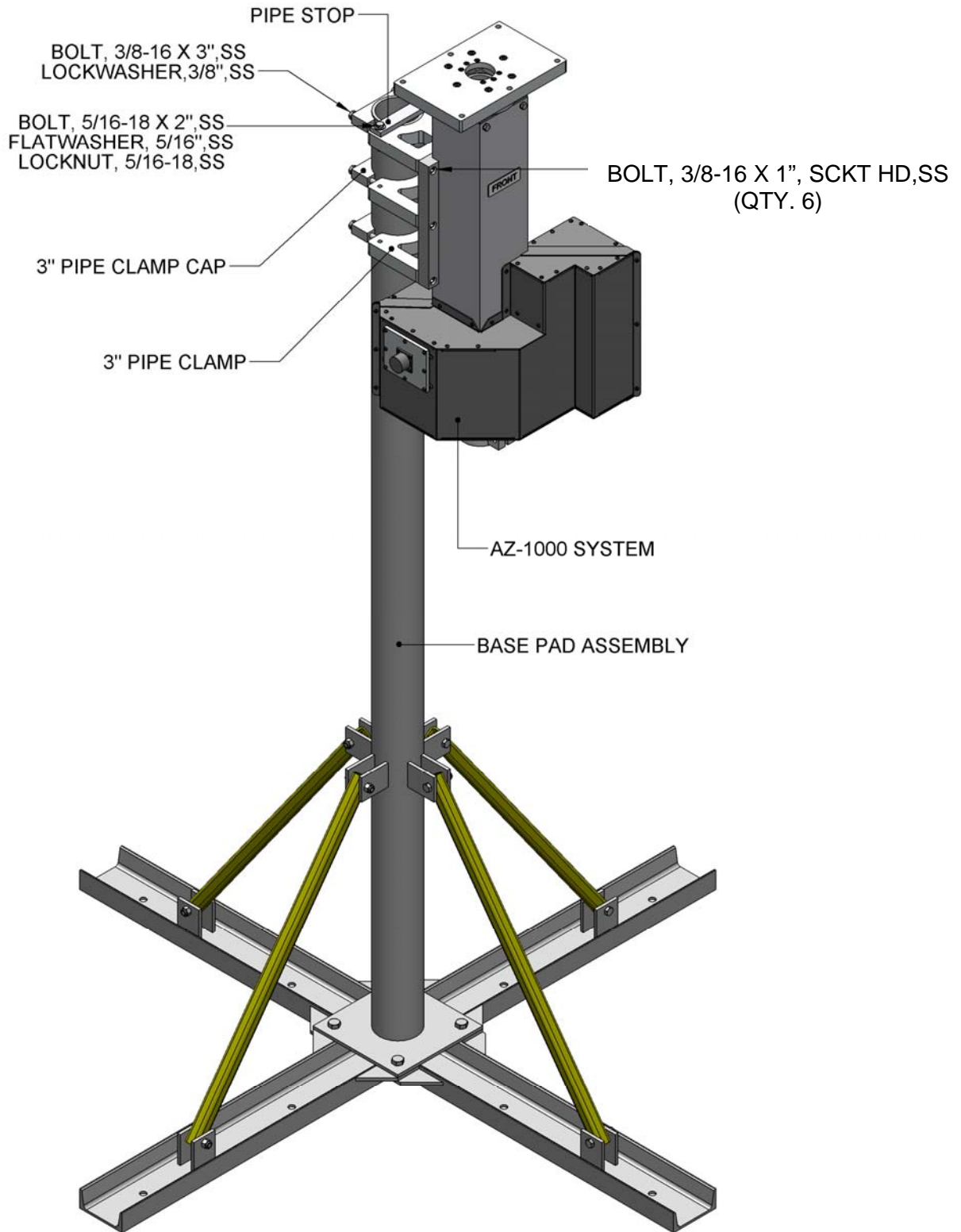
BEFORE YOU BEGIN: Look over all the DRAWINGS to get familiar with the various parts and assemblies in the system. Tools handy for assembly process: screwdriver, 11/32, 7/16, 1/2, 9/16 and 5/8" spin-tites, end wrenches and/or sockets, measuring tape.

Note:

All installations are unique in some way, which means it's OK to preassemble certain hardware, or rearrange the assembly process to meet specific site requirements. A quick review of the assembly notes and drawings should help firm up the appropriate strategy. Please remember to double-check all hardware for tightness **BEFORE** it becomes inaccessible.



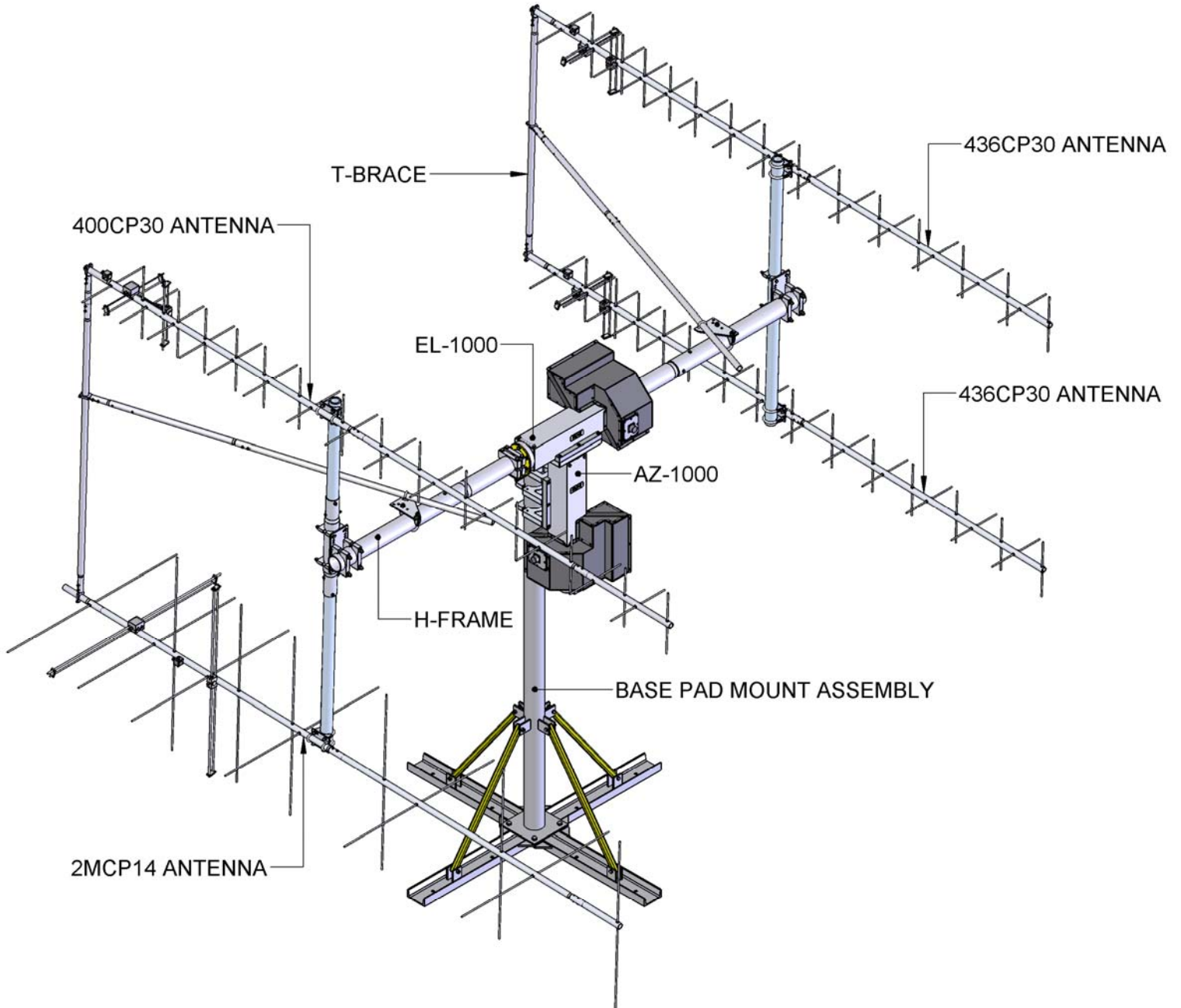
BASE PAD & AZ-1000



NOTE:

REFER TO AZEL100CB MANUAL FOR AZ/EL ASSEMBLY & ELECTRICAL WIRING INSTRUCTIONS. REFER THE H-FRAME AND T-BRACE MANUAL FOR H-FRAME ASSEMBLY INSTRUCTIONS. EACH ANTENNA WILL HAVE IT'S OWN MANUAL WITH ASSEMBLY INSTRUCTIONS.

COMPLETE SYSTEM OVERVIEW

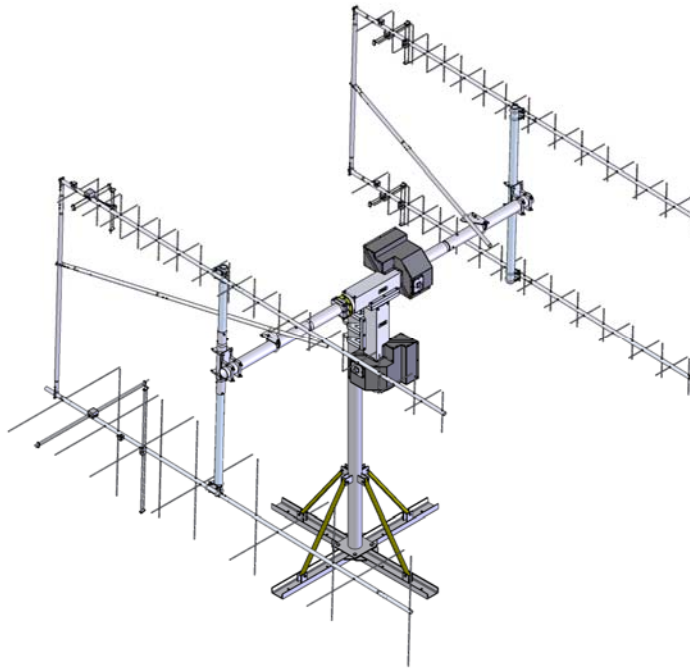


KONGSBERG SATELLITE PARTS & HARDWARE

DESCRIPTION	QTY
FG2MCP14 ANTENNA	1
FG436CP30 ANTENNA.....	2
FG400CP30 ANTENNA WITH PS-400 KIT	1
FGAE1000CB (AZ1000 & EL-1000CB) WITH CRADLE KIT, 3"	1
H-FRAME WITH T-BRACE (436CP34/2MCP14)	1
QUAD BASE WITH CONCRETE MOUNT	1
FGRC2800PRKX.....	1
PS-2M SWITCH KIT	1
PS-70CM SWITCH KIT	2
2 PORT POWER DIVIDER (70CM).....	1
UHF-400 TUNED CABLE	1
CONTROL CABLE, 4 COND. @ 250'	1
ASSEMBLY MANUAL	1

M² ANTENNA SYSTEMS, INC.
4402 N. SELLAND AVE.
FRESNO, CA 93722
(559) 432-8873 FAX: 432-3059
www.m2inc.com Email: sales@m2inc.com

12 MONTH LIMITED WARRANTY



This warranty gives you specific legal rights. You may also have other rights which will vary from state to state or province to province.

M2 warrants the **2-Axis & 3-Axis** Positioner unit against defects in material and workmanship for a **period of 12 months** from date of purchase. During the warranty period, **M2** will, at its option, either repair or replace products or components which prove to be defective. The warranty shall not apply to defects or damage resulting from:

- Improper or inadequate maintenance by user
- Improperly prepared installation site
- Unauthorized modifications or misuse
- Accident, abuse, or misapplication
- Normal wear

M2 specifically does not warrant this product for any direct, indirect, consequential, or incidental damages arising from the use or inability to use the product. Some states or provinces do not allow the exclusion or limitation of liability for consequential or incidental damages so the above limitation may not apply.

In the event repair or replacement are necessary, purchaser shall contact M2 for return authorization. In many cases this contact can simplify and expedite the repair / replacement process and help reduce costs and downtime.

The purchaser shall be responsible for packing the product properly for return and for charges to ship the product to **M2**. Always include with the shipment, a statement detailing the problem / failure and any other pertinent observations. Insuring the product for shipment is recommended. Use the original packing materials whenever possible. **M2** is responsible for charges (**in the United States**) to return the repaired / replacement product only where warranty service is involved.

M2 Antenna Systems, Inc. 4402 N. Selland Ave. Fresno, CA 93722
(559) 432-8873 Fax (559) 432-3059 Web: www.m2inc.com