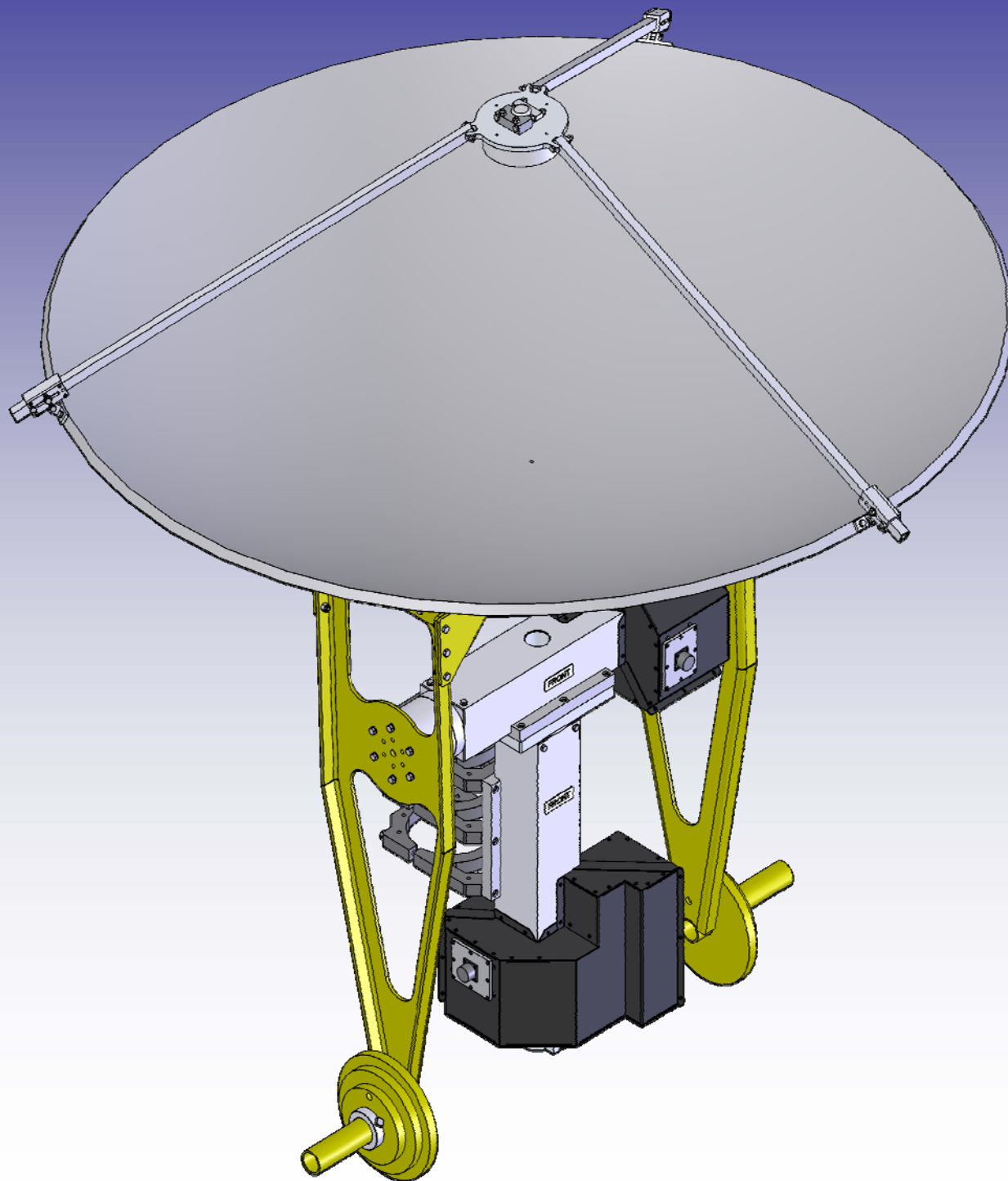
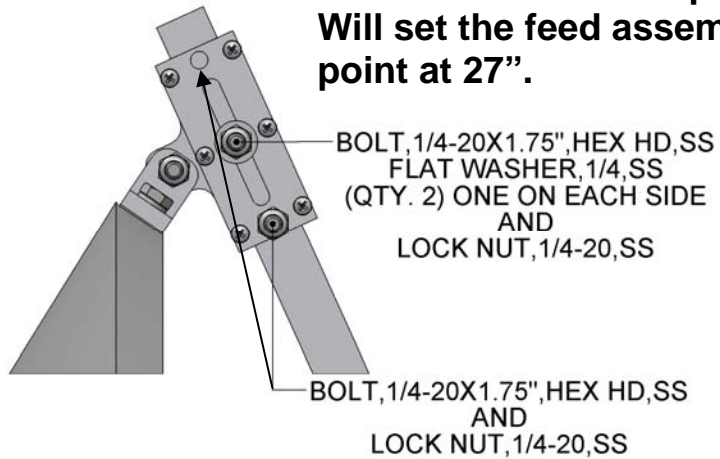
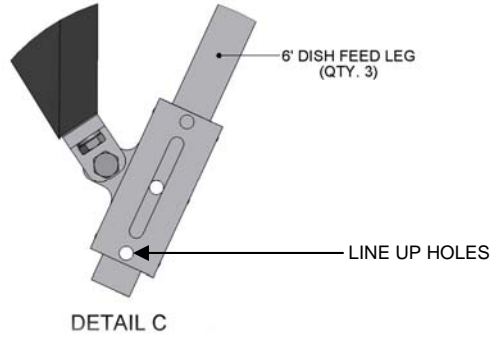
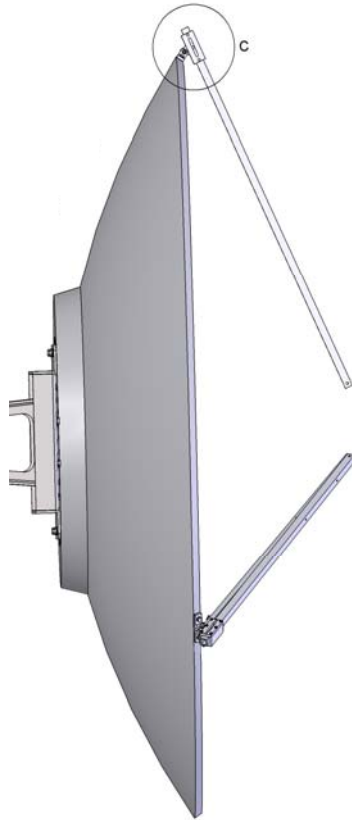




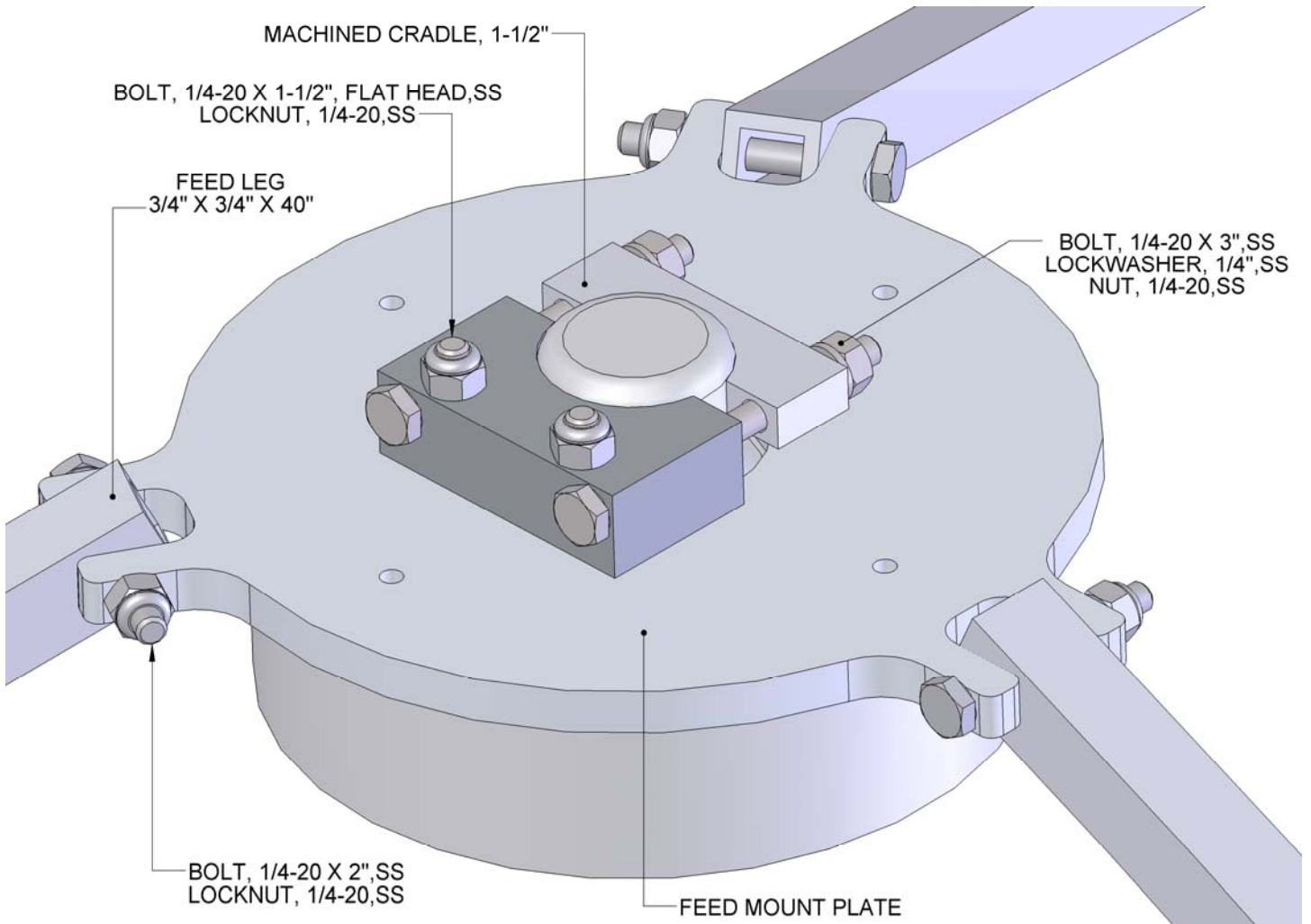
M2 Antenna Systems, Inc. Model No: SYSTEM SAMPLE 1



DISH FEED ASSEMBLY DETAILS



NOTE:
Pre-Drilled holes in spare legs,
Will set the feed assembly focal
point at 27".



MACHINED CRADLE, 1-1/2"

BOLT, 1/4-20 X 1-1/2", FLAT HEAD, SS
 LOCKNUT, 1/4-20, SS

FEED LEG
 3/4" X 3/4" X 40"

BOLT, 1/4-20 X 3", SS
 LOCKWASHER, 1/4", SS
 NUT, 1/4-20, SS

BOLT, 1/4-20 X 2", SS
 LOCKNUT, 1/4-20, SS

FEED MOUNT PLATE

PARTS & HARDWARE

<u>DESCRIPTION</u>	<u>QTY</u>
FGAZEL1000 (AZ-1000 + EL-1000 + 6" Pipe Clamp Kit + 6' Dish Kit)	1
Feed Mount Clamp, 3/4" X 2-1/2" X 1-3/8"	1
Machined Cradle, 1-1/2" (M2AMC0126)	1
Feed Mount Plate.....	1
Feed Leg, 3/4" X 3/4" SQ. X 40".....	3
CobHam (L-Band, 1.0-4.0 GHz) Feed Assembly	1
Pacific Radomes, 6' Dish	1
FGRC2800PRKX2SU	1
Control Wire 4 Conductor (250').....	2

<u>HARDWARE</u>	<u>QTY</u>
Bolt, 1/4-20 x 3" Hex Head S.S.	2
Bolt, 1/4-20 x 2" Hex Head S.S.	3
Bolt, 1/4-20 x 1-3/4" Hex Head S.S.	6
Bolt, 1/4-20 x 1-1/2" Flat Socket Head S.S.	2
Bolt, 1/4-20 x 3/4" Hex Head S.S.	6
Lock Washer, 1/4" S.S.	2
Flat Washer, 1/4" S.S.	6
Lock Nut, 1/4-20 S.S.	11
Nut, 1/4-20 S.S.	2