



# M2 Antenna Systems, Inc. Model No: FGFD-2-LC-CC-1 L/C Dual-Band Dish Feed



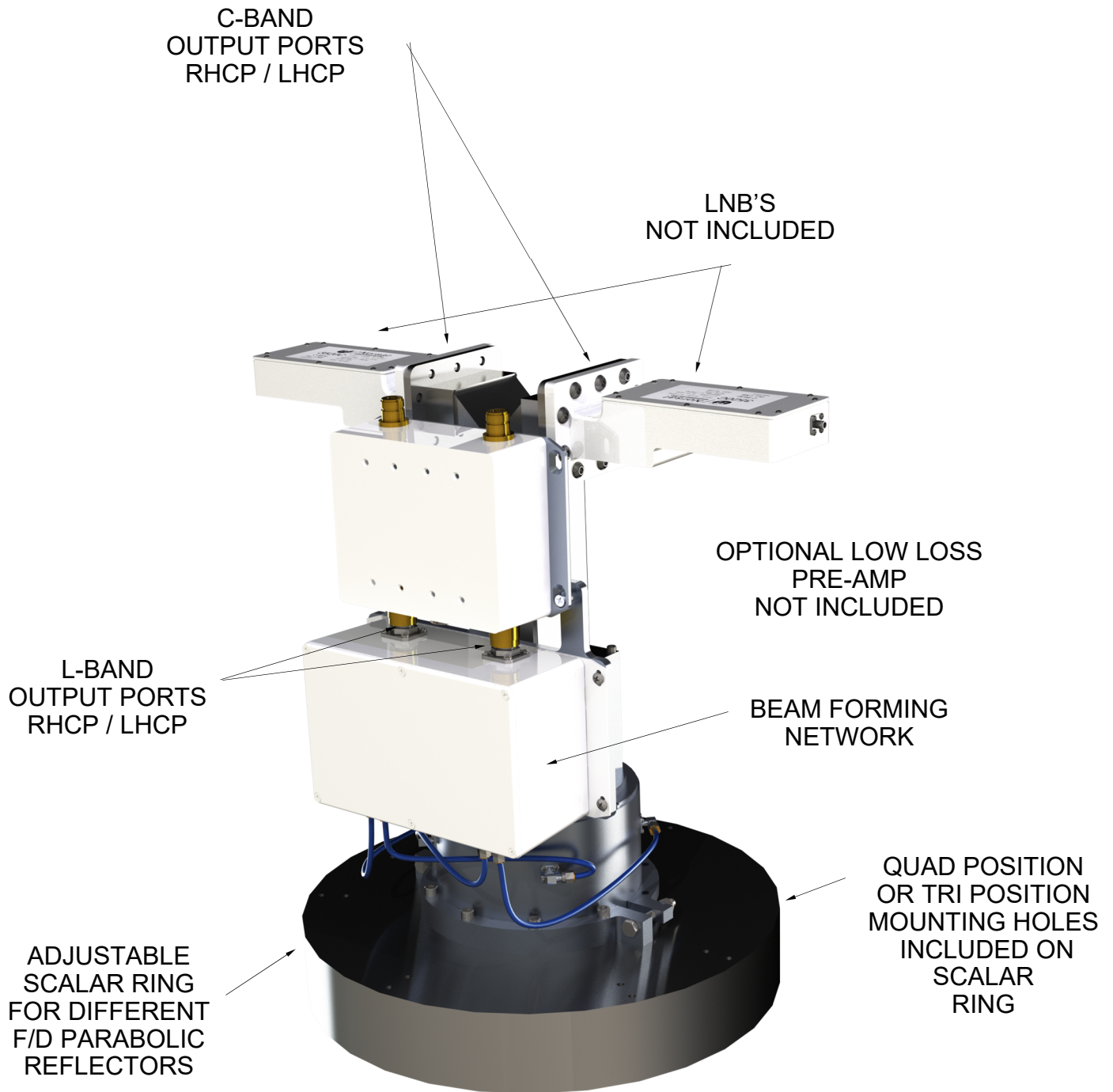
## SPECIFICATIONS:

Model Number .....	FGFD-2-LC-CC-1
L-Band Frequency Coverage.....	1.00-1.90 GHz (Customer Specific)
C-Band Frequency Coverage.....	3.4-4.8 GHz (Customer Specific)
Optimum Dish Feed F/D Ratio.....	0.325 TO 0.425
System Efficiency.....	50 TO 65%
Isolation Between Ports (L-Band).....	>15 dB
Isolation Between Ports (C-Band) .....	>20 dB
Polarity .....	RHCP / LHCP
Connector .....	Type "N" Connector (WR-229 Flange , C-Band)
Dimensions .....	18" x 14"
Weight .....	17.5 lbs.
Power Max (L-Band).....	100 Watts cont.
Power Max (C-Band) .....	2 kW cont.

## FEATURES:

The **M2 Antenna Systems, Inc. FGFD-2-LC-CC-1**, Dual-Band feed is designed for either Prime-Focus or Compact Cassegrain configured reflectors. The Dual-Circular L-Band section can support power levels in excess of 100 Watts for transmit applications. Band coverage in L-Band is from 1.0-1.9 GHz (Customer Specific), using precision "N" connectors. The Dual-Circular C-Band section can support power levels in excess of 2 kW for transmit applications and covers the 3.4—4.8 GHz (Customer Specific) frequency range. The interface for C-Band is via the industry standard WR-229 waveguide flanges. Using proprietary Frequency-Selective Surface (FFS) designs, **M2 Antenna Systems, Inc.** can fit multiple feeds on beam, increasing the capabilities of new or legacy reflectors. If your project is pressed for time, The M2 Engineering staff is ready to assist in sourcing, selection and design of the RF front end electronics, LNA's, LNB's, BUC's, Amplifiers, RF Cabling and referencing. Give us a call with your requirements today...we can help.

# L/C DUAL BAND FEED DETAIL



# L/C DUAL BAND FEED DIMENSIONS

