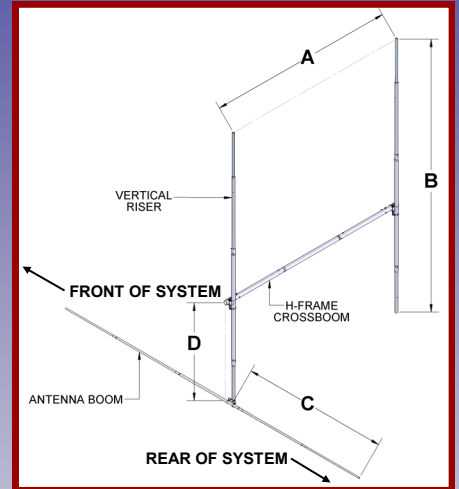
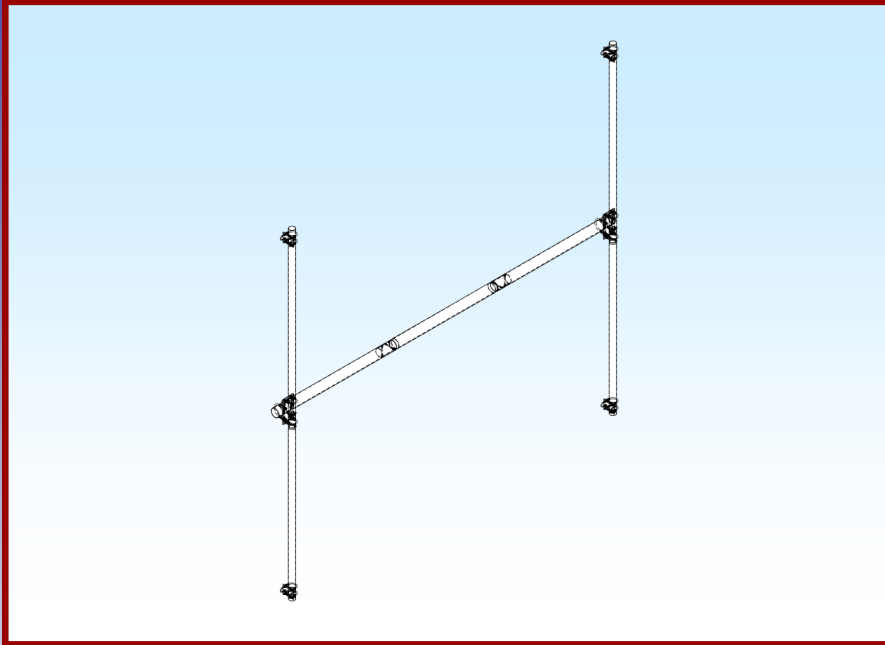




# M2 Antenna Systems, Inc.

## Model No: FGHF2M9SSB2X2



### SPECIFICATIONS:

Model ..... HF2M9SSB-2X2  
 Band..... 2M  
 Antenna..... 2M9SSB  
 T-Brace ..... N  
 Cross Boom Dia ..... 3.0”  
 Wind Load w/o Ant..... 4.21 SQ FT.

Weight..... 35 LBS  
 A Dim ..... 120”  
 B Dim ..... 120”  
 C Dim ..... N/A  
 D Dim ..... 60”

### FEATURES:

M2 has been a leader in high performance antennas since it started back in 1984. In addition to specialized antenna designs, we also developed a diverse line of multiple antenna support structures (loosely referred to as H frames) to maintain that high level of performance. Just like the antenna, the support structure becomes nearly as complex and varied. All antennas have a defined near field size and shape and in order to achieve maximum “array performance”, the support structure must accommodate the careful coupling of these near fields.

In many cases the support structure, has to meet special customer requirements like size, weight, wind speed or area, and weather issues. Our standard H frames then are a composite of these features that should satisfy most customer needs. We enjoy discussing your needs and offering our opinion regarding what best can meet your situation.

# HF2M9SSB-2X2 ASSEMBLY MANUAL

All installations are unique in some way, which means it's OK to preassemble certain hardware, or rearrange the assembly process to meet specific site requirements. A quick review of the assembly notes and drawings should help firm up the appropriate strategy. Please remember to double-check all hardware for tightness BEFORE it becomes inaccessible.

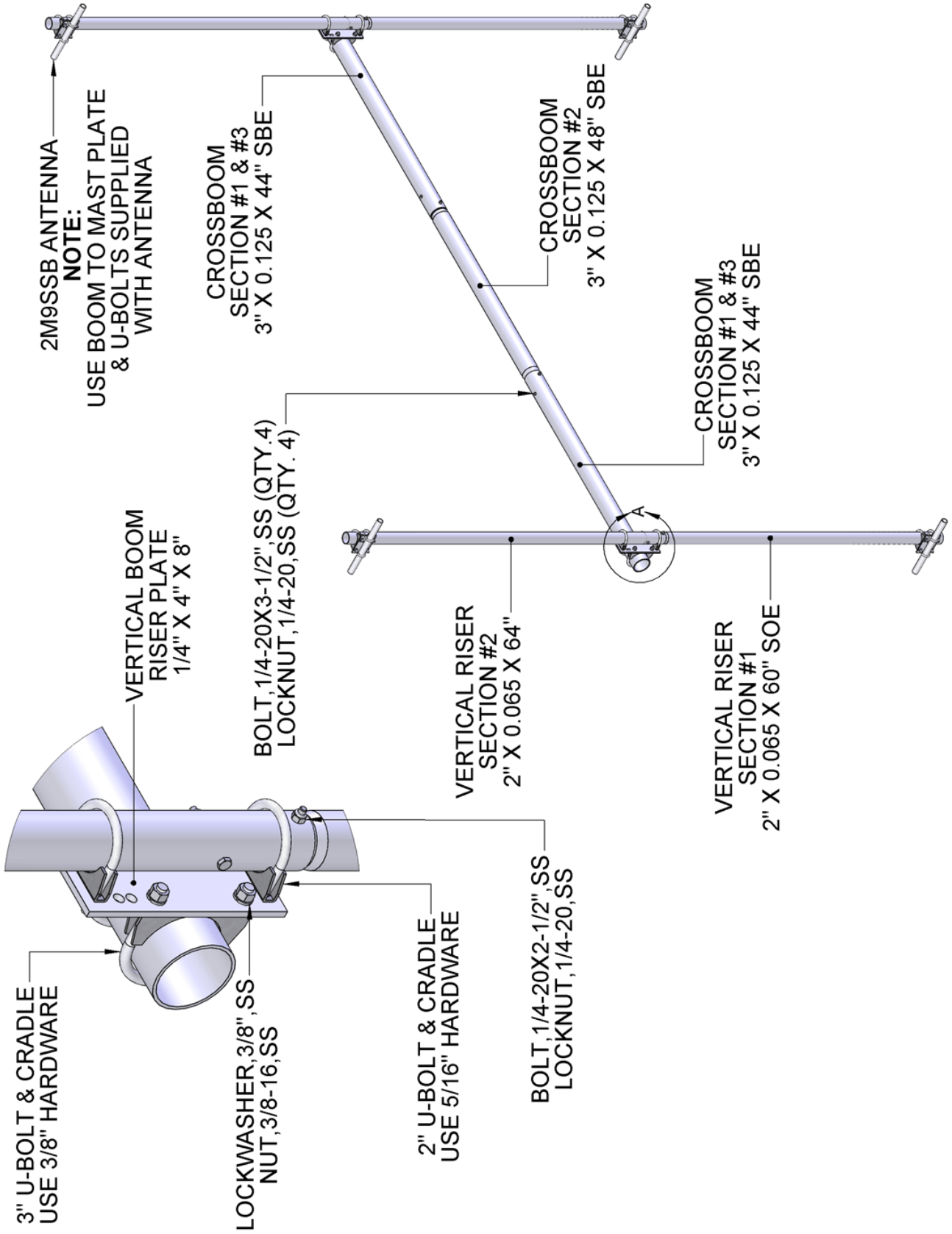
These notes assume an assembled cross boom of adequate dimensions and U-bolts of the same size for attaching H-Frame plates. Unless you ordered a COMPLETE M2 'H' FRAME. If you just ordered the vertical booms and specified a cross boom U-bolt size when ordering, some drilling or other fabrication may be necessary. Stainless locknuts or nuts and lock washers are supplied for all kit U-bolts. All other assembly hardware is stainless steel unless otherwise noted. Forged steel parts are galvanized.

***Two containers of zinc paste (Penetrox, Noalox, or equiv.) has been provided to enhance assembly. Apply a thin coat wherever two pieces of aluminum come in contact or any other electrical connections are made. It is also useful on screw and bolt threads as an ANTI SEIZE compound.***

## MOUNTING OF VERTICAL BOOMS and ANTENNAS INSTALLATION TIPS

- 1.) Attach the VERTICAL BOOM assemblies to each end of the MAIN BOOM, noting the correct spacing for the antennas in the array.
- 2.) Make sure that each vertical boom is aligned with the other so when all antennas are mounted, the left side of the array will point at the same point as the right side.
- 3.) Some tweaking of alignment and balancing will probably be necessary once the whole array is assembled and in place on the main boom.

# HF2M9SSB-2X2 ASSEMBLY DETAIL



# HF2M9SSB-2X2 PARTS & HARDWARE

DESCRIPTION	QTY.
Crossboom Section #1 & #3, 3.0" x .125 x 44" .....	2
Crossboom Section #2, 3.0" x .125 x 48" SBE .....	1
Vertical Riser Section #1, 2" x .065 x 60" SOE .....	2
Vertical Riser Section #2, 2" x .065 x 64" .....	2
Vertical Boom Riser Plate, 1/4" x 4" x 8" (M2APT0200) .....	2
U-Bolt & Cradle, 3" .....	4
U-Bolt & Cradle, 2" .....	4
<b>HARDWARE</b>	
Washer, 3/8" Split Ring SS .....	8
Nut, 3/8-16 Hex SS .....	8
Washer, 5/16" Split Ring SS .....	8
Nut, 5/16-18 Hex SS .....	8
Bolt, 1/4-20 x 3 1/2" SS .....	4
Bolt, 1/4-20 x 2-1/2" SS .....	4
Nut, 1/4-20 Nylock SS .....	8
Zinc Paste cup .....	2

Carefully manufactured by:

## **M<sup>2</sup> ANTENNA SYSTEMS, INC.**

4402 N. Selland Ave.

Fresno, CA 93722

(559) 432-8873 Fax: 432-3059

[www.m2inc.com](http://www.m2inc.com) Email: [sales@m2inc.com](mailto:sales@m2inc.com)