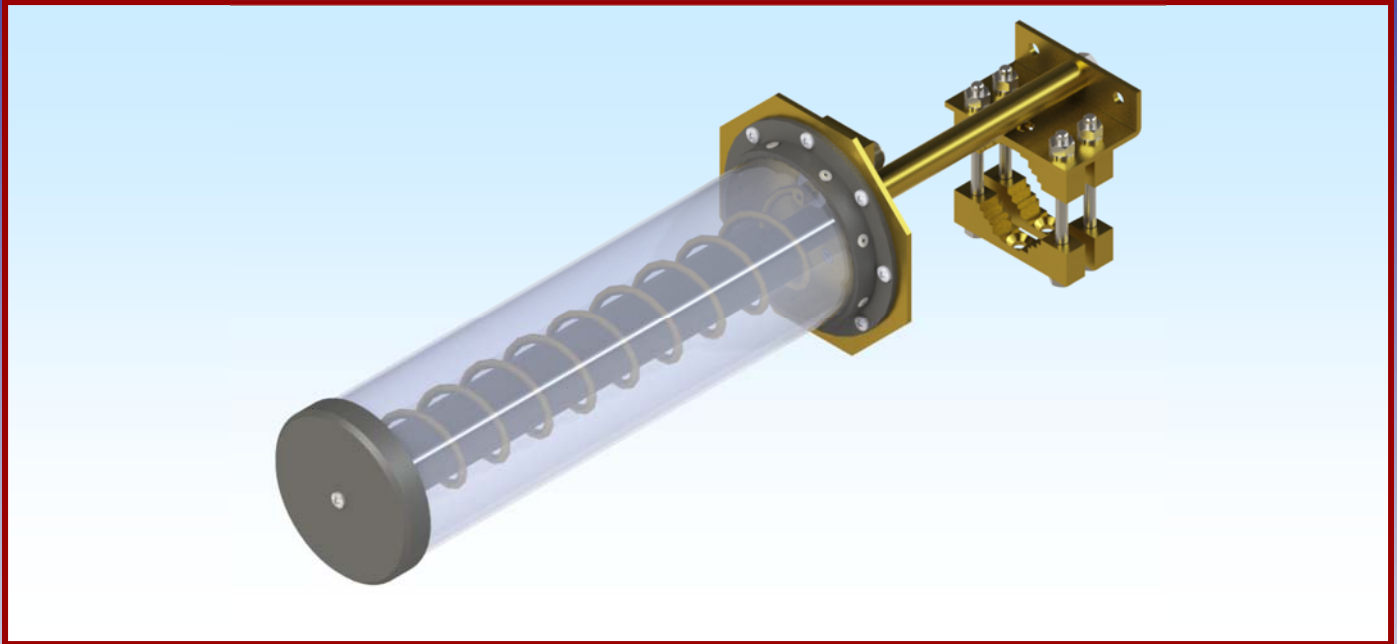




M2 Antenna Systems, Inc.

2100-2400 MHz HELICAL ANTENNA

Model No: 2100-2400-10



SPECIFICATIONS:

ModelFG2100-2400-10
 Frequency Range.....2100 To 2400 MHz
 *Gain 11 dBi
 Front to back 13 dB Nominal
 Beamwidth38° Nominal
 Feed Impedance.....50 Ohms
 Maximum VSWR.....1.5:1

Input Connector“N” Female
 Power Handling 1 kW
 Polarity.....RHCP or LHCP
 Operating Temperature-50 F To 130 F
 Wind area / Survival 100 MPH
 Weight / Ship Wt.....3 lbs. / 6 lbs.

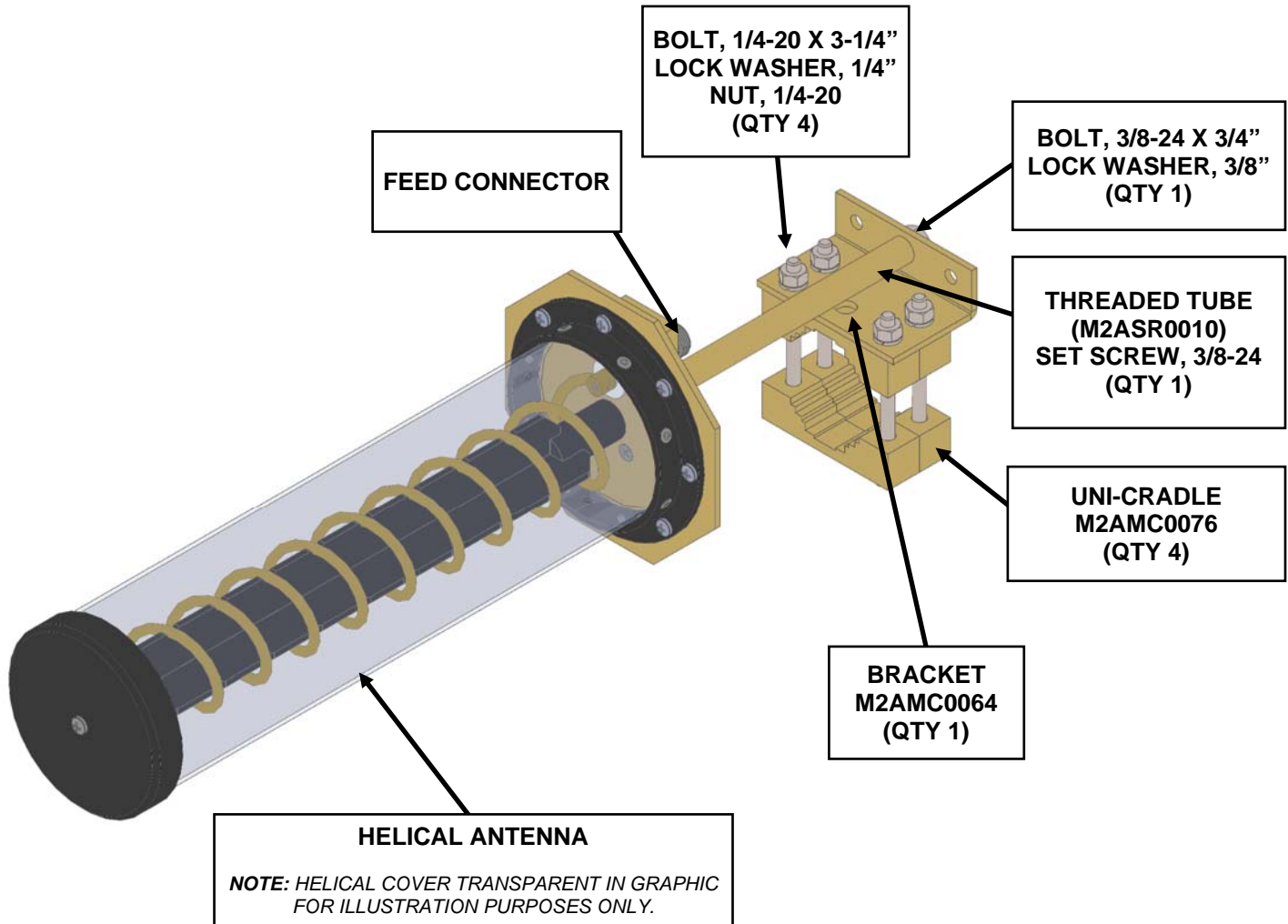
***Subtract 2.14 from dBic for dBdc**

FEATURES:

The M2 2100-2400-10 Helix antenna is broad band helix antenna that has steady gain over 600 MHz. This helix offers performance characteristics for specialized fixed and rapid deploy antenna operations within the 2100-2400 MHz band. It is perfect as a boresight source antenna for a calibrating and characterizing high gain antenna systems. The 2100-2400-10 can be order either RHCP or LHCP. The antenna is shipped completely assembled less mounting hardware.

2100-2400-10 MOUNTING INSTRUCTIONS

The FG2100-2400-10 comes preassembled and does not need to be assembled to function. The system includes some mounting hardware that can be used to mount the antenna to a tube that is 1-1/4", 1-1/2", or 2" in diameter. See diagram below. The back of the antenna has a 3/8-24 hole that also can be used to mount the antenna as desired.



2100-2400-10 PARTS AND HARDWARE

DESCRIPTION.....	QTY
HELICAL ANTENNA, 2100-2400-10	1
UNI-CRADLE, 1-1/4"/1-1/2"/2" (M2AMC0076)	4
BRACKET (M2APT0064)	1
THREADED TUBE, 1/4" X 6" (M2ASR0010).....	1

HARDWARE.....	QTY
SCREW, 3/8-24 X 1-1/2", SET, SS	1
BOLT, 3/8-24 X 3/4", SS	2
BOLT, 1/4-20 X 3-1/4", SS	4
LOCK WASHER, 1/4-20", SS.....	4
NUT, 1/4-20,SS.....	4

M² ANTENNA SYSTEMS, INC.
4402 N. SELLAND AVE.
FRESNO, CA 93722
(559) 432-8873 FAX: 432-3059
www.m2inc.com Email: sales@m2inc.com