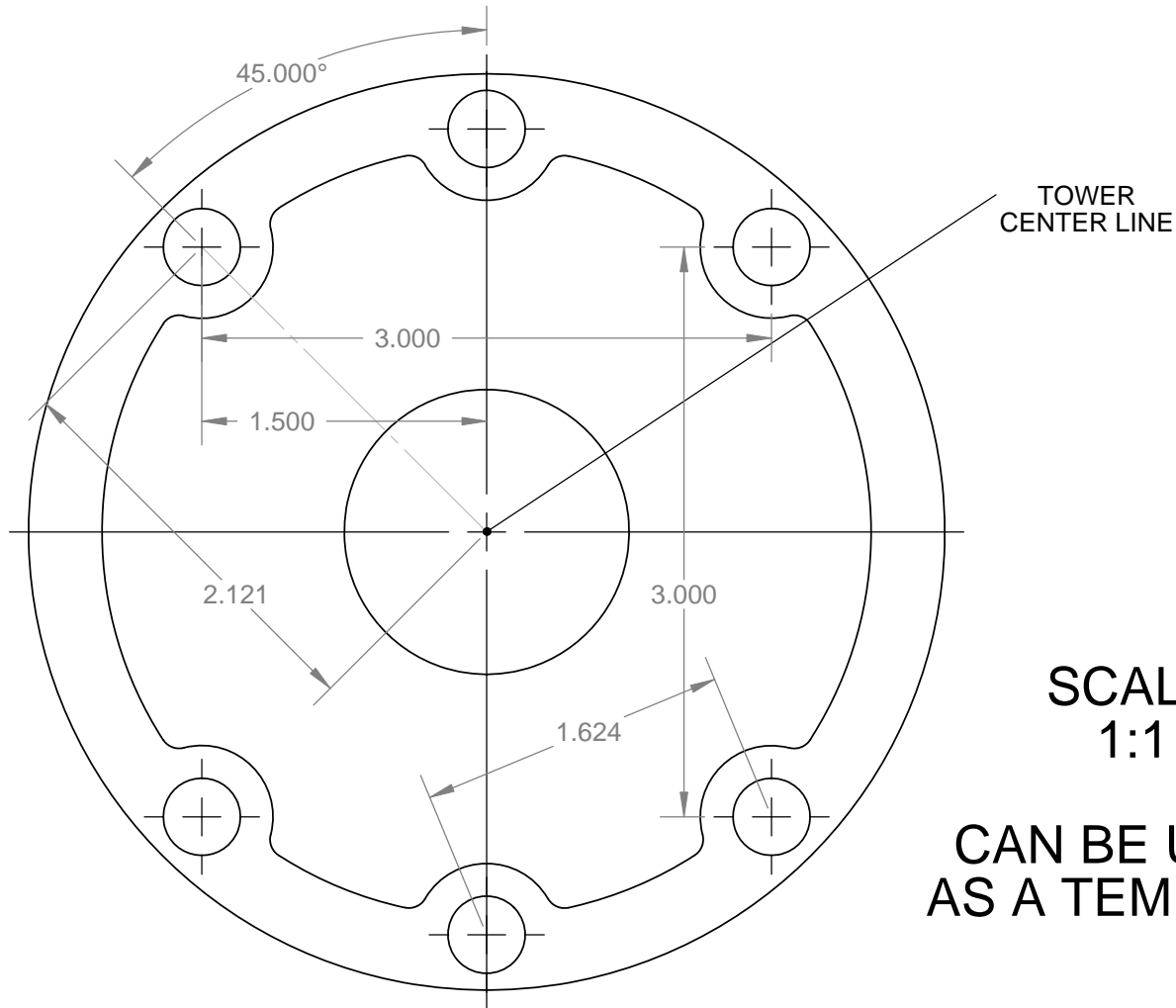


IMPORTANT!

PLEASE NOTE:

WHEN PRINTING YOU WILL NEED TO CHANGE THE PAGE SCALING TO SHOW "NONE" IN THE PRINT QUE BOX.

THIS WILL MAKE SURE THAT THE TEMPLATE IS PRINTED AT THE CORRECT SCALE.



SCALE
1:1

CAN BE USED
AS A TEMPLATE

REVISION HISTORY

REV	DESCRIBE CHANGE	DATE	UNLESS OTHERWISE SPECIFIED:	NAME	DATE	M2 ANTENNA SYS. INC.
			DIMENSIONS ARE IN INCHES TOLERANCES: FRACTIONAL ± .030 ANGULAR ± .5° TWO PLACE DECIMAL ± .015 THREE PLACE DECIMAL ± .005	DRAWN	ENG. 1/1/2006	4402 N. SELLAND AVE. FRESNO CA. 93722 559-432-8873
			INTERPRET GEOMETRIC TOLERANCING PER:	CHECKED	ENG. 1/1/2006	DESCRIPTION
			MATERIAL Material <not specified>	ENG APPR.		OR2800
			FINISH No	MFG APPR.		HOLE PATERN LAYOUT
			DO NOT SCALE DRAWING	PROPRIETARY AND CONFIDENTIAL THE INFORMATION CONTAINED IN THIS DRAWING IS THE SOLE PROPERTY OF M2 ANTENNA SYS. INC. ANY REPRODUCTION IN PART OR AS A WHOLE WITHOUT THE WRITTEN PERMISSION OF M2 ANTENNA SYS. INC. IS PROHIBITED		SIZE PART #
						A MOUNT HOLES
						WEIGHT: 0.08
						SHEET 1 OF 1