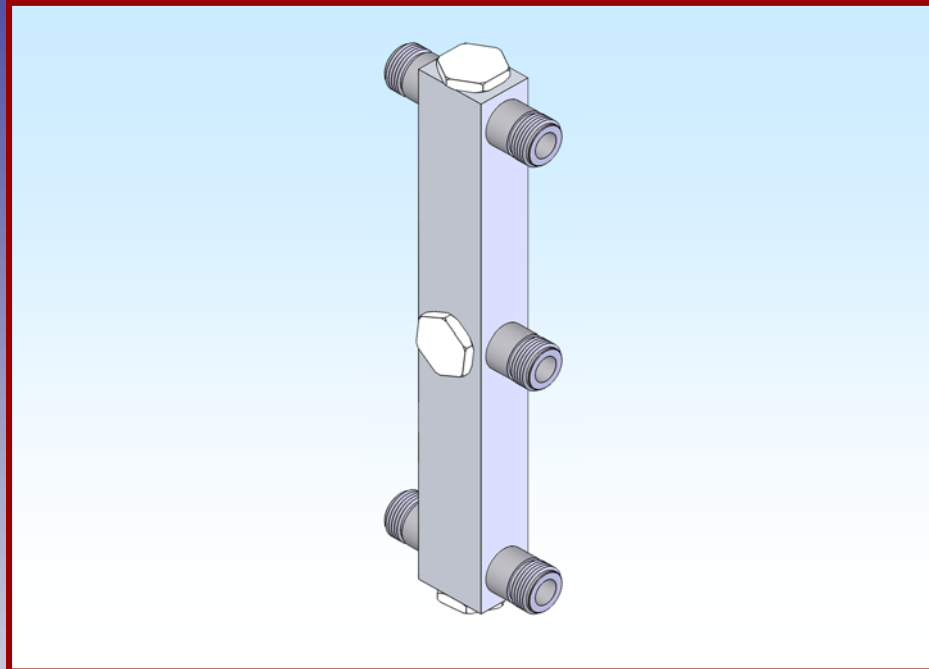




# M2 Antenna Systems, Inc.

## Model No: 902-4PRTPD



### SPECIFICATIONS:

Model .....	902-4PRTPD	Feed Impedance. ....	50 Ohm
Frequency Range.....	902-928 MHz	Maximum VSWR .....	1.2:1
Loss.....	< 0.10 dB	Power Handling .....	3kW (connector limited)
Port to Port Isolation.....	0.0 dB	Length .....	7.75"
Connectors.....	N Female	Weight / Ship Wt.....	0.50 Lbs / 1.0 Lbs.

### FEATURES:

Non-isolation combiners/splitters/dividers are extremely low loss and are designed to match two antennas that are fed in phase and pointed in the same direction. This technique can yield 3 dB gain over a single antenna less only the loss of the phasing lines and the divider. M2 dividers are made up as coaxial air line so losses are nearly immeasurable. Our power dividers also feature aluminum brazed joints, machined end blocks and 'O' ring sealed connectors. Two port dividers are also used in arrays of 8 yagis or more to combine each pair of 4 antennas. See our entire line covering frequencies through 2500 MHz.