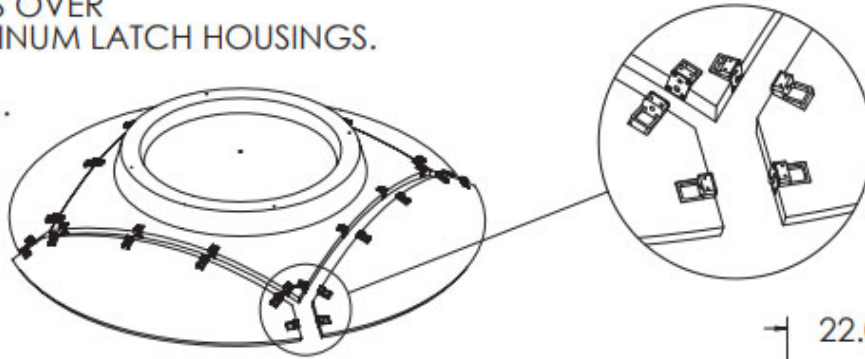
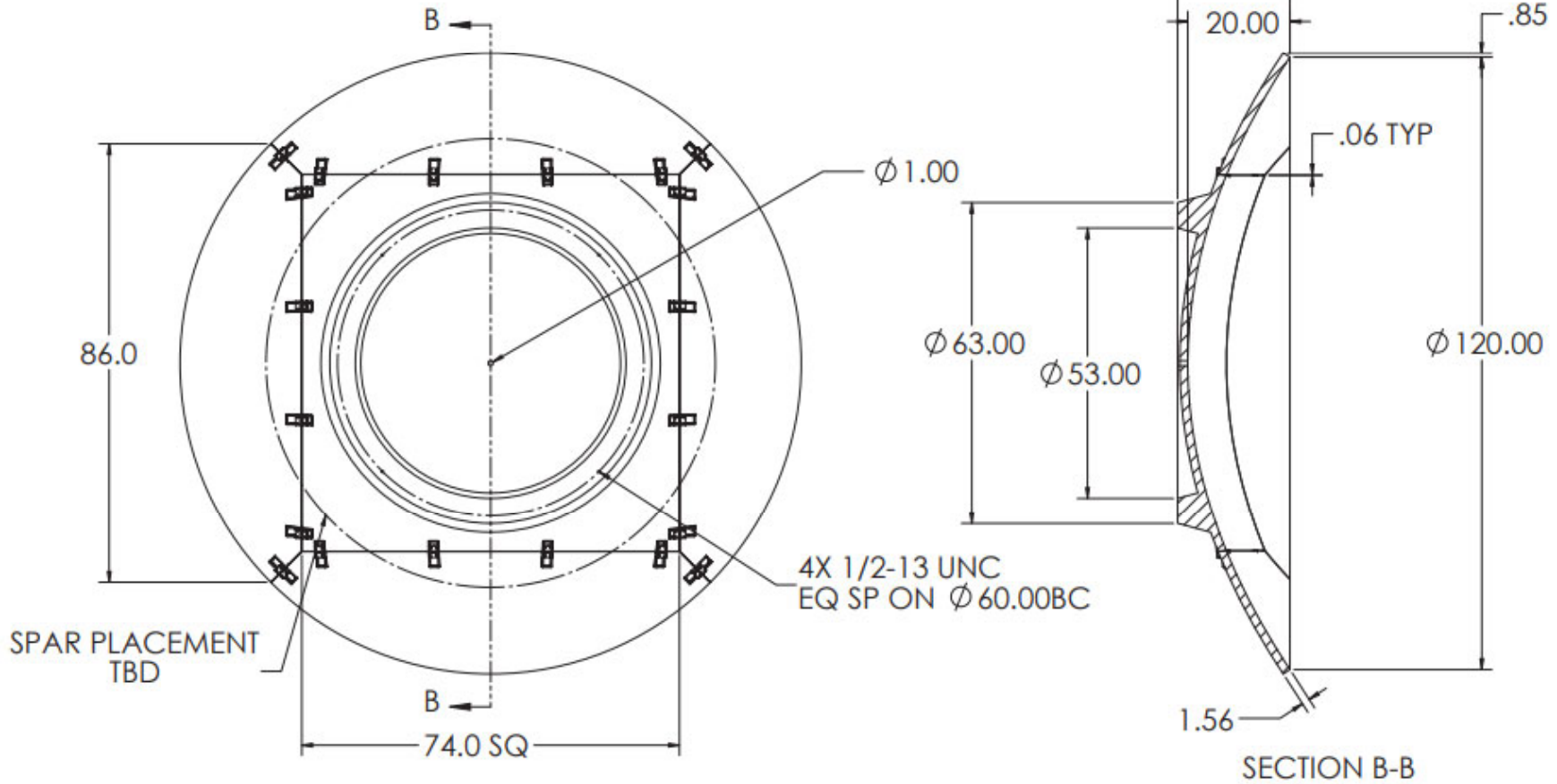


NOTES: (UNLESS OTHERWISE SPECIFIED)

1. MATERIALS: CARBON FIBER SKINS OVER HONEYCOMB CORE WITH ALUMINUM LATCH HOUSINGS.
2. FINISH: TBD
3. FOCAL LENGTH: 45.00 (f/D=.375).
4. RMS <.015.
5. ESTIMATED WEIGHT: 190 LBS.



DETAIL A
SCALE 1 : 8



SECTION B-B

UNLESS OTHERWISE SPECIFIED DIMENSIONS ARE IN INCHES		CAD GENERATED DRAWING DO NOT MANUALLY UPDATE		M2 Antenna Systems, Inc. 4402 N. Selland Ave, Fresno, CA 93722	
		TOLERANCES: DECIMALS ANGLES SURFACE XX .05 XXX .010 TEXTURE	APPROVALS DRAWN 10-4-07	DATE	
MATERIAL SEE NOTE 1		APPROVED		SIZE C DWG.	
FINISH SEE NOTE 2		APPROVED		FGM2-10-45	
NEXT ASST	USED ON	APPLICATION		SCALE: 1:16	
PROPRIETARY AND CONFIDENTIAL THE INFORMATION CONTAINED IN THIS DRAWING IS THE SOLE PROPERTY OF PACIFIC RADAR, INC. ANY REPRODUCTION IN WHOLE OR IN PART WITHOUT THE WRITTEN PERMISSION OF PACIFIC RADAR, INC. IS PROHIBITED.		DO NOT SCALE DRAWING		SHEET 1 OF 1	