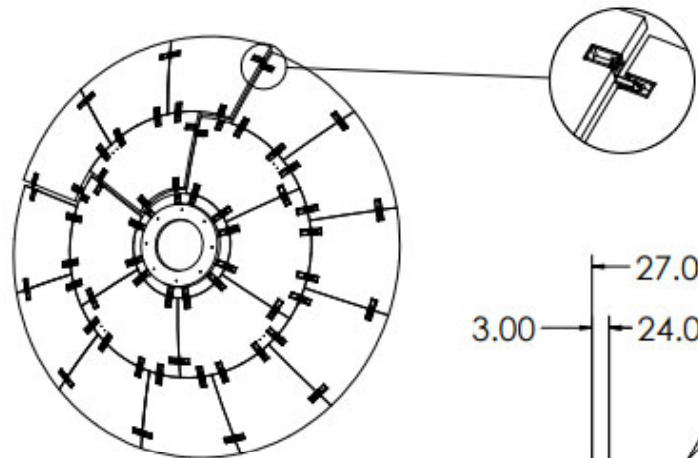
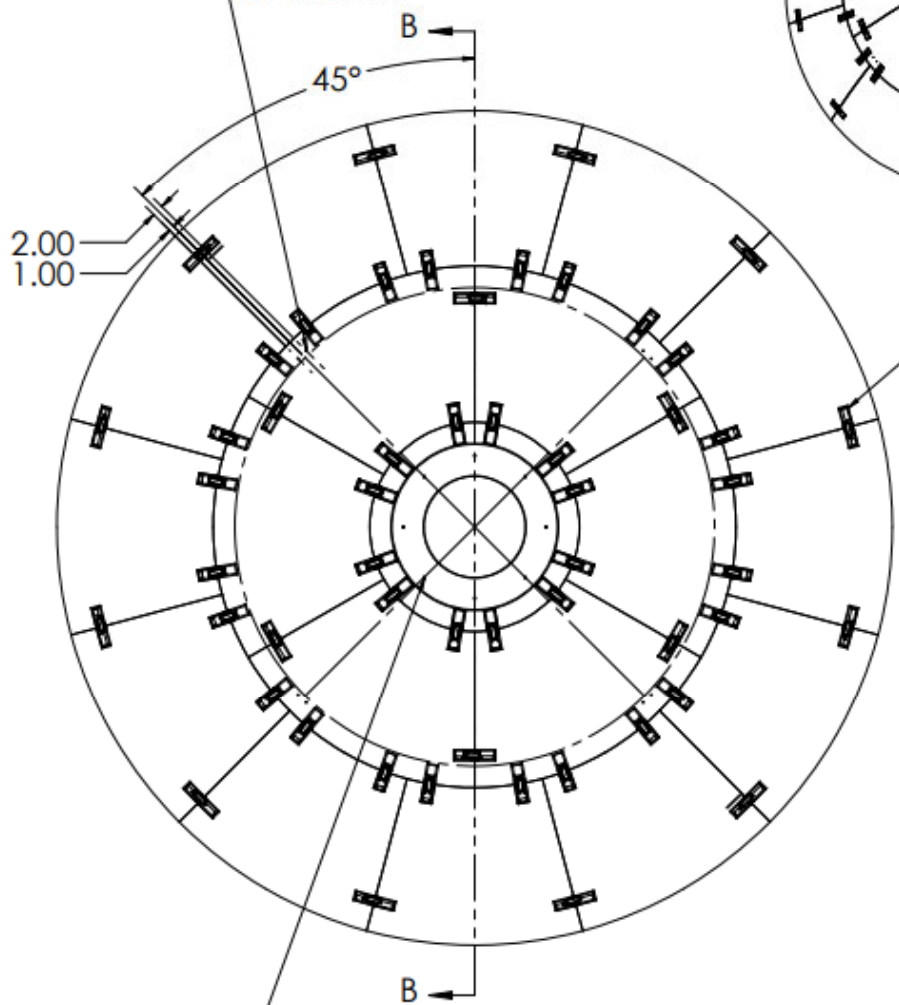


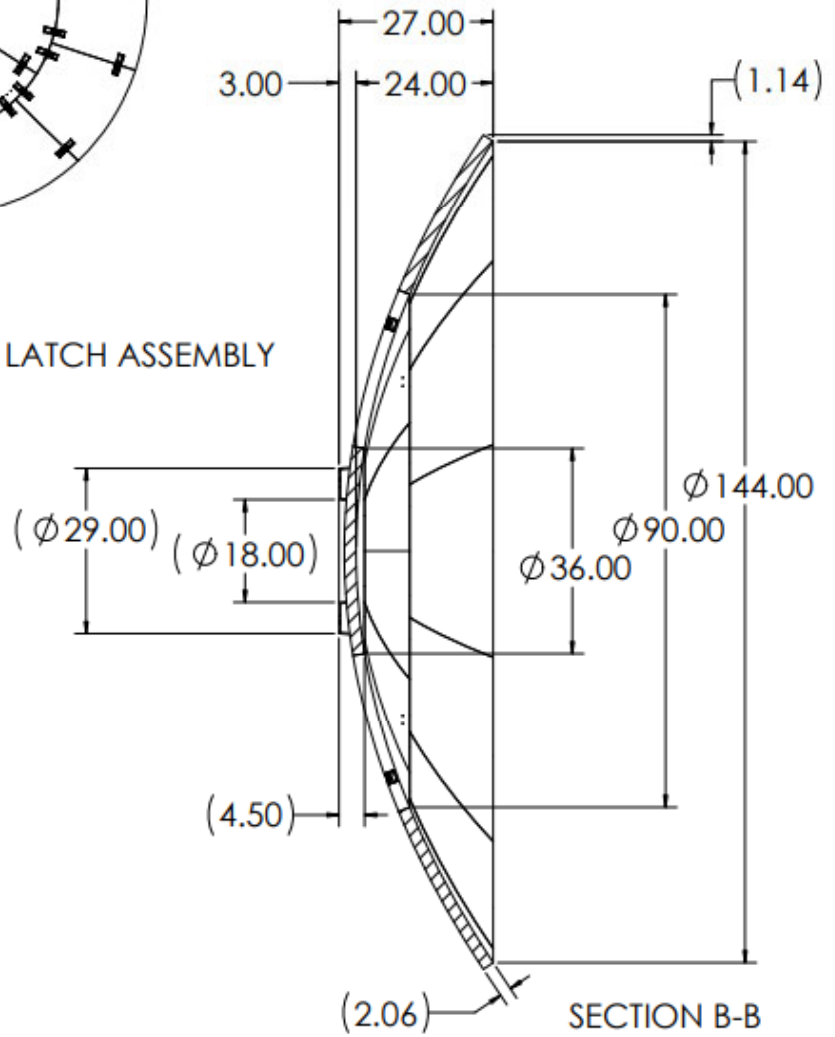
- NOTES: (UNLESS OTHERWISE SPECIFIED)
1. FOCAL LENGTH: 54.00 ±.10 f/D: .375
  2. WEIGHT: 280 LBS.
  3. RMS: <.025

DETAIL A  
SCALE 1 : 10

8X 1/4-20 UNC X 1.0 ∇  
ON Ø84.00 BC FAR SIDE  
AS SHOWN



54X LATCH ASSEMBLY



8X 3/8-16 UNC X 1.25 ∇  
EQ. SP. ON Ø25.000 B.C.

PROPRIETARY AND CONFIDENTIAL THE INFORMATION CONTAINED IN THIS DRAWING IS THE SOLE PROPERTY OF PACIFIC RADOMBS, INC. ANY REPRODUCTION IN WHOLE OR IN PART WITHOUT THE WRITTEN PERMISSION OF PACIFIC RADOMBS, INC. IS PROHIBITED.		UNLESS OTHERWISE SPECIFIED DIMENSIONS ARE IN INCHES		CAD GENERATED DRAWING DO NOT MANUALLY UPDATE		<b>M2 Antenna Systems, Inc.</b> 4402 N. Selland Ave, Fresno, CA 93722	
		TOLERANCES: DECIMALS .010 XXX_010	ANGLES	SURFACE TEXTURE	APPROVALS	DATE	<b>12 FT SEGMENT REFLECTOR</b>  SIZE DWG. <b>FGM2-12-11</b> REV SCALE: 1:16 SHEET 1 OF 1
MATERIAL			APPROVED				
FINISH			APPROVED				
DATE	ISSUED ON	APPROVED	APPROVED				
APPLICATOR		DO NOT SCALE DRAWING					